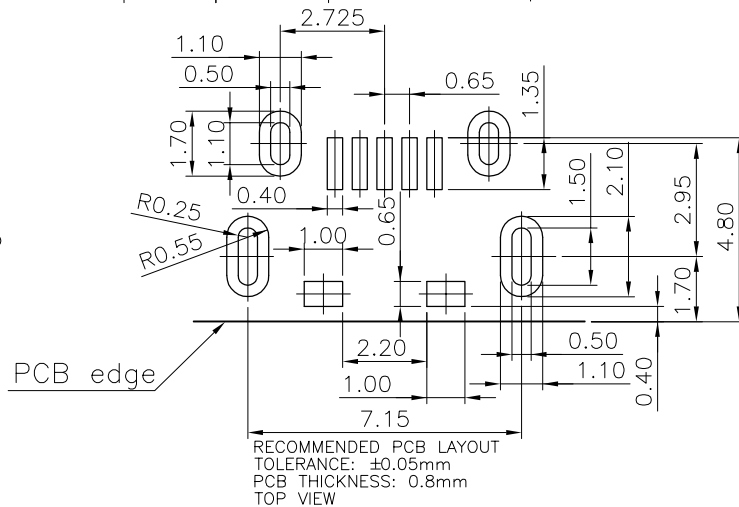
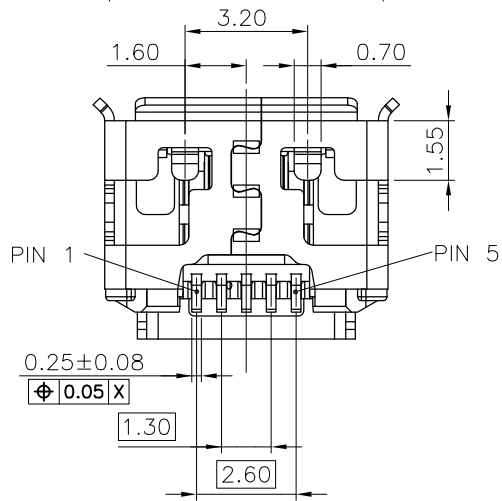
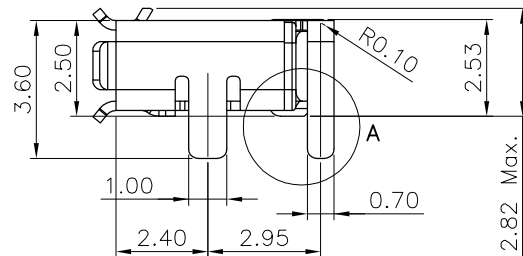
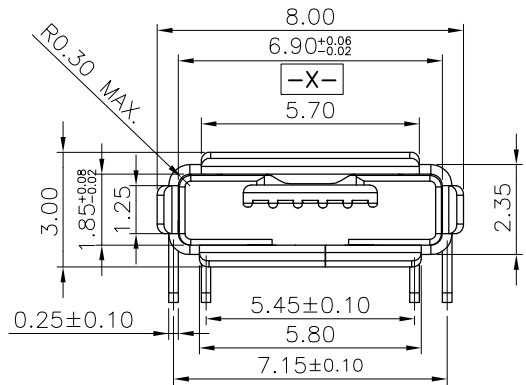


DETAIL A



SPECIFICATION

1.MATERIAL

Insulator: Thermal Plastic UL94V-0
Contacts: Copper Alloy T=0.2mm
CONTACT AREA PLATING:1u"~30u" Selective Gold
SOLDER AREA PLATING:1u" Gold
Shell: Stainless T=0.25mm Underplate Nickel 20u" Tin 100u"

2.MECHANICAL:

MATING FORCE:35N MAX.
UNMATING FORCE:10N MIN. INITIAL
8~20N AFTER 10000 CYCLES
DURABILITY:10000 CYCLES

3.ELECTRICAL

Operation voltage: 30V MAX.
Current rating: PIN 1, 5 : 1.8A ;Other pins:1A
Contact resistance: 30 mohms MAX. initial
40 mohms MAX. AFTER 10000 CYCLES
Insulation resistance: 100 Mohms min @ 500 VDC
Dielectric withstanding voltage: 100 VAC / minute
Temperature range: -30°C TO +85°C

4.USB 2.0

Part no. 317 D X 05 F X S M1 8 C C 4
1 2 3 4 5 6 7 8 9 10 11 12

1.SERIES NO.

317=Micro USB

2.D=SMT

3.GREEN OPTION

E=RoHS(Bright)

4.CONTACT NUMBER:

05=5PIN

5.CONTACT TYPE:

F=FEMALE

6.CONTACT AREA PLATING:

C=15u" GOLD

7.SOLDER AREA PLATING

S=1u" GOLD

8.TYPE OPTION:

M1=Series Running No.

9.SHELL PLATING:

8=Stainless Selective Tin

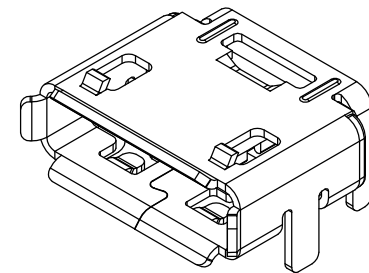
10.C=AB Type

11.PACKING OPTION:

C=TAPE&REEL

12.INSULATOR COLOR:

4=GRAY



UNLESS OTHERWISE SPECIFIED TOLERANCE	
ANG.	±5°
0.	±0.5
.0	±0.3
.00	±0.2

SCALE: AS SHOWN	UNIT: mm
DRAWN Jason_Huang	11/04/15'
CHECKED / /	
APPROVED / /	
SIZE A4	REV. H



CHANT SINCERE CO.,LTD
TEL:886-02-86471251 FAX:886-02-86472962

DRAWN NAME: Micro USB AB Type (Combo Solder)
PRODUCT NO. 317DX05FXSM18CC4
FILE NAME: C-317DG05FCSM18CC4

REV.	DESCRIPTION	DATE
1		
2		
3		
4		
5		
6		