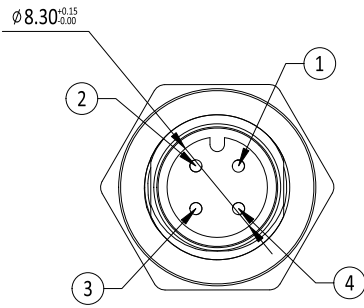
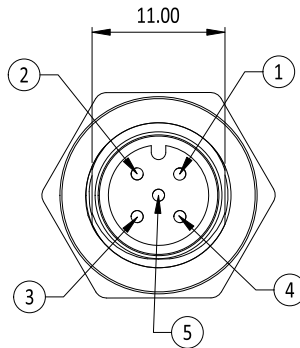


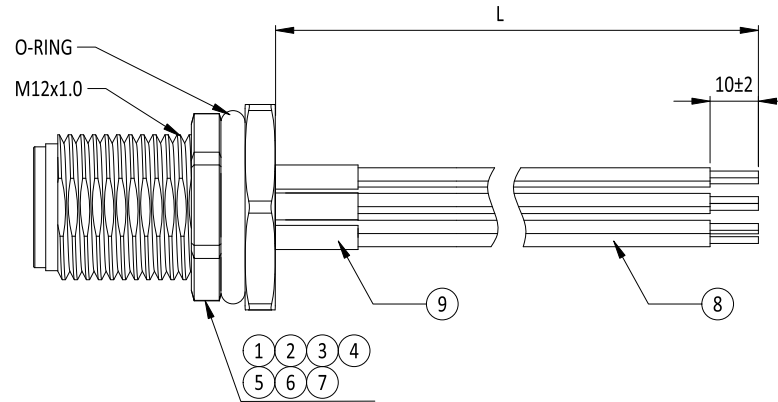
RoHS  
compliant



A-CODE(4PIN)



A-CODE(5PIN)



**SPECIFICATION**

**ELECTRICAL CHARACTERISTIC:**

- 1. CURRENT RATING(40°C): 4A
- 2. VOLTAGE RATING: 250V AC/DC

**ENVIRONMENT:**

- 1. OPERATING TEMPERATURE RANGE: -25°C TO +85°C

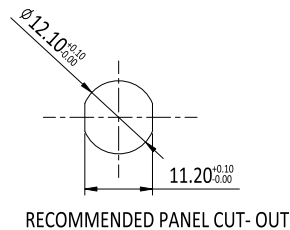
**PACKING STYLE:**

- 1. BAG

**WIRING DIAGRAM(22AWG)**

- 1 ——— BROWN
- 2 ——— WHITE
- 3 ——— BLUE
- 4 ——— BLACK
- 5 ——— GREY

9	HEAT SHRINK TUBE	BLACK
8	CABLE	GRN, BLU, BLK UL1007 AWG22 CSA COLOR: (BROWN/BLACK/WHITE/BLUE/GREY)
7	EPOXY	NAEFUMIO 7391-38 A:B=3:1
6	M12 NUT	BRASS(C3600-EH) 80u" MIN. NI
5	FEMALE COUPLING NUT PANEL_RIVET	BRASS(C3604-EH) 50u"MIN. NI
4	Ø14x1.6mm O-RING SEAL	SILICON RUBBER UL94V-0
3	FRONT BODY	M12 A-CODE: PA66(GF15%%) UL94V-0
2	CONTACT	M12 A-CODE: BRASS(C3604-EH) 1u" GOLD
1	CONNECTOR	M12 A-CODE MALE CONNECTOR
ITEM	PART	DESCRIPTION



4	1490401004A	CW04A5AAA06E50C	500±20mm	05/00	
3	1490401003A	CW04A4AAA06E50C	500±20mm	04/00	
2	1490401002A	CW04A5AAA06E1M0	1000±30mm	05/00	
1	1490401001A	CW04A4AAA06E1M0	1000±30mm	04/00	
ITEM	NEW P/N	OLD P/N	LENGTH(mm)	PIN	NOTE

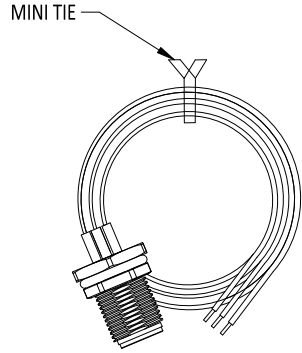
UNLESS OTHERWISE SPECIFIED TOLERANCE	SIP	 <b>CHANT SINCERE CO.,LTD</b>
ANG. ±5°	ST Crk Cpk	
0. ±0.50		
.0 ±0.30		
.00 ±0.20		
SCALE: AS SHOWN	UNIT: mm	

	C	ECN-2402068(JOLIN)ADD NEW P/N	29FEB2024	DRAWN: SUNNY_LIU	04 Mar 2024	TITLE: PDR-18024 M12 A CODE MALE FRONT MOUNT WITH LEAD 4, 5PIN PART NO. 1490401XXXX CODE: GC CUSTOMER:
	B	ECN-19A026(MATT) SEE PAGE 2/2	15OCT2019	CHECKED: PEARL_HUNG	05 Mar 2024	
	A	ECN-185023(CHERRY_H)RELEASE A VERSION	21MAY2018	APPROVED: PEARL_HUNG	11 Mar 2024	
ZONE	REVISION	DESCRIPTION	DATE	SIZE A4 SHEET 1/2	REV. C	
1	2	3	4	5	6	7
						8
						9
						10

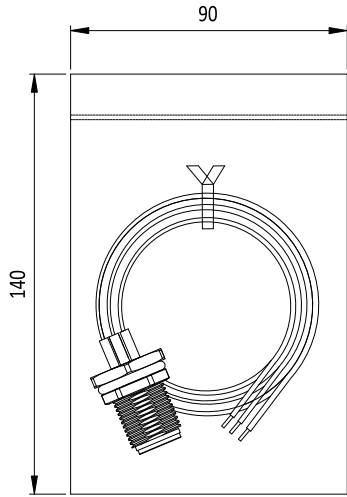
RoHS compliant



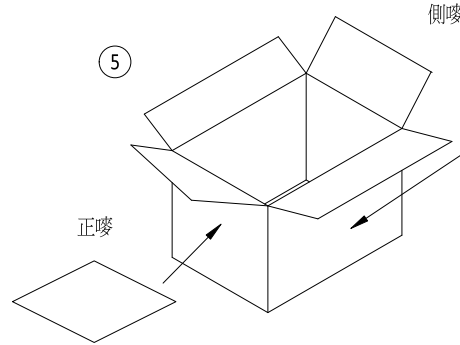
① 1. 1PC CABLE



2. 將1條CABLE裝入一個夾鏈袋內

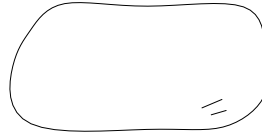


② 夾鏈袋: L140xW90xT0.08mm

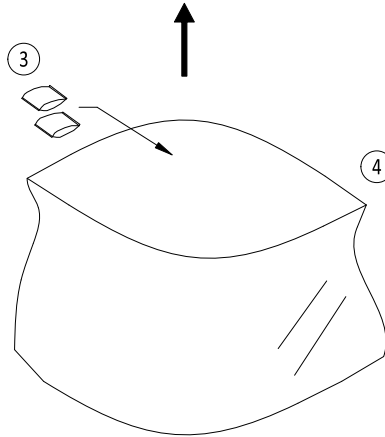


C/NO.:  
MADE IN CHINA

5. 將200PCS/CARTON, 再封箱



4. 將1包防水袋, 共200條CABLE一起放入紙箱



3. 將200條線裝入一個防水袋內, 並放入兩包乾燥劑

P/O No.:  
ITEM No.:  
Q'TY: PCS  
N.W.: KGS  
G.W.: KGS  
MEASMT:14\*\*11\*\*6"

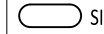
NOTES

1. MATERIALS: PET
2. PACKING: 200PCS/CARTON
3. ALL MATERIAL IN ACCORDING WITH THE RoHS ENVIRONMENT RELATED SUBSTANCES LIST CONTROLLED  
(包裝: 紙箱, 膠帶, 油墨, 真空盤, 填充物不含禁用物質)

5	M9CE356279152500	棕色外箱 (K=A)	356(L)x279(W)x152(H)	1
4	M9BE71163507009	WATERPROOF BAG	711(L)x635(W)x0.7(T)	1
3	M90000EZ0000029	干燥劑	透明	2
2	M9BE14009000819	夾鏈袋	140(L)x90(W)x0.08(T)	200
1	CW03XXAAAB02E50C	M12 A CODE MALE FRONT MOUNT WITH LEAD 4, 5PIN		200
ITEM	PART NO.	DESCRIPTION	SPECIFICATION	QUANTITY

UNLESS OTHERWISE SPECIFIED TOLERANCE

ANG. ±5°  
0. ±0.50  
.0 ±0.30  
.00 ±0.20



CHANT SINCERE CO.,LTD

SCALE: AS SHOWN UNIT: mm

DRAWN: SUNNY\_LIU 04 Mar 2024

CHECKED: PEARL\_HUNG 05 Mar 2024

APPROVED: PEARL\_HUNG 11 Mar 2024

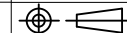
REV. C

TITLE: PDR-18024  
M12 A CODE MALE FRONT MOUNT WITH LEAD 4, 5PIN PACKING

PART NO. 1490401XXXX

CODE: GC CUSTOMER:

	C	ECN-2402068(JOLIN)ADD NEW P/N		29FEB2024
C7	B	ECN-19A026(MATT) 變更紙箱		15OCT2019
	A	ECN-185023(CHERRY_H)RELEASE A VERSION		21MAY2018
ZONE	REVISION	DESCRIPTION		DATE



SIZE A4 SHEET 2/2

A

C