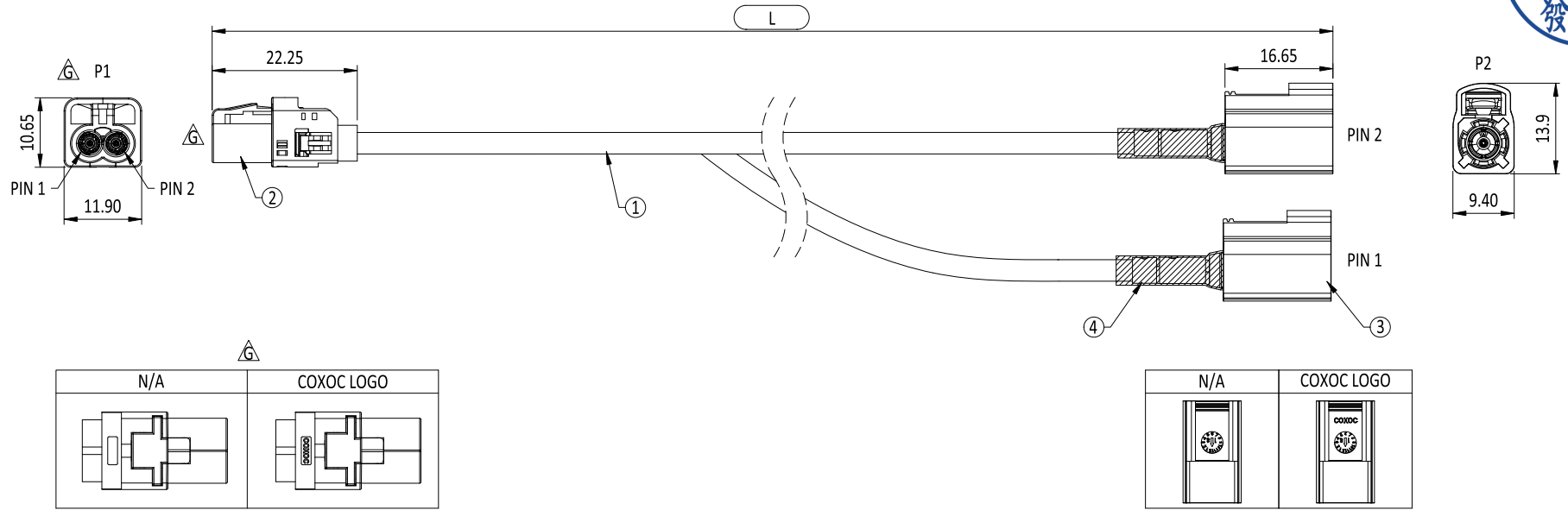


RoHS
compliant



SPECIFICATION
ELECTRICAL CHARACTERISTIC:
 1. FINISHED CABLE 100% CONDUCTIVITY TEST
 2. CHARACTERISTIC IMPEDANCE: 50 Ω
 3. TEST VOLTAGE: DC 500V
 4. OPERATE VOLTAGE: 12.6V±5%

ENVIRONMENTAL :
 1. OPERATING TEMPERATURE: -40°C TO +105°C

X=CODING(EX. Z=Z/Z CODE) , SEE PAGE2/4 & 3/4

ITEM	NEW P/N	OLD P/N	L (LENGTH)	LOGO	NOTE
6	1420404006X	N/A	1000±30mm	N/A	
5	1420404005X	N/A	1000±30mm	COXOC LOGO	
4	1420404004X	N/A	5000±100mm	COXOC LOGO	
3	1420404003X	N/A	2000±50mm	COXOC LOGO	
2-1	14204040021	N/A	1500±30mm	N/A	A/Z
2	1420404002X	N/A	1500±30mm	N/A	
1-1	14204040011	N/A	2500±50mm	N/A	A/Z
1	1420404001X	C7S5DZZ3A06E2M5	2500±50mm	N/A	

ITEM	PART	DESCRIPTION	Q'TY
4	HST	HEAT SHRINK TUBE, BLACK	2
3	FAKRA JACK	PBT UL94V-0, 30u" AU	2
2	MINI FAKRA A 1x2 JACK	PBT UL94V-0, 30u" AU	1
1	O31 CABLE	22AWG COAXIAL+AL+MYLAR+BRAID, OD: 3.3mm, JACKET: PVC BLACK	A/R

UNLESS OTHERWISE SPECIFIED TOLERANCE
 ANG. ±5°
 0. ±0.50
 .0 ±0.30
 .00 ±0.20



F2, E3	G	ECN-2509005(BENSON)REVISED MODEL	01SEP2025	DRAWN: KEVIN_ZHENG	02 Oct 2025	TITLE: PDR-22048
C6	F	ECN-2507018(LITING)ADD NEW P/N	04JUL2025	CHECKED: VICKY_HSIEH	03 Oct 2025	MINI FAKRA A 1x2 JACK TO FAKRA JACK x2 CABLE
C6	E	ECN-2406103(JOAN)ADD 1M LENGTH MATERIAL NUMBER	28JUN2024	APPROVED: JASON_HUANG	16 Oct 2025	PART NO. 1420404XXXX
ZONE	REVISION	DESCRIPTION	DATE	SIZE A4	SHEET 1/4	REV. G
1	2	3	4	5	6	7
						8
						9
						10

RoHS
compliant



*=DEVELOPING

A	B	*C	*D	*E	*F
BLACK SIMILAR RAL 9005	WHITE SIMILAR RAL 9010	BLUE SIMILAR RAL 5012	CLARET VIOLET SIMILAR RAL 4004	GREEN SIMILAR RAL 6017	BROWN SIMILAR RAL 8011
*G	*H	*J	*K	*N	Z
GREY SIMILAR RAL 7036	LIGHT PINK SIMILAR RAL 3015	BEIGE SIMILAR RAL 1001	CURRY SIMILAR RAL 1027	PASTEL GREEN SIMILAR RAL 6019	WATER BLUE SIMILAR RAL 5021

UNLESS OTHERWISE SPECIFIED TOLERANCE		SIP Crk Cpk	 CHANT SINCERE CO.,LTD
ANG.	±5°		
0.	±0.50	SCALE: 1:1	UNIT: mm
.0	±0.30	DRAWN: KEVIN_ZHENG	02 Oct 2025
.00	±0.20	CHECKED: VICKY_HSIEH	03 Oct 2025
		APPROVED: JASON_HUANG	16 Oct 2025
		SIZE A4 SHEET 2/4	REV. G
		TITLE: PDR-22048	
		MINI FAKRA A 1x2 JACK TO FAKRA JACK x2 CABLE	
		PART NO.	1420404XXX
		CODE: GC	CUSTOMER:

	G	ECN-2509005(BENSON)REVISED MODEL	01SEP2025
	F	ECN-2507018(LITING)SEE PAGE 1/4	04JUL2025
	E	ECN-2406103(JOAN)SEE PAGE 1/4	28JUN2024
ZONE	REVISION	DESCRIPTION	DATE

RoHS
compliant



*=DEVELOPING

A	B	C	D	*E	*F	G
BLACK SIMILAR RAL 9005	WHITE SIMILAR RAL 9001	BLUE SIMILAR RAL 5005	BORDEAUX VIOLET SIMILAR RAL 4004	GREEN SIMILAR RAL 6002	BROWN SIMILAR RAL 8011	GREY SIMILAR RAL 7031
H	I	*K	L	*M	*N	Z
VIOLET SIMILAR RAL 4003	BEIGE SIMILAR RAL 1001	CURRY SIMILAR RAL 1027	CARMINE RED SIMILAR RAL 3002	PASTEL ORANGE SIMILAR RAL 2003	PASTEL GREEN SIMILAR RAL 6019	WATER BLUE SIMILAR RAL 5021

UNLESS OTHERWISE SPECIFIED TOLERANCE		SIP Crk Cpk	 CHANT SINCERE CO.,LTD
ANG.	±5°		
0.	±0.50	SCALE: 1:1 UNIT: mm	
.0	±0.30	DRAWN: KEVIN_ZHENG 02 Oct 2025	
.00	±0.20	CHECKED: VICKY_HSIEH 03 Oct 2025	
APPROVED: JASON_HUANG 16 Oct 2025		TITLE: PDR-22048	
ZONE		PART NO. 1420404XXXX	
REVISION	DESCRIPTION	DATE	CODE: GC CUSTOMER:
1	2	3	4

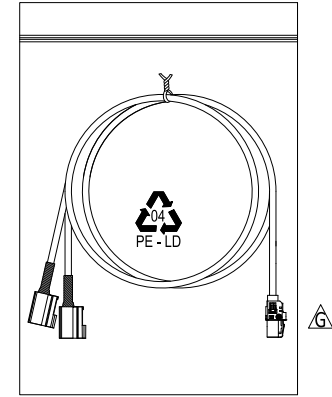
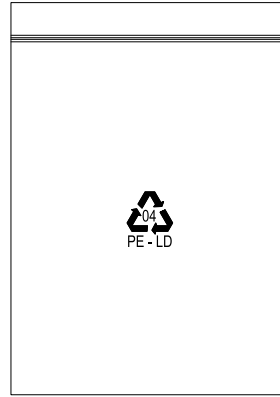
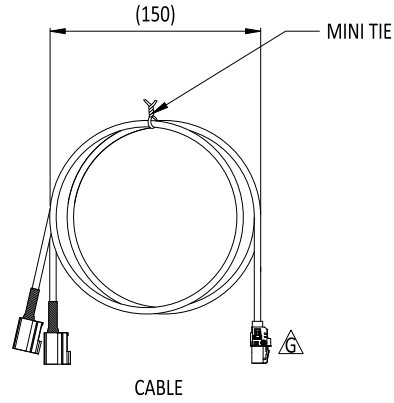
A

A

1

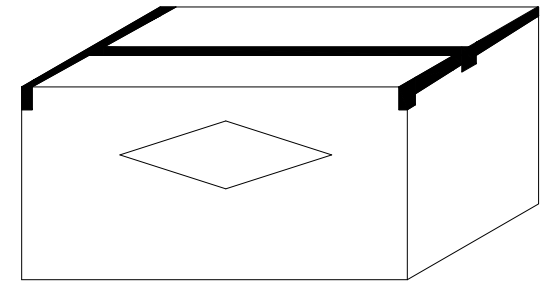
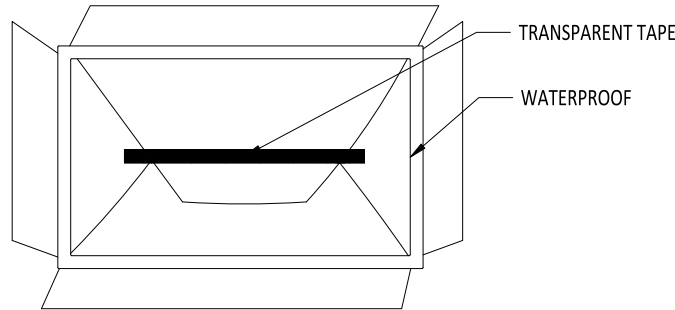
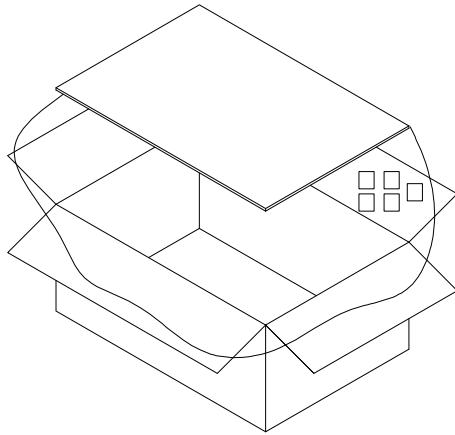
10

RoHS
compliant



ZIP BAG

1PC/ZIP BAG



(AFTER THE INSTALLED PRODUCT,
CARTON SEALING TAPE SHOULD BE TRANSPARENT)

裝箱數量依首批訂單為主

5	DESICCANT	M90000EZ0000029	2g	5 PCS	
4	WATERPROOF	M9BE71163507009	28"x25"x0.07mm	1 PC	
3	CARDBOARD(B3B)	M9EE330330000300	330x330mm	2 PCS	
2	CARTON	M9CE406330165500	16"x13"x6.5"	1 PC	
1	ZIP BAG			1PC CABLE/ZIP BAG	
ITEM	DESCRIPTION	PART NUMBER	SPECIFICATION	Q'TY	NOTE

UNLESS OTHERWISE SPECIFIED TOLERANCE		SIP		 CHANT SINCERE CO.,LTD
ANG.	±5°	ST Crmk Cpk		
0.	±0.50			
.0	±0.30			
.00	±0.20			
SCALE: AS SHOWN		UNIT: mm		
DRAWN: KEVIN_ZHENG		02 Oct 2025		TITLE: PDR-22048
CHECKED: VICKY_HSIEH		03 Oct 2025		MINI FAKRA A 1x2 JACK TO FAKRA JACK x2 CABLE
APPROVED: JASON_HUANG		16 Oct 2025		PART NO. 1420404XXXX
DATE		REV. G		CODE: GC CUSTOMER:
SIZE A4		SHEET 4/4		

F3, F9		G	ECN-2509005(BENSON)REVISED MODEL		01SEP2025
		F	ECN-2507018(LITING)SEE PAGE 1/4		04JUL2025
		E	ECN-2406103(JOAN)SEE PAGE 1/4		28JUN2024
ZONE	REVISION	DESCRIPTION			DATE
1	2	3	4	5	6