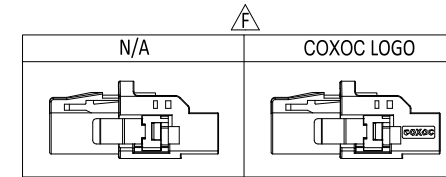
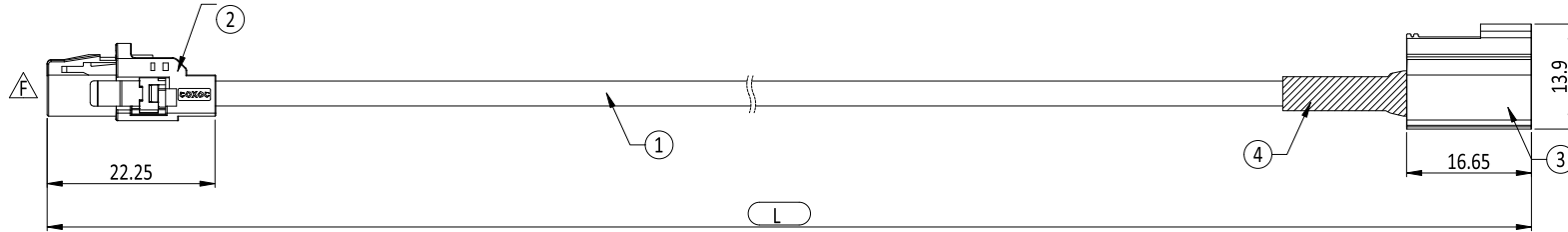
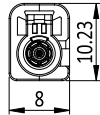


RoHS
compliant



P1



SPECIFICATION

ELECTRICAL CHARACTERISTIC:

1. FINISHED CABLE 100% CONDUCTIVITY TEST
2. CHARACTERISTIC IMPEDANCE: 50 Ω
3. TEST VOLTAGE: DC 500V
4. OPERATE VOLTAGE: 12.6V±5%

ENVIRONMENTAL CHARACTERISTIC :

1. OPERATING TEMPERATURE RANGE: -40°C TO +105°C

3	HST	HEAT SHRINK TUBE, BLACK	1
3	FAKRA	THERMOPLASTIC UL94V-0, 30u" AU	1
2	MINI FAKRA	THERMOPLASTIC UL94V-0, 30u" AU	1
1	O31 CABLE	22AWG COAXIAL+AL+MYLAR+BRAID, OD: 3.3mm, JACKET: PVC BLACK	1

ITEM	DESCRIPTION	MATERIAL	Q'TY
A5, C1, F2, E8	G	ECN-2509005(BENSON)REVISED MODEL & SPECIFICATION & BOM	02SEP2025
	E	ECN-2504099(ELLEN)SEE PAGE 2/4	22APR2025
C7	D	ECN-2403036(JOAN)ADD 2M W/ COXOC LOGO	12MAR2024
ZONE	REVISION	DESCRIPTION	DATE

ITEM	NEW P/N	OLD P/N	L (LENGTH)	LOGO	NOTE
5	1420403005Z	C7S5DZZ3A01SE2M0	2000±50mm	COXOC LOGO	
4	1420403004Z	C7S5DZZ3A01SE3M0	3000±50mm	COXOC LOGO	
3	1420403003Z	C7S5DZZ3A01SE1M0	1000±30mm	COXOC LOGO	
2	1420403002Z	C7S5DZZ3A01SE80C	800±15mm	COXOC LOGO	
1	1420403001Z	C7S5DZZ3A01E1M0	1000±30mm	N/A	

UNLESS OTHERWISE SPECIFIED TOLERANCE

ANG. ±5°
0. ±0.50
.0 ±0.30
.00 ±0.20

SIP
Cmk
Cpk

SCALE: 1:1 UNIT: mm

DRAWN: KEVIN_ZHENG 14 Oct 2025
CHECKED: VICKY_HSIEH 15 Oct 2025
APPROVED: JASON_HUANG 16 Oct 2025

TITLE: PDR-20066
MINI FAKRA A 1x1 JACK TO FAKRA JACK CABLE

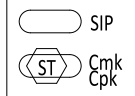
PART NO. 1420403XXXX
CODE: GC CUSTOMER:

RoHS
compliant



A	B	C	D	E	F
JET BLACK SIMILAR RAL 9005	PURE WHITE SIMILAR RAL 9010	LIGHT BLUE SIMILAR RAL 5012	BORDEAUX VIOLET SIMILAR RAL 4004	MAY GREEN SIMILAR RAL 6017	NUT BROWN SIMILAR RAL 8011
G	H	J	K	Z	
PLATINUM GREY SIMILAR RAL 7036	LIGHT PINK SIMILAR RAL 3015	BEIGE SIMILAR RAL 1001	CURRY SIMILAR RAL 1027	WATER BLUE SIMILAR RAL 5021	

UNLESS OTHERWISE SPECIFIED TOLERANCE	
ANG.	±5°
0.	±0.50
.0	±0.30
.00	±0.20

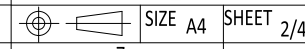


CHANT SINCERE CO.,LTD

SCALE:	2:1	UNIT:	mm
DRAWN:	KEVIN_ZHENG	14 Oct 2025	
CHECKED:	VICKY_HSIEH	15 Oct 2025	
APPROVED:	JASON_HUANG	16 Oct 2025	

TITLE:PDR-20066	
MINI FAKRA A 1x1 JACK TO FAKRA JACK CABLE	
PART NO.	1420403XXXX
CODE:	GC
CUSTOMER:	

ZONE	REVISION	DESCRIPTION	DATE
1	F	ECN-2509005(BENSON)SEE PAGE 1/4 & 2/4 &4/4	02SEP2025
2	E	ECN-2504099(ELLEN)DELETE THE ENTIRE CODING VIEW	22APR2025
3	D	ECN-2403036(JOAN)SEE PAGE 1/4	12MAR2024



SIZE A4 SHEET 2/4

REV. F

RoHS
compliant



*=DEVELOPING

A	B	C	D	*E	*F	G
JET BLACK SIMILAR RAL 9005	CREAM WHITE SIMILAR RAL 9001	SIGNAL BLUE SIMILAR RAL 5005	CLARET VIOLET SIMILAR RAL 4004	LEAF GREEN SIMILAR RAL 6002	NUT BROWN SIMILAR RAL 8011	BLUE GRAY SIMILAR RAL 7031
H	I	*K	L	*M	*N	Z
HEATHER VIOLET SIMILAR RAL 4003	BEIGE SIMILAR RAL 1001	CURRY SIMILAR RAL 1027	CARMINE RED SIMILAR RAL 3002	PASTEL ORANGE SIMILAR RAL 2003	PASTEL GREEN SIMILAR RAL 6019	WATER BLUE SIMILAR RAL 5021

UNLESS OTHERWISE SPECIFIED TOLERANCE	
ANG.	±5°
0.	±0.50
.0	±0.30
.00	±0.20

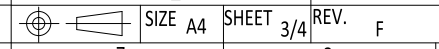


CHANT SINCERE CO.,LTD

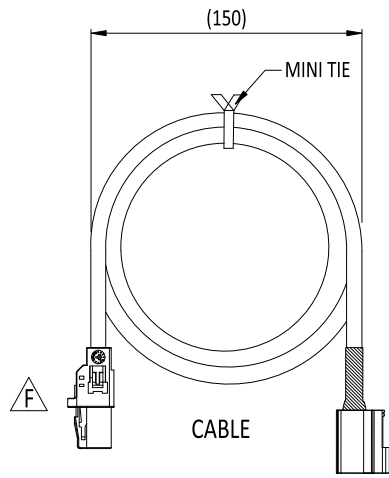
SCALE: 2:1	UNIT: mm
DRAWN: KEVIN_ZHENG	14 Oct 2025
CHECKED: VICKY_HSIEH	15 Oct 2025
APPROVED: JASON_HUANG	16 Oct 2025

TITLE: PDR-20066
MINI FAKRA A 1x1 JACK TO FAKRA JACK CABLE
PART NO. 1420403XXXX
CODE: GC CUSTOMER:

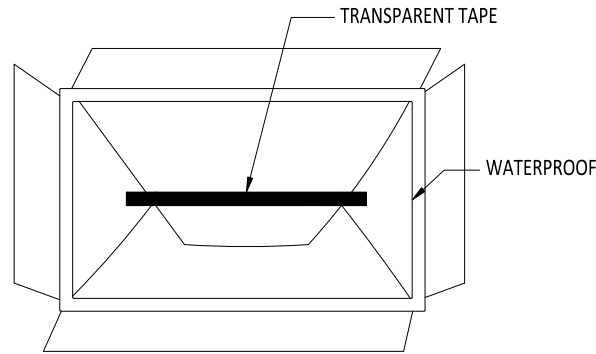
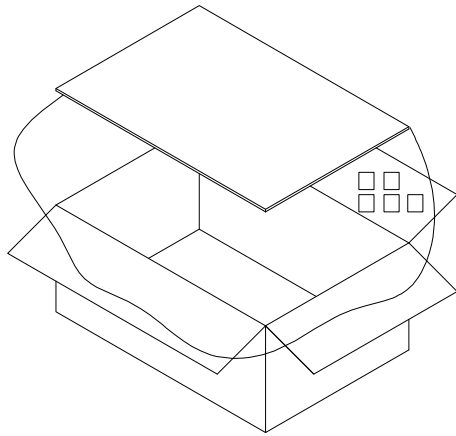
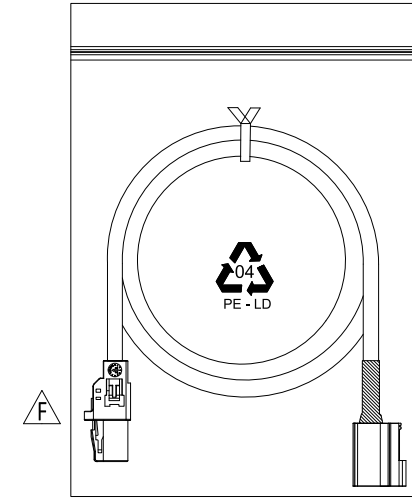
F	ECN-2509005(BENSON)SEE PAGE 1/4 & 2/4 &4/4	02SEP2025	
E	ECN-2504099(ELLEN)SEE PAGE 2/4	22APR2025	
D	ECN-2403036(JOAN)SEE PAGE 1/4	12MAR2024	
ZONE	REVISION	DESCRIPTION	DATE



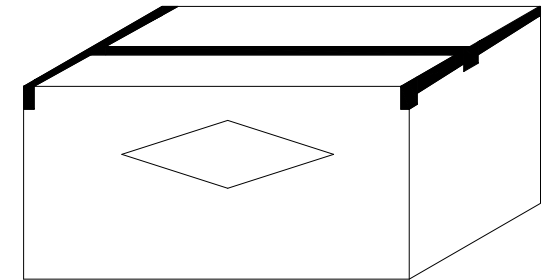
RoHS
compliant



+



(AFTER THE INSTALLED PRODUCT,
CARTON SEALING TAPE SHOULD BE TRANSPARENT)



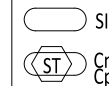
裝箱數量依首批訂單為主

5	DESICCANT	M90000EZ0000029	2g	5 PCS	
4	WATERPROOF	M9BE71163507009	28"x25"x0.07mm	1 PC	
3	CARDBOARD(B3B)	M9EE330330000300	330x330mm	2 PCS	
2	CARTON	M9CE406330165500	16"x13"x6.5"	1 PC	
1	ZIP BAG			1PC CABLE/ZIP BAG	

ITEM	DESCRIPTION	PART NUMBER	SPECIFICATION	Q'TY	NOTE
A5, E2, E8	F	ECN-2509005(BENSON)REVISED MODEL & BOM			01SEP2025
	E	ECN-2504099(ELLEN)SEE PAGE 2/4			22APR2025
	D	ECN-2403036(JOAN)SEE PAGE 1/4			12MAR2024
ZONE	REVISION	DESCRIPTION		DATE	



UNLESS OTHERWISE SPECIFIED TOLERANCE	
ANG.	±5°
0.	±0.50
.0	±0.30
.00	±0.20



CHANT SINCERE CO.,LTD

SCALE: AS SHOWN	UNIT: mm
DRAWN: KEVIN_ZHENG	14 Oct 2025
CHECKED: VICKY_HSIEH	15 Oct 2025
APPROVED: JASON_HUANG	16 Oct 2025
SIZE A4	SHEET 4/4
REV. F	

TITLE:PDR-20066	
MINI FAKRA A 1x1 JACK TO FAKRA JACK CABLE	
PART NO. 1420403XXXX	
CODE: GC	CUSTOMER: