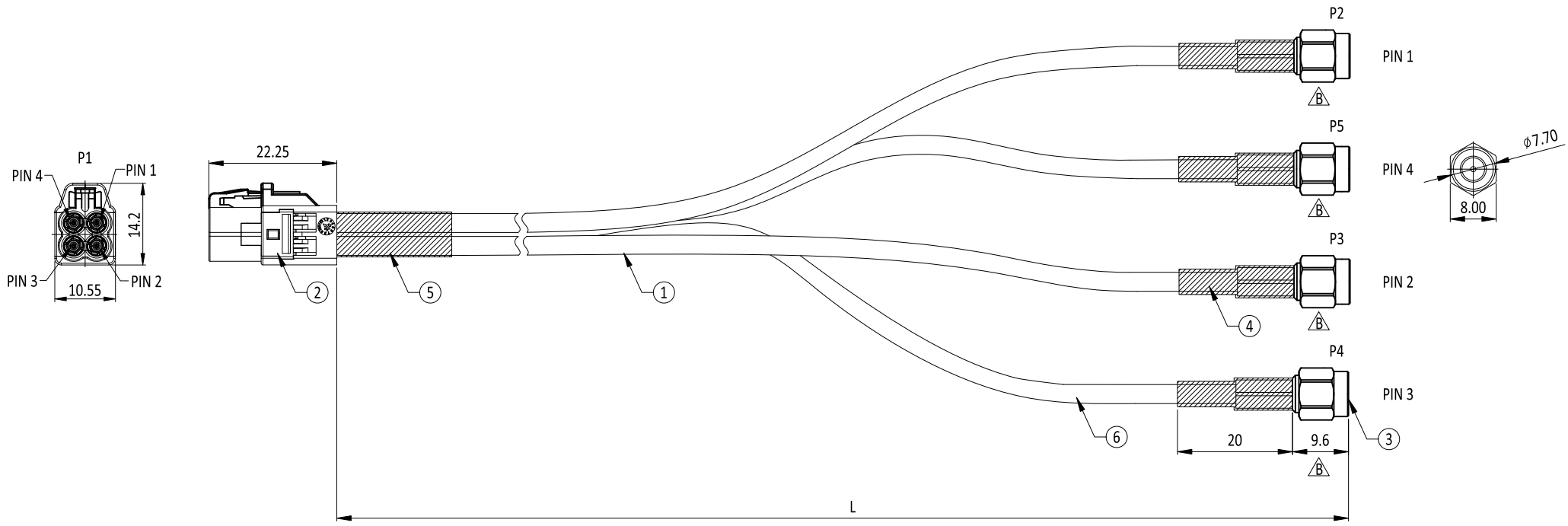


RoHS compliant



SPECIFICATION
ELECTRICAL CHARACTERISTIC:
 1. CHARACTERISTIC IMPEDANCE: 50 Ω
 2. FINISHED CABLE 100% CONDUCTIVITY TEST

ENVIRONMENTAL :
 1. OPERATING TEMPERATURE RANGE: -40°C TO +105°C

5	HST	HEAT SHRINK TUBE, BLACK	1
4	HST	HEAT SHRINK TUBE, BLACK	4
3	SMA PLUG	TEFLON, 1u" AU	4
2	MINI FAKRA A 2x2 JACK	THERMOPLASTIC, UL94V-0, 30u" AU	1
1	O31 CABLE	COAXIAL+AL+BRAID, OD: 3.3mm, 50 Ω, BLACK	4
ITEM	PART NAME	DESCRIPTION	Q'TY

X=CODING(SEE PAGE 2/3)

1	1420201011X	C7S8CX03A02AE1M0	1000±30mm	N/A	
ITEM	NEW P/N	OLD P/N	L (LENGTH)	LOGO	NOTE

UNLESS OTHERWISE SPECIFIED TOLERANCE		SIP
ANG.	±5°	ST
0.	±0.50	CmK
.0	±0.30	Cpk
.00	±0.20	

CHANT SINCERE CO.,LTD

D9, E9, F9	B	ECN-2507075(BENSON)MODIFY SMA CABLE END & SEE PAGE 3/3	16JUL2025
	A	ECN-2306070(WEIWEI)NEW ADD	26JUN2023
ZONE	REVISION	DESCRIPTION	DATE

SCALE: 1:1	UNIT: mm	TITLE: MINI FAKRA A 2x2 JACK TO SMA PLUG x4 CABLE PART NO. 1420201XXXX CODE: GC CUSTOMER:
DRAWN: KEVIN_ZHENG	17 Jul 2025	
CHECKED: VICKY_HSIEH	17 Jul 2025	
APPROVED: JASON_HUANG	17 Jul 2025	
SIZE A4	SHEET 1/3	REV. B

RoHS
compliant

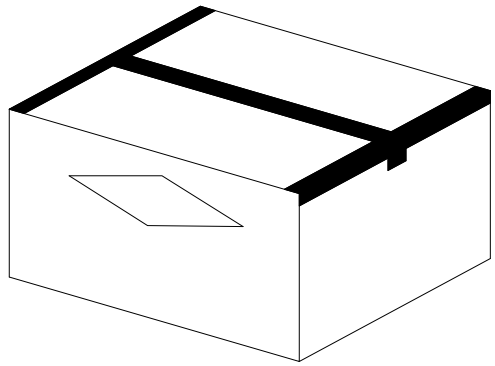
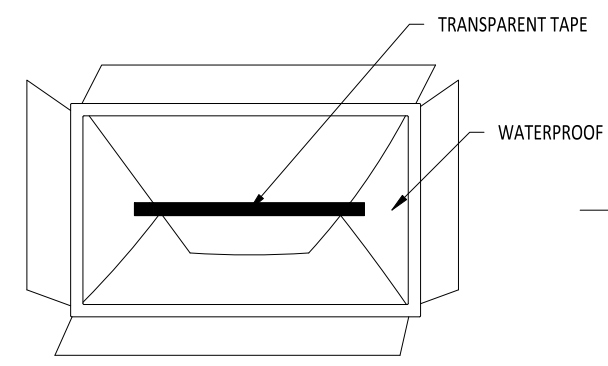
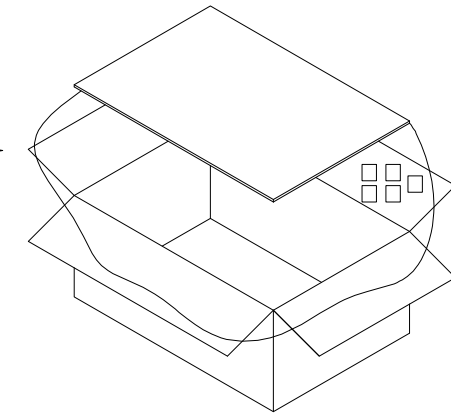
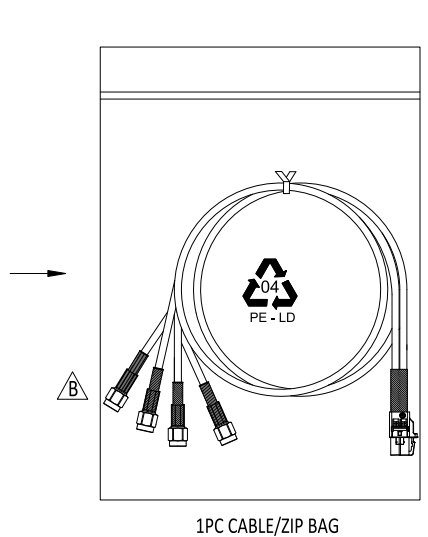
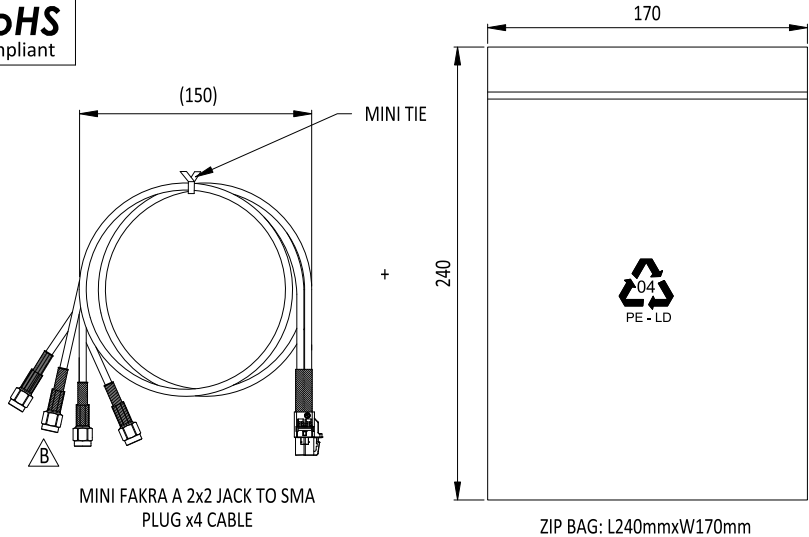


A	B	C	D	E	F	Z
JET BLACK SIMILAR RAL 9005	PURE WHITE SIMILAR RAL 9010	LIGHT BLUE SIMILAR RAL 5012	CLARET VIOLET SIMILAR RAL 4004	MAY GREEN SIMILAR RAL 6017	NUT BROWN SIMILAR RAL 8011	WATER BLUE SIMILAR RAL 5021

UNLESS OTHERWISE SPECIFIED TOLERANCE	SIP ST Cmk Cpk	 CHANT SINCERE CO.,LTD
ANG. ±5° 0. ±0.50 .0 ±0.30 .00 ±0.20	SCALE: 1:1 UNIT: mm	
DRAWN: KEVIN_ZHENG	17 Jul 2025	TITLE: MINI FAKRA A 2x2 JACK TO SMA PLUG x4 CABLE
CHECKED: VICKY_HSIEH	17 Jul 2025	PART NO. 1420201XXXX
APPROVED: JASON_HUANG	17 Jul 2025	CODE: GC CUSTOMER:
SIZE A4	SHEET 2/3	REV. B

ZONE	REVISION	DESCRIPTION	DATE
	B	ECN-2507075(BENSON)SEE PAEG 1/3	16JUL2025
	A	ECN-2306070(WEIWEI)NEW ADD	26JUN2023

RoHS compliant

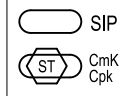


(AFTER THE INSTALLED PRODUCT, CARTON SEALING TAPE SHOULD BE TRANSPARENT)

(THE PACKING QUANTITY IS BASED ON THE FIRST BATCH OF ACTUAL ORDER)

5	DESICCANT	M90000E20000029	2g	5 PCS/CARTON	
4	WATERPROOF	M9BE71163507009	28"x25"x0.07mm	1 PC/CARTON	
3	CARDBOARD(B3B)	M9EE330330000300	330x330mm	2 PCS/CARTON	
2	CARTON	M9CE406330165500	16"x13"x6.5"	1 PC/CARTON	
1	ZIP BAG	MQR1000NB10A0850	240(L)x170(W)mm	1PC CABLE/ZIP BAG	
ITEM	DESCRIPTION	PART NUMBER	SPECIFICATION	Q'TY	NOTE

UNLESS OTHERWISE SPECIFIED TOLERANCE	
ANG.	±5°
0.	±0.50
.0	±0.30
.00	±0.20



E1, F5	B	ECN-2507075(BENSON)MODIFY SMA CABLE END & SEE PAGE 1/3	16JUL2025
	A	ECN-2306070(WEIWEI)NEW ADD	26JUN2023
ZONE	REVISION	DESCRIPTION	DATE

SCALE: AS SHOWN	UNIT: mm
DRAWN: KEVIN_ZHENG	17 Jul 2025
CHECKED: VICKY_HSIEH	17 Jul 2025
APPROVED: JASON_HUANG	17 Jul 2025
SIZE A4	SHEET 3/3
REV. B	

TITLE: MINI FAKRA A 2x2 JACK TO SMA PLUG x4 CABLE	
PART NO. 1420201XXXX	
CODE: GC	CUSTOMER: