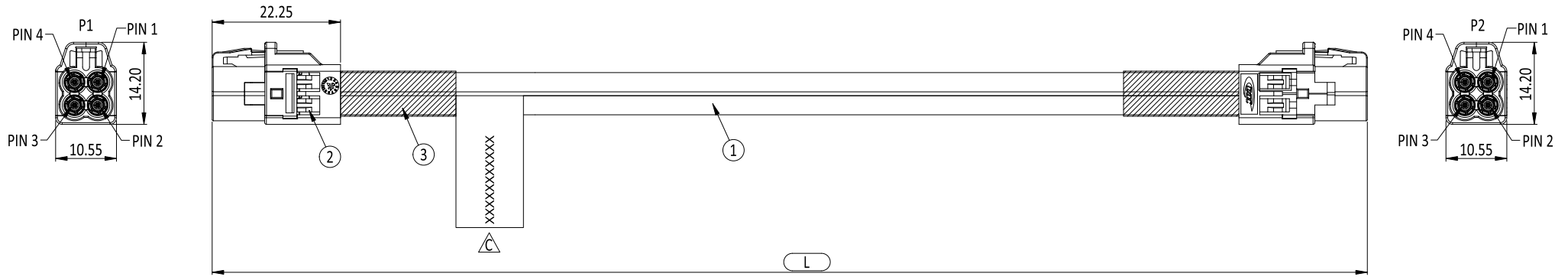


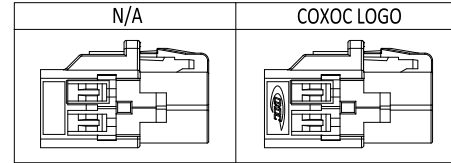
RoHS compliant



WIRING DIAGRAM	
P1	P2
PIN 1	PIN 4
PIN 2	PIN 3
PIN 3	PIN 2
PIN 4	PIN 1
SHIELD	SHIELD



TRACKING LABEL
 1. FONT: ARIAL, H=2.00mm
 2. WHITE LABEL WITH BLACK TEXT



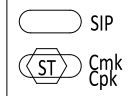
SPECIFICATION:
 ELECTRICAL TEST:
 1. CHARACTERISTIC IMPEDANCE: 50 Ω
 2. FINISHED CABLE 100% CONDUCTIVITY TEST

ENVIRONMENTAL :
 1. OPERATING TEMPERATURE RANGE: -40°C TO +105°C

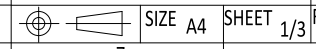
ITEM	PART NAME	DESCRIPTION	Q'TY
3	HST	HEAT SHRINK TUBE WITH GLUE, BLACK	2
2	MINI FAKRA A 2x2 JACK	THERMOPLASTIC UL94V-0, 30u" AU	2
1	O31 CABLE	22AWG COAXIAL+AL+MYLAR+BRAID, OD: 3.2mm, JACKET: PVC BLACK	A/R

ITEM	NEW P/N	OLD P/N	L (LENGTH)	LOGO	CODEING	NOTE
3	1420104003Z	N/A	1000±30mm	N/A	Z/Z	W/O LABEL
2	1420104002Z	C7S4AZZ3A02E2M0	2000±50mm	N/A	Z/Z	
1	1420104001Z	C7S4AZZ3A02E1M0	1000±30mm	N/A	Z/Z	

UNLESS OTHERWISE SPECIFIED TOLERANCE
 ANG. ±5°
 0. ±0.50
 .0 ±0.30
 .00 ±0.20



ZONE	REVISION	DESCRIPTION	DATE	SCALE:	UNIT:	TITLE:	PART NO.	CODE:	CUSTOMER:
D2, D4, E4	D	ECN-2601099(VICKY)ADD P/N 1420104003Z	28JAN2026	1:1	mm	PDR-20053	1420104XXXX	GC	
	C	ECN-2409030(LITING)ADD PIN DEFINE & LABEL	10SEP2024	DRAWN: KEVIN_ZHENG	29 Jan 2026	MINI FAKRA A 2x2 JACK CABLE			
	B	ECN-2311020(TINA)ADD NEW P/N	09NOV2023	CHECKED: PEARL_HUNG	11 Mar 2026				
				APPROVED: PEARL_HUNG	11 Mar 2026				



RoHS
compliant



A	B	C	D	E	F	Z
JET BLACK SIMILAR RAL 9005	PURE WHITE SIMILAR RAL 9010	LIGHT BLUE SIMILAR RAL 5012	CLARET VIOLET SIMILAR RAL 4004	MAY GREEN SIMILAR RAL 6017	NUT BROWN SIMILAR RAL 8011	WATER BLUE SIMILAR RAL 5021

UNLESS OTHERWISE SPECIFIED TOLERANCE		SIP Crmk Cpk	 CHANT SINCERE CO.,LTD
ANG.	±5°		
0.	±0.50	SCALE: AS SHOWN UNIT: mm	
.0	±0.30	DRAWN: KEVIN_ZHENG 29 Jan 2026	
.00	±0.20	CHECKED: PEARL_HUNG 11 Mar 2026	
APPROVED: PEARL_HUNG 11 Mar 2026		TITLE: PDR-20053	
ZONE		PART NO. 1420104XXXX	
REVISION		CODE: GC CUSTOMER:	
DESCRIPTION		DATE	
SIZE A4 SHEET 2/3		REV. D	

D	ECN-2601099(VICKY)SEE PAGE 1/3	28JAN2026
C	ECN-2409030(LITING)SEE PAGE 1/3	10SEP2024
B	ECN-2311020(TINA)SEE PAGE 1/3	09NOV2023

1 2 3 4 5 6 7 8 9 10

G

F

E

D

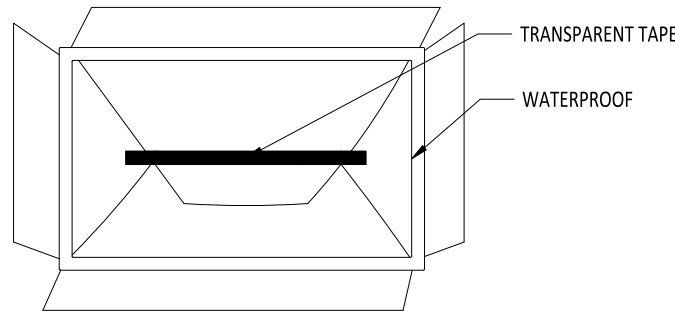
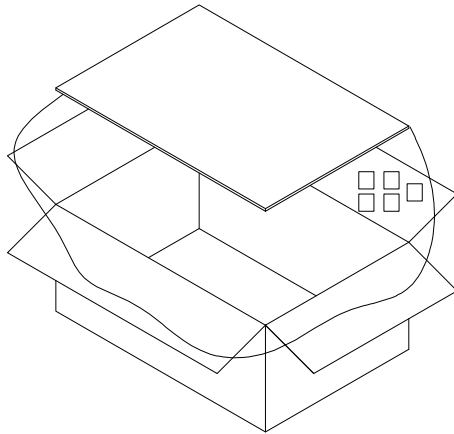
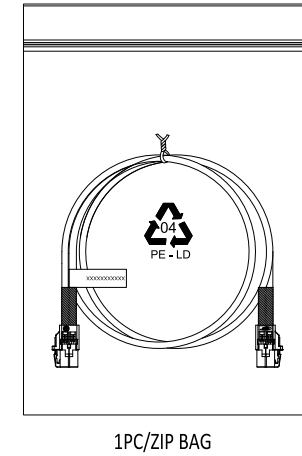
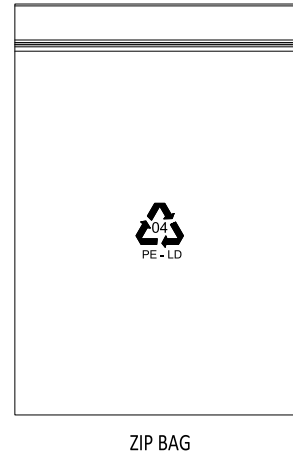
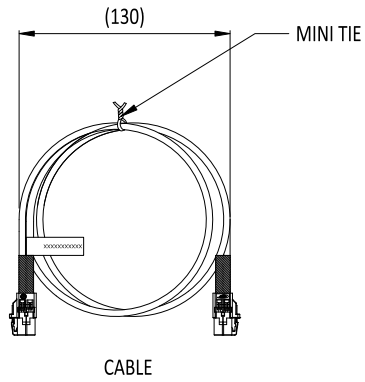
C

B

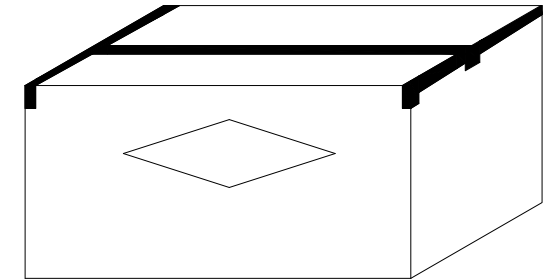
A

1 2 3 4 5 6 7 8 9 10

RoHS
compliant



(AFTER THE INSTALLED PRODUCT, CARTON SEALING TAPE SHOULD BE TRANSPARENT)

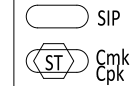


(PACKAGE BY FACTORY)

5	DESICCANT	M90000EZ0000029	2g	5 PCS/CARTON
4	WATERPROOF	M9BE71163507009	28"x25"x0.07mm	1 PC/CARTON
3	CARDBOARD(B3B)	M9EE330330000300	330x330mm	2 PCS/CARTON
2	CARTON	M9CE406330165500	16"x13"x6.5"	1 PC/CARTON
1	ZIP BAG			1PC/ZIP BAG

ITEM	DESCRIPTION	PART NUMBER	SPECIFICATION	Q'TY	NOTE
		D	ECN-2601099(VICKY)SEE PAGE 1/3		28JAN2026
		C	ECN-2409030(LITING)SEE PAGE 1/3		10SEP2024
		B	ECN-2311020(TINA)SEE PAGE 1/3		09NOV2023
	ZONE	REVISION	DESCRIPTION	DATE	

UNLESS OTHERWISE SPECIFIED TOLERANCE	
ANG.	±5°
0.	±0.50
.0	±0.30
.00	±0.20



CHANT SINCERE CO.,LTD

SCALE: AS SHOWN	UNIT: mm
DRAWN: KEVIN_ZHENG	29 Jan 2026
CHECKED: PEARL_HUNG	11 Mar 2026
APPROVED: PEARL_HUNG	11 Mar 2026
SIZE A4 SHEET 3/3	REV. D

TITLE: PDR-20053	MINI FAKRA A 2x2 JACK CABLE
PART NO. 1420104XXXX	
CODE: GC	CUSTOMER: