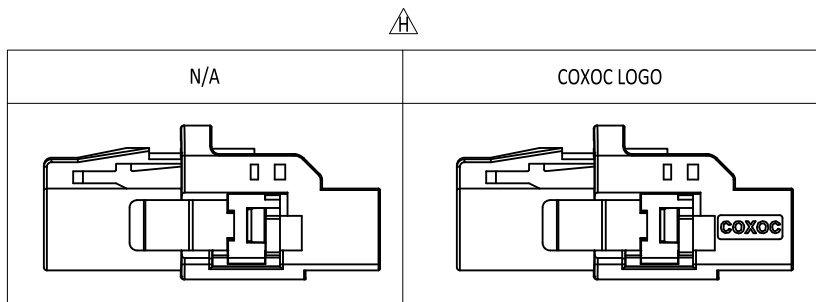
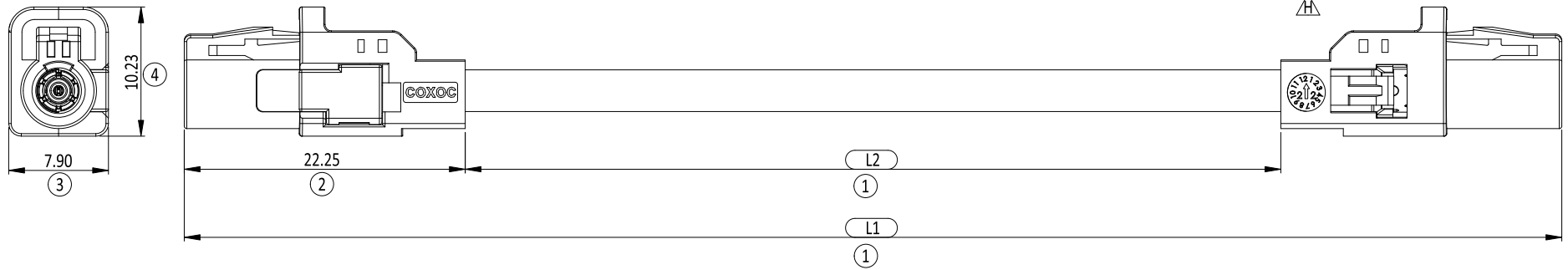


RoHS compliant



ENVIRONMENTAL :
 1. TEMPERATURE RANGE: -40°C TO +105°C

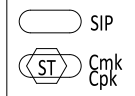
SPECIFICATION
ELECTRICAL CHARACTERISTIC:
 1. FINISHED CABLE 100% CONDUCTIVITY TEST
 2. CHARACTERISTIC IMPEDANCE: 50 Ω
 3. TEST VOLTAGE: DC 500V
 4. OPERATE VOLTAGE: 12.6V±5%

11	1420102011Z	N/A	Z/Z CODE	L1=1000±30	N/A	
10	1420102010Z	N/A	Z/Z CODE	L1=570±15	COXOC LOGO	
9	1420102009Z	N/A	Z/Z CODE	L2=10000±150	N/A	
8	1420102008Z	C7S4AZZ3A01SE70C	Z/Z CODE	L1=700±15	COXOC LOGO	
7	1420102007Z	C7S4AZZ3A01SE1M0	Z/Z CODE	L1=1000±30	COXOC LOGO	
6	1420102006Z	C7S4AZZ3A01SE50C	Z/Z CODE	L1=500±15	COXOC LOGO	
5	1420102005Z	C7S4AZZ3A01SE10M	Z/Z CODE	L1=10000±150	COXOC LOGO	
4	1420102004Z	C7S4AZZ3A01SE9M0	Z/Z CODE	L1=9000±100	COXOC LOGO	
3	1420102003Z	C7S4AZZ3A01SE3M0	Z/Z CODE	L1=3000±50	COXOC LOGO	
2	1420102002Z	C7S4AZZ3A01SE1M7	Z/Z CODE	L1=1700±30	COXOC LOGO	
1	1420102001Z	C7S4AZZ3A01SE2M0	Z/Z CODE	L1=2000±50	COXOC LOGO	
ITEM	NEW P/N	OLD P/N	CODING	L (LENGTH)	LOGO	NOTE

2	MINI FAKRA A	THERMOPLASTIC UL94V-0, 30u" AU	2
1	031 CABLE	22AWG COAXIAL+AL+MYLAR+BRAID, OD: 3.3mm, JACKET: PVC BLACK	1

ITEM	PART	DESCRIPTION	Q'TY
A5, C1, G8	H	ECN-2509005(BENSON)REVISED MODEL & SPECIFICATION & BOM	02SEP2025
D7	G	ECN-2411082(TINA)ADD P/N	15NOV2024
D7	F	ECN-2406029(VIVI)ADD P/N	12JUN2024
ZONE	REVISION	DESCRIPTION	DATE

UNLESS OTHERWISE SPECIFIED TOLERANCE
 ANG. ±5°
 0. ±0.50
 .0 ±0.30
 .00 ±0.20



SCALE: 1:1 UNIT: mm

DRAWN: KEVIN_ZHENG 06 Nov 2025
 CHECKED: VICKY_HSIEH 17 Nov 2025
 APPROVED: JASON_HUANG 18 Nov 2025

SIZE A4 SHEET 1/3 REV. H

TITLE: PDR-20066
 MINI FAKRA A 1x1 JACK CABLE
 PART NO. 1420102XXXX
 CODE: GC CUSTOMER:

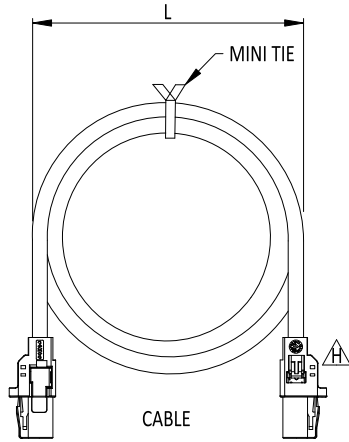
RoHS
compliant



A	B	C	D	E	F
JET BLACK SIMILAR RAL 9005	PURE WHITE SIMILAR RAL 9010	LIGHT BLUE SIMILAR RAL 5012	BORDEAUX VIOLET SIMILAR RAL 4004	MAY GREEN SIMILAR RAL 6017	NUT BROWN SIMILAR RAL 8011
G	H	J	K	Z	
PLATINUM GREY SIMILAR RAL 7036	LIGHT PINK SIMILAR RAL 3015	BEIGE SIMILAR RAL 1001	CURRY SIMILAR RAL 1027	WATER BLUE SIMILAR RAL 5021	

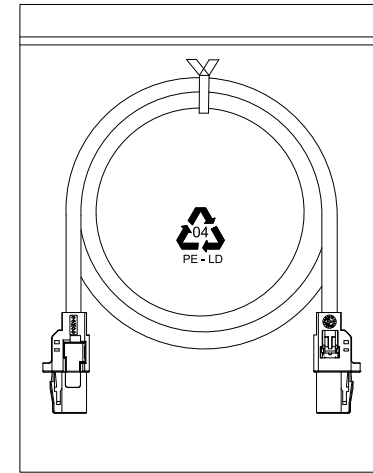
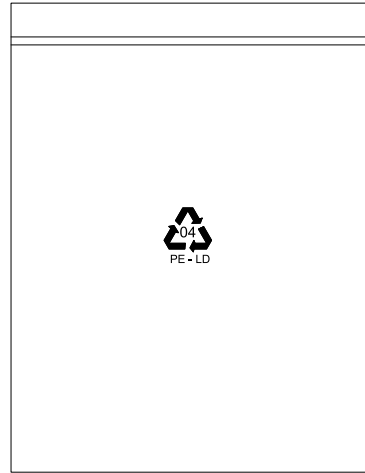
					UNLESS OTHERWISE SPECIFIED TOLERANCE ANG. ±5° 0. ±0.50 .0 ±0.30 .00 ±0.20		SIP Crmk Cpk		 CHANT SINCERE CO.,LTD	
					SCALE: 2:1	UNIT: mm		TITLE: PDR-20066		
		H	ECN-2509005(BENSON)SEE PAGE 1/3 & 3/3	02SEP2025	DRAWN: KEVIN_ZHENG	06 Nov 2025		MINI FAKRA A 1x1 JACK CABLE		
		G	ECN-2411082(TINA)SEE PAGE 1/3	15NOV2024	CHECKED: VICKY_HSIEH	17 Nov 2025		PART NO. 1420102XXXX		
		F	ECN-2406029(VIVI)SEE PAGE 1/3	12JUN2024	APPROVED: JASON_HUANG	18 Nov 2025		CODE: GC CUSTOMER:		
ZONE	REVISION	DESCRIPTION			DATE		SIZE A4 SHEET 2/3	REV. H		
1	2	3	4	5	6	7	8	9	10	

RoHS
compliant

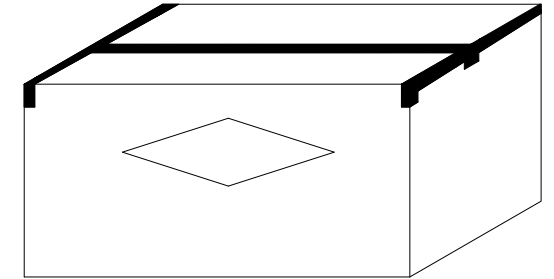
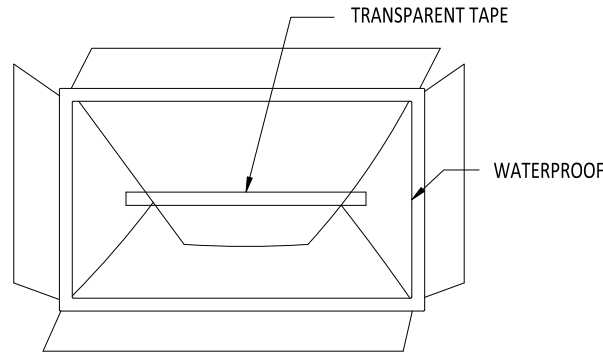
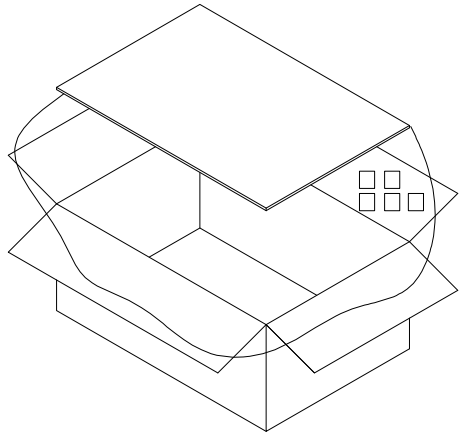


LENGTH	L
50C/1M/2M	(150)mm
10M	(210)mm

+



1PC/ZIP BAG



裝箱數量依首批訂單為主

(AFTER THE INSTALLED PRODUCT,CARTON SEALING TAPE SHOULD BE TRANSPARENT)

5	DESICCANT	M90000EZ0000029	2g	5 PCS	
4	WATERPROOF	M9BE71163507009	28"x25"x0.07mm	1 PC	
3	CARDBOARD(B3B)	M9EE330330000300	330x330mm	2 PCS	
2	CARTON	M9CE406330165500	16"x13"x6.5"	1 PC	
1	ZIP BAG FOR 1M			1PC CABLE/ZIP BAG	
	ZIP BAG FOR 10M			1PC CABLE/ZIP BAG	
ITEM	DESCRIPTION	PART NUMBER	SPECIFICATION	Q'TY	NOTE



UNLESS OTHERWISE SPECIFIED TOLERANCE		SIP		 CHANT SINCERE CO.,LTD	
ANG.	±5°	Cmk			
0.	±0.50	Cpk			
.0	±0.30	SCALE:	AS SHOWN	UNIT:	mm
.00	±0.20	DRAWN:	KEVIN_ZHENG	06 Nov 2025	TITLE: PDR-20066
		CHECKED:	VICKY_HSIEH	17 Nov 2025	MINI FAKRA A 1x1 JACK CABLE
		APPROVED:	JASON_HUANG	18 Nov 2025	PART NO. 1420102XXXX
		SIZE	A4	SHEET	3/3
		REV.	H	CODE:	GC
					CUSTOMER:

A5, B5, F3, F9	H	ECN-2509005(BENSON)REVISED MODEL & BOM			02SEP2025
	G	ECN-2411082(TINA)SEE PAGE 1/3			15NOV2024
	F	ECN-2406029(VIVI)SEE PAGE 1/3			12JUN2024
ZONE	REVISION	DESCRIPTION			DATE
1	2	3	4	5	6