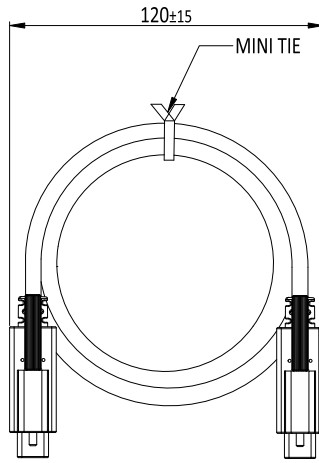
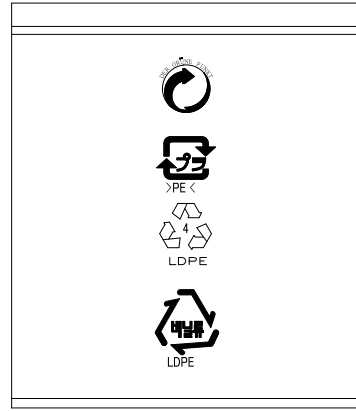


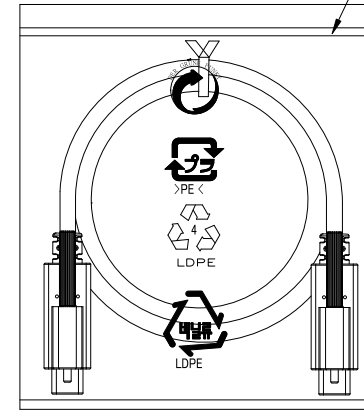
RoHS compliant



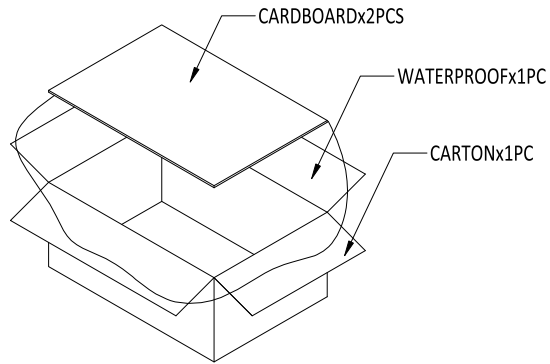
USB C/C 3.1 CABLE



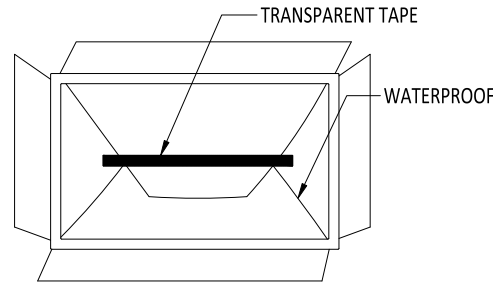
ZIP BAG: L203xW165xT0.05mm



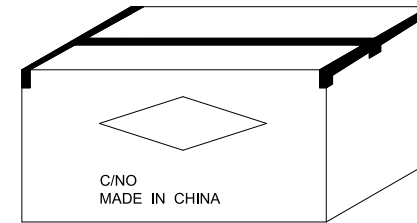
1PC/BAG



(CARTON: L457xW298xH228mm MATERIAL K=K)



(AFTER THE INSTALLED PRODUCT, CARTON SEALING TAPE SHOULD BE TRANSPARENT)



(CARTON: L457xW298xH228mm, MATERIAL K=K)
(1MO: 100PCS/CARTON)
♻️ (1M5: PACKAGE BY SI FACTORY)

UNLESS OTHERWISE SPECIFIED TOLERANCE		SIP Cmk Cpk		CHANT SINCERE CO.,LTD	
ANG.	±1 0. ±0.50 .0 ±0.25	SCALE: AS SHOWN	UNIT: mm		
D	ECN-2512056(CHICHI)SEE PAGE 1/2	12DEC2025	DRAWN: HOLLY_TU	17 Dec 2025	TITLE: PDR-18091 USB C TO C PLUG WITH E-MARKED IC (3.1) CABLE
C	ECN-2407088(QUEENIE)SEE PAGE 1/2	30JUL2024	CHECKED: VICKY_HSIEH	17 Dec 2025	
B	ECN-2406044(QUEENIE)MODIFY CABLE DESCRIPTION	13JUN2024	APPROVED: JASON_HUANG	19 Dec 2025	PART NO. 1330209XXXX
ZONE	REVISION	DESCRIPTION	DATE	SIZE A4 SHEET 2/2 REV. D	CODE: GB CUSTOMER:

1	2	3	4	5	6
1	2	3	4	5	6