

RoHS compliant



SPECIFICATION

MATERIAL AND FINISH:

- INSULATOR: HIGH TEM. THERMAL PLASTIC, RATED UL94V-0
- CONTACTS: COPPER ALLOY
UNDERPLATE: 40u"~100u" NI
CONTACT AREA: SELECTIVE GOLD FLASH 0.8u"
- METAL PARTS: STEEL WITH NI PLATING
- CABLE: PVC, BLACK
- PCB: FR-4

ELECTRICAL CHARACTERISTIC:

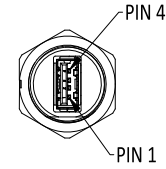
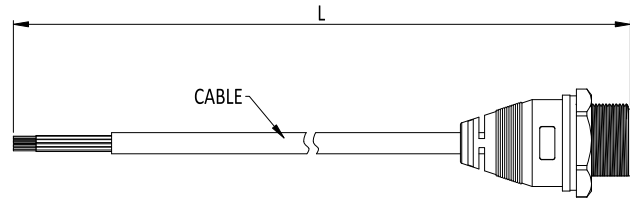
- DIELECTRIC WITHSTANDING VOLTAGE: 30 V-AC FOR 1 MINUTE.
- INSULATION RESISTANCE: 100 MΩ MIN. AT 500 V DC
- CURRENT RATING: 1 A MAX.
- AWG SINGAL LINE: 1P*28 AWG+24AWG*2C OD= 4.5±0.15 mm

ENVIRONMENT:

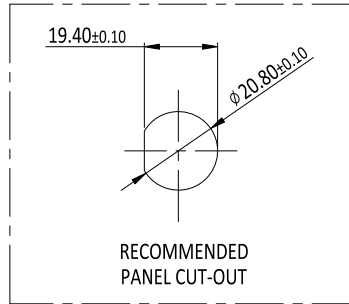
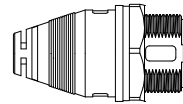
- TEMPERATURE RANGE: -20°C TO +80°C

NOTE:

DEGREE OF PROTECTION: IP 67



(USB 2.0)
A TYPE



SHELL	DRAIN	28 AWG	5
4	BLACK	24 AWG	4
3	GREEN	28 AWG	3
2	WHITE	28 AWG	2
1	RED	24 AWG	1
USB CONN.	WIRE COLOR	AWG	5PIN CONN.
PIN OUT			

1	13152030010	CW30223ACA01E1M0	1000±30mm	
ITEM	NEW P/N	OLD P/N	L (LENGTH)	NOTE
UNLESS OTHERWISE SPECIFIED TOLERANCE		SIP Crmk Cpk		 CHANT SINCERE CO.,LTD
SCALE:	AS SHOWN	UNIT:	mm	
DRAWN:	KEVIN_ZHENG	12 Mar 2025	TITLE: PDR-13073 USB 2.0 A TYPE WATERPROOF WITH CABLE AND SR	
CHECKED:	PEARL_HUNG	12 Mar 2025	PART NO.	1315203XXXX
APPROVED:	PEARL_HUNG	12 Mar 2025	CODE:	GC
			REV.	B
			CUSTOMER:	

	B	ECN-2502082(KIRA)NEW P/N		19FEB2025
	A	ECN-1312059(NAOMI)(PDR-13073)		30DEC2013
ZONE	REVISION	DESCRIPTION	DATE	
1	2	3	4	5

