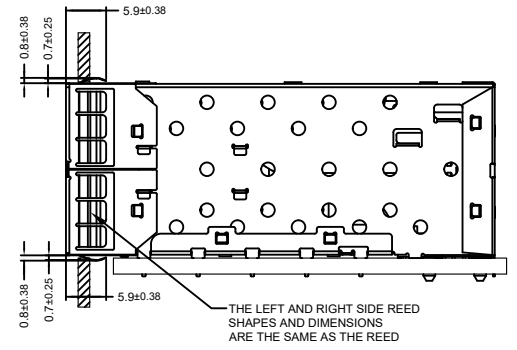
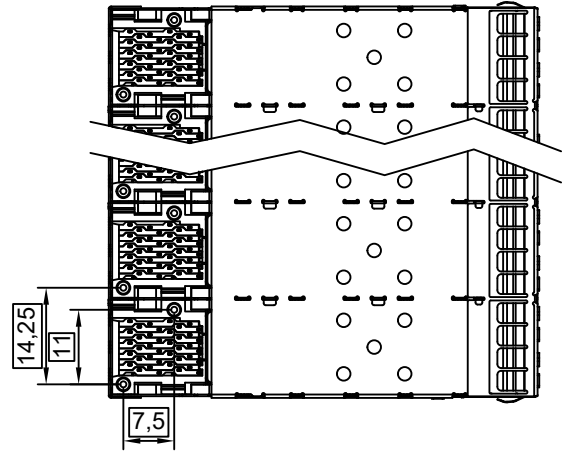
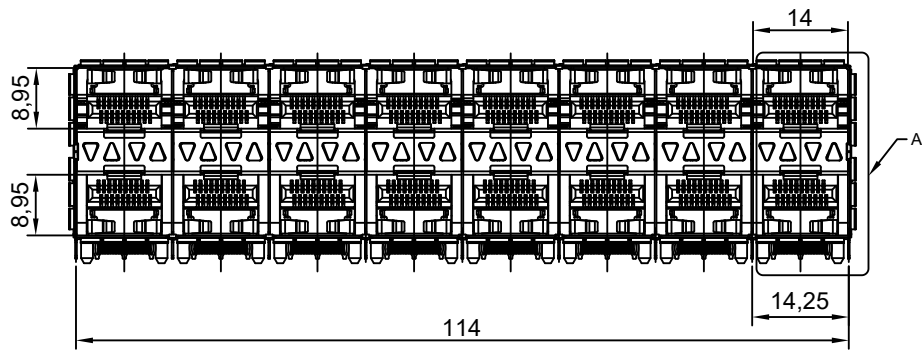
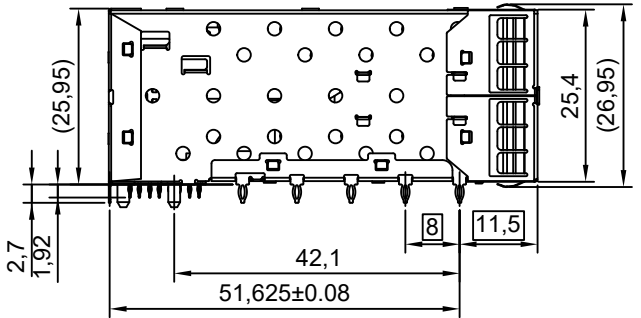


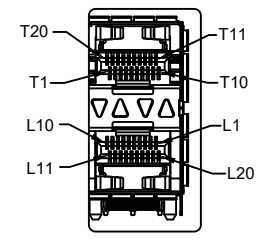
CONNECTOR PIN-OUT
COMPONENT SIDE OF BOARD



THE LEFT AND RIGHT SIDE REED
SHAPES AND DIMENSIONS
ARE THE SAME AS THE REED



NOTES:
MATERIAL:
CAGE: COPPER ALLOY
CONNECTOR:
PLASTIC HOUSING: HIGH TEMPERATURE LCP, UL94 V-0.
LIGHT PIPE: POLYCARBONATE; COLOR: CLEAR
SPRING: STAINLESS STEEL
CONTACTS: PHOSPHOR BRONZE
CONTACT PLATING: 15u" MIN. GOLD ON MATING AREA,
150u" MATTE TIN ON SOLDER TAILS
PACKAGING: TRAY PACKAGING.
OPERATING TEMPERATURE: -40°C TO +85°C
STORAGE TEMPERATURE: -55°C TO +105°C



DETAIL A
1:1

- PART NUMBER:
902 G H B8 B C T A2 X 1 A 3
1 2 3 4 5 6 7 8 9 10 11 12
- SERIES NO.
 - TYPE: G=PressFit
 - GREEN OPTION:
H=RoHS+HF(Matte Plated)
 - PORT NO:
B8=2x8
 - CONTACT TYPE:
B=Female
 - CONTACT PLATING:
C=15u" Gold
 - SOLDER TAILS AREA PLATING:
T=Tin plated
 - TYPE OPTION:
A2=SFP+ ASSEMBLY
 - SHELL PLATING/TYPE:
0=Non Plating/Spring
N=Ni Plating(50u" Min)/Spring
 - PROCESS OPTION:
1=With Inner&Outer Light Pipe
 - PACKAGE OPTION:
A=Tray
 - INSULATOR COLOR:
3=Black

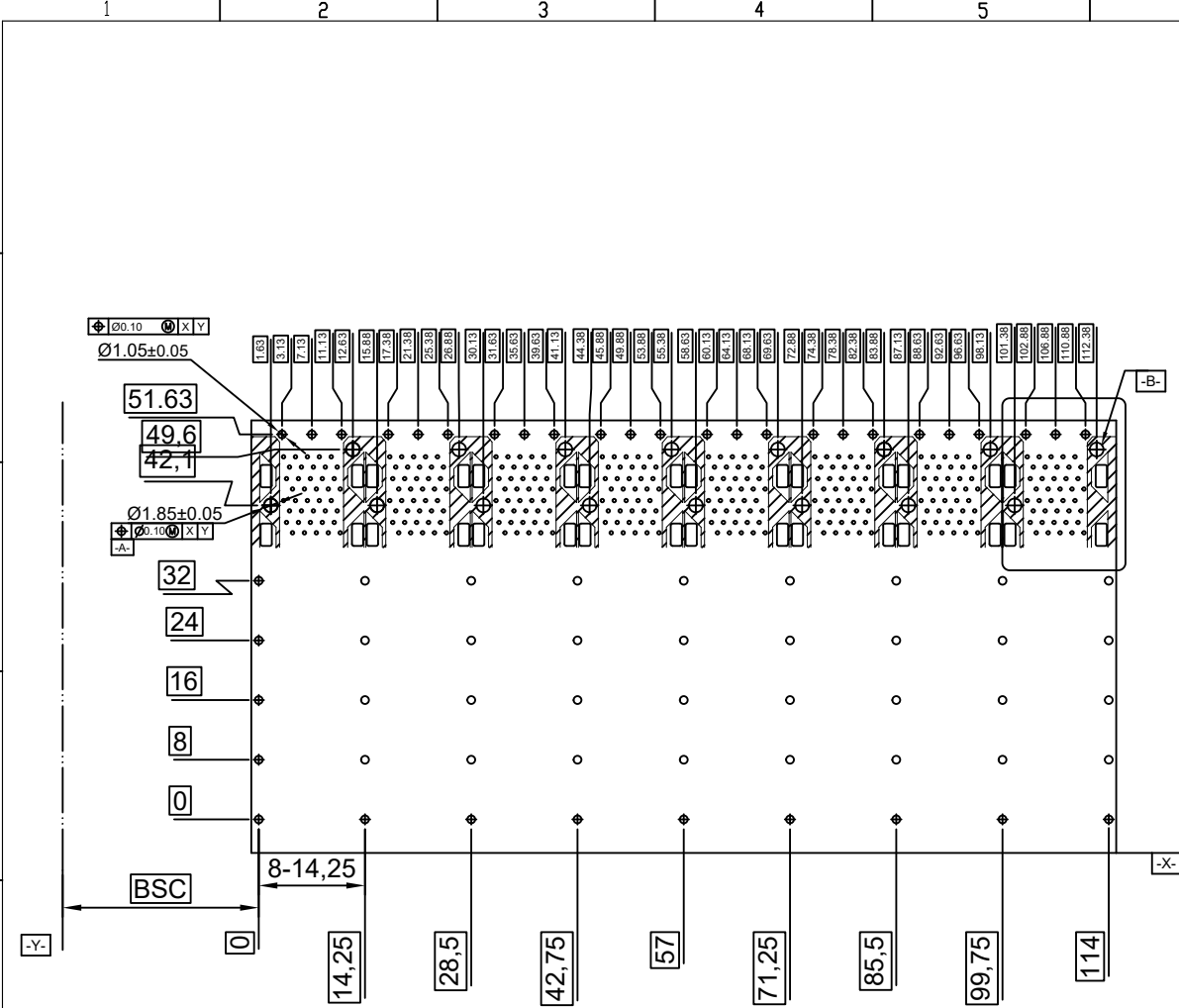
UNLESS OTHERWISE SPECIFIED TOLERANCE	
.X±0.20	.X±1"
.XX±0.15	.XX±5"
.XXX±0.10	

SCALE:	AS SHOWN	UNIT:	mm
DRAWN:	PEARL	DATE:	07/16/2019
CHECKED:			
APPROVED:			



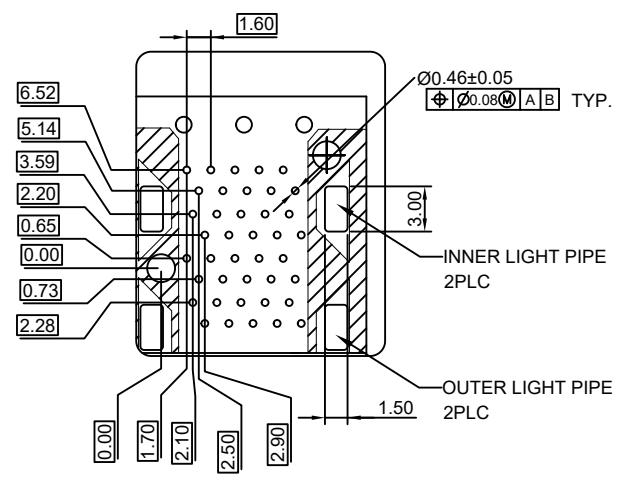
CHANT SINCERE CO.,LTD
TEL 886-02-86471251 FAX 886-02-86472362
DRAWN NAME: SFP+ 2X8 CAGE AND
CONNECTOR ASSEMBLY, PRESS FIT,
WITH EMI SPRINGS 1/4
PRODUCT NO. 902GHB8BCTA2X1A3
FILE NAME: 902GHB8BCTA201A3(X07)

REV.	DESCRIPTION	DATE	SIZE	REV.	FILE NAME
1			A4	X2	902GHB8BCTA201A3(X07)

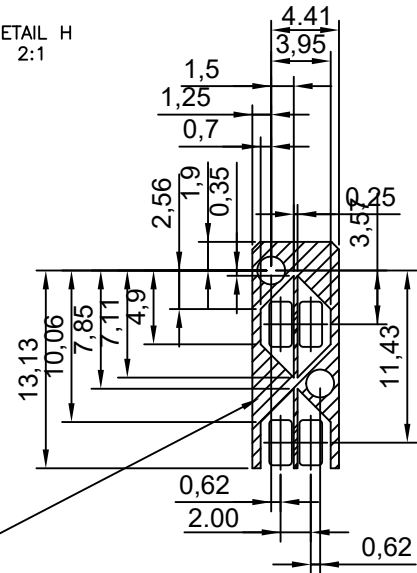


RECOMMENDED PCB CONFIGURATION

THE ENTIRE AREA OF THE CONNECTOR FOOTPRINT TO BE CONSIDERED THE KEEP OUT AREA FOR COMPONENTS (OTHER THAN LIGHT PIPE LED'S) THIS AREA IS INDICATED BY THE ANSI31 LINE



DETAIL H
2:1



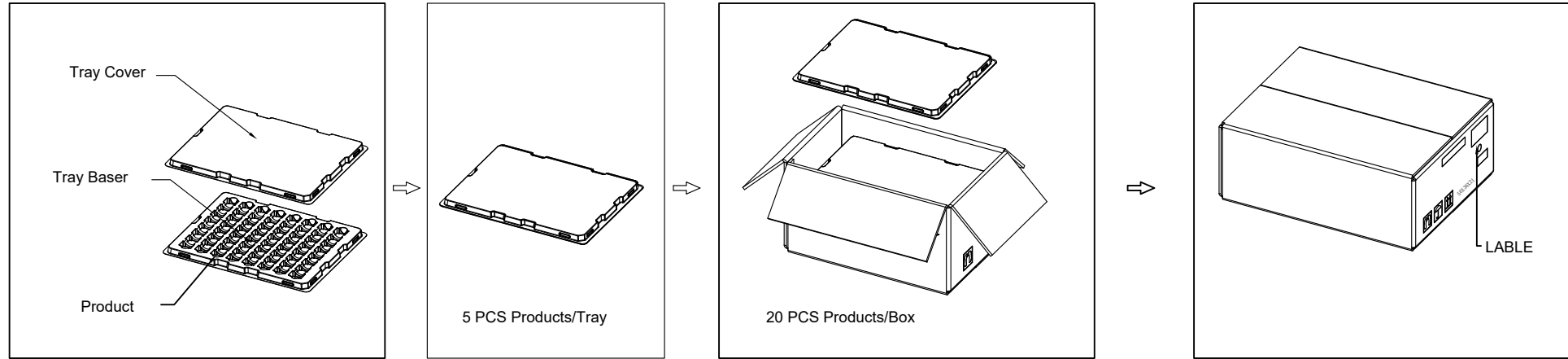
DETAIL LIGHT PIPE LOCATION AND OTHER ZONES
DETAIL K
2:1

UNLESS OTHERWISE SPECIFIED TOLERANCE			
.X±0.20	.X±1°		
.XX±0.15	.XX±5°	CHANT SINCERE CO.,LTD TEL:886-02-86471251 FAX:886-02-86472362	
.XXX±0.10		SCALE: AS SHOWN	UNIT: mm
DRAWN: PEARL	07/16/2019	DRAWN NAME: SFP+ 2X8 CAGE AND CONNECTOR ASSEMBLY, PRESS FIT, WITH EMI SPRINGS 2/4	
CHECKED:		PRODUCT NO. 902GHB8BCTA2X1A3	
APPROVED:		FILE NAME: 902GHB8BCTA201A3(X07)	

REV.	DESCRIPTION	DATE
1		
2		
3		
4		
5		
6		


7	SIZE A4	REV. X2
8		
9		
10		

PACKAGE INFORMATION AND LABEL



PACKING QUANTITY : 5 PCS FINISHED GOODS PER TRAY

4 TRAYS (20 PCS FINISHED GOODS) PER CARTON BOX

UNLESS OTHERWISE SPECIFIED TOLERANCE			
.X±0.20	.X±1°		
.XX±0.15	.XX±5°	CHANT SINCERE CO.,LTD TEL:886-02-86471251 FAX:886-02-86472362	
.XXX±0.10		SCALE: AS SHOWN	UNIT: mm
		DRAWN: PEARL	07/16/2019
		CHECKED:	
		APPROVED:	
			DRAWN NAME: SFP+ 2X8 CAGE AND CONNECTOR ASSEMBLY, PRESS FIT, WITH EMI SPRINGS 4/4
			PRODUCT NO. 902GHB8BCTA2X1A3
			FILE NAME: 902GHB8BCTA201A3(X07)

REV.	DESCRIPTION	DATE	SIZE	REV.	FILE NAME
1			A4	X2	