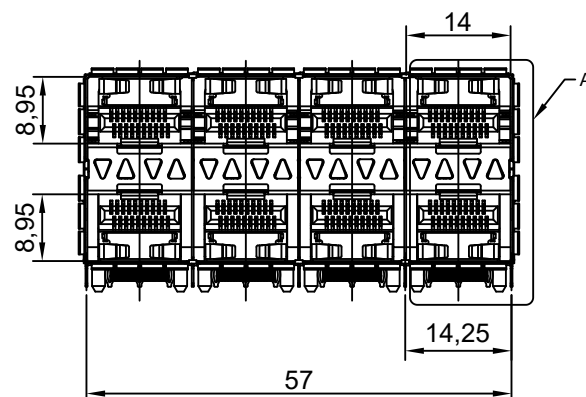
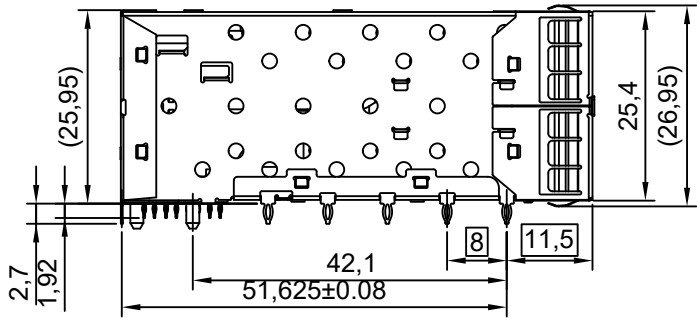


DETAIL A
1:1

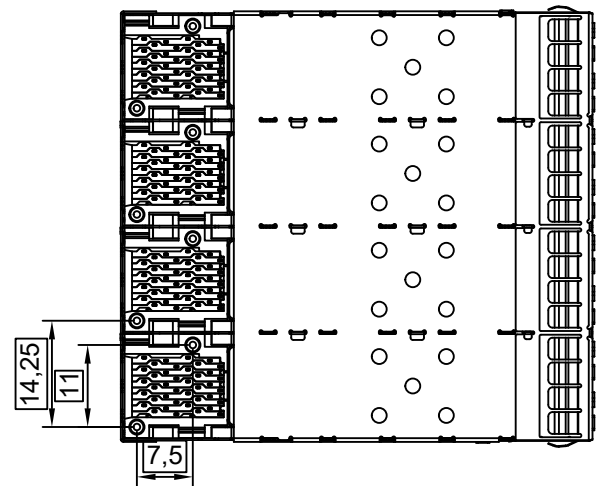


PART NUMBER:

902 G H B4 B C T A2 X 1 A 3
1 2 3 4 5 6 7 8 9 10 11 12

- 1.SERIES NO.
- 2.TYPE: G=PressFit
- 3.GREEN OPTION:
H=RoHS+HF(Matte Plated)
- 4.PORT NO:
B4=2x4
- 5.CONTACT TYPE:
B=Female
- 6.CONTACT PLATING:
C=15u" Gold
- 7.SOLDER TAILS AREA PLATING:
T=Tin plated
- 8.TYPE OPTION:
A2=SFP+ ASSEMBLY
- 9.SHELL PLATING/TYPE:
0=Non Plating/Spring
N=Ni Plating(50u" Min)/Spring
- 10.PROCESS OPTION:
1=With Inner&Outer Light Pipe
- 11.PACKAGE OPTION:
A=Tray
- 12.INSULATOR COLOR:
3=Black

NOTES:
MATERIAL:
CAGE: COPPER ALLOY
CONNECTOR:
PLASTIC HOUSING: HIGH TEMPERATURE LCP, UL94 V-0.
LIGHT PIPE: POLYCARBONATE; COLOR: CLEAR
SPRING: STAINLESS STEEL
CONTACTS: PHOSPHOR BRONZE
CONTACT PLATING: 15u" MIN. GOLD ON MATING AREA,
150u" MATTE TIN ON SOLDER TAILS
PACKAGING: TRAY PACKAGING.
OPERATING TEMPERATURE: -40°C TO +85°C
STORAGE TEMPERATURE: -55°C TO +105°C



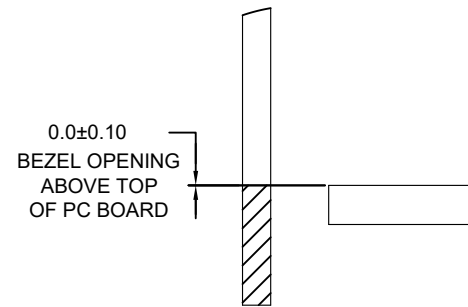
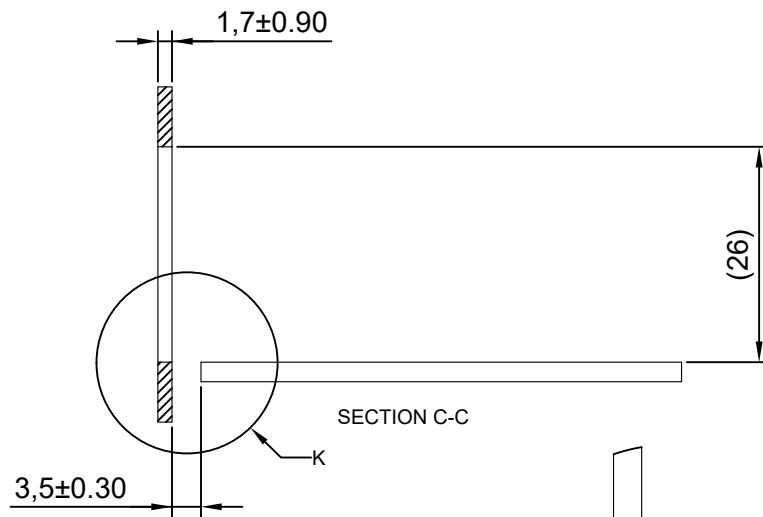
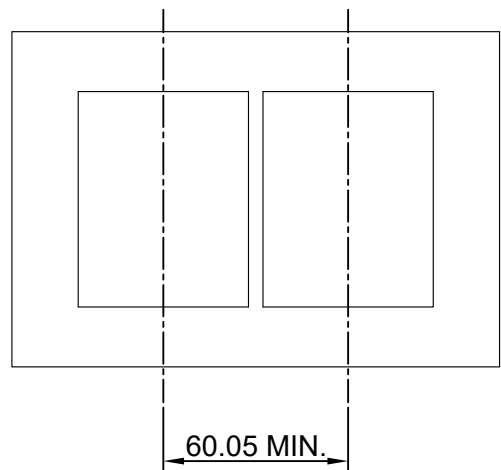
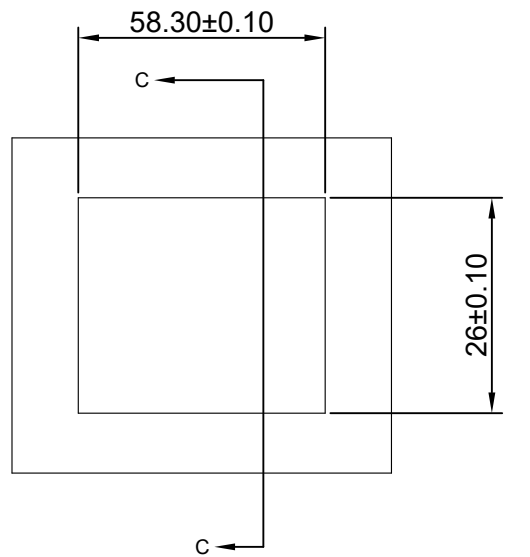
UNLESS OTHERWISE SPECIFIED TOLERANCE	
.X±0.20	.X±1°
.XX±0.15	.XX±5°
.XXX±0.10	



SCALE: AS SHOWN	UNIT: mm
DRAWN: PEARL	07/16/2019
CHECKED:	
APPROVED:	

CHANT SINCERE CO.,LTD
TEL:886-02-86471251 FAX:886-02-86472362
DRAWN NAME: SFP+ 2X4 CAGE AND
CONNECTOR ASSEMBLY, PRESS FIT,
WITH EMI SPRINGS 1/4
PRODUCT NO. 902GHB4BCTA2X1A3
FILE NAME: 902GHB4BCTA201A3(X07)

REV.	DESCRIPTION	DATE	SIZE	REV.	FILE NAME
1			A4	X2	902GHB4BCTA201A3(X07)



DETAIL K
2:1

RECOMMENDED BEZEL DESIGN

UNLESS OTHERWISE SPECIFIED TOLERANCE	
.X±0.20	.X±1°
.XX±0.15	.XX±5°
.XXX±0.10	

SCALE: AS SHOWN UNIT: mm

DRAWN: PEARL 07/16/2019

CHECKED:

APPROVED:

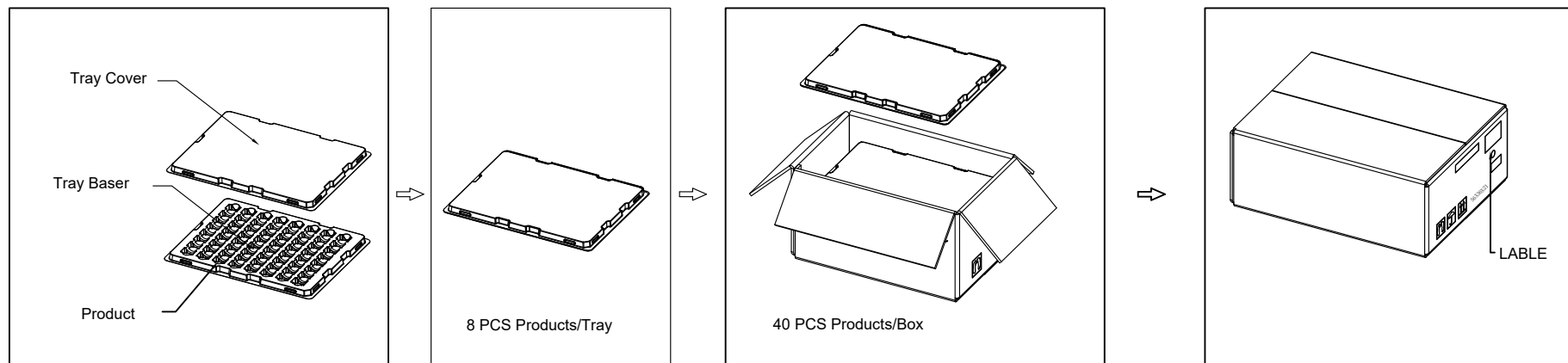
SIZE A4 REV. X2



CHANT SINCERE CO.,LTD
TEL 886-02-86471251 FAX 886-02-86472362
DRAWN NAME: SFP+ 2X4 CAGE AND
CONNECTOR ASSEMBLY, PRESS FIT,
WITH EMI SPRINGS 3/4
PRODUCT NO. 902GHB4BCTA2X1A3
FILE NAME: 902GHB4BCTA201A3(X07)




REV.	DESCRIPTION	DATE

PACKAGE INFORMATION AND LABEL



PACKING QUANTITY : 8 PCS FINISHED GOODS PER TRAY

5 TRAYS (40 PCS FINISHED GOODS) PER CARTON BOX

UNLESS OTHERWISE SPECIFIED TOLERANCE .X±0.20 .X±1* .XX±0.15 .XX±5* .XXX±0.10		 CHANT SINCERE CO.,LTD TEL:886-02-86471251 FAX:886-02-86472362	
SCALE: AS SHOWN	UNIT: mm		
DRAWN: PEARL	07/16/2019	DRAWN NAME: SFP+ 2X4 CAGE AND CONNECTOR ASSEMBLY, PRESS FIT, WITH EMI SPRINGS 4/4	
CHECKED:		PRODUCT NO. 902GHB4BCTA2X1A3	
APPROVED:		FILE NAME: 902GHB4BCTA201A3(X07)	
REV.	DESCRIPTION	DATE	  SIZE A4 REV. X2