

NOTE:

1. MATERIAL:

CAGE ASSEMBLY: COPPER ALLOY, 0.25mm THICKNESS.  
 HOUSING: HIGH TEMPERATURE THERMOPLASTIC, UL94V-0,  
 COLOR: BLACK.  
 LIGHT PIPE: POLYCARBONATE, CLEAR.  
 CONTACT: COPPER ALLOY, 0.20mm THICKNESS.

2. FINISH:

TERMINALS: GOLD PLATED ON CONTACT AREA;  
 MATTE TIN PLATED ON TAIL AREA.  
 CAGE: NICKEL PLATED.

3. PC BOARD THICKNESS: 1.5mm MIN.

4. THIS PART MEETS THE RESTRICTION OF HAZARDOUS  
 SUBSTANCES IN ELECTRICAL AND ELECTRONIC EQUIPMENT  
 (ROHS) DIRECTIVE (2011/65/EU).

PART NUMBER:

902 G H B2 B X T AA X X A 3  
 1 2 3 4 5 6 7 8 9 10 11 12

1.SERIES NO.

2.TYPE: G=PressFit

3.GREEN OPTION:

H=RoHS(Matte)(Halogen Free)

4.PORT NO:

B2=2x2

5.CONTACT TYPE:

B=Female

6.CONTACT PLATING:

C=15u" Gold

D=30u" Gold

7.SOLDER TAILS AREA PLATING:

T=Tin plated

8.TYPE OPTION:

AA=SFP ASSEMBLY

(Non Grounding Pin)

9.SHELL PLATING:

O=Non Plating

N=Ni Plating

10.PROCESS OPTION:

0=Without Light Pipe

1=With Inner & Outer Light Pipe

2=With Inner Light Pipe

3=With Outer Light Pipe

11.PACKAGE OPTION:

A=Tray

12.INSULATOR COLOR:

3=BLACK

UNLESS OTHERWISE SPECIFIED TOLERANCE	
ANG.	1°
.0	0.30
.00	0.20
.000	0.10

SCALE: AS SHOWN UNIT: mm

DRAWN: PEARL 09/21/2015

CHECKED:

APPROVED:



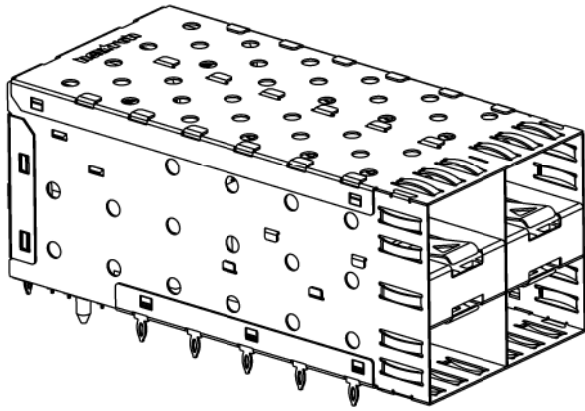
CHANT SINCERE CO.,LTD  
 TEL:886-02-86471251 FAX:886-02-86472962

DRAWN NAME:  
 SFP ASSY.2X2  
 PRESS FIT, NON Grounding Pin 1/4

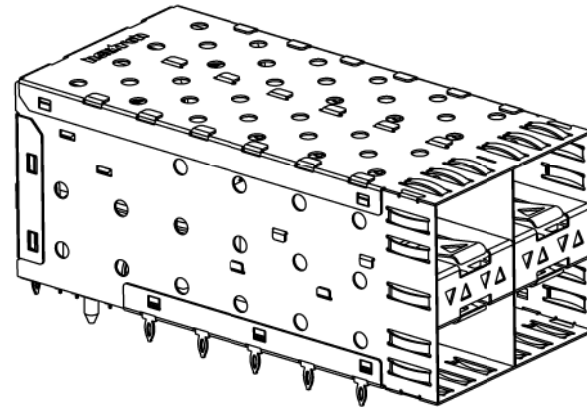
PRODUCT NO. 902GHB2BXTAAXXA3

FILE NAME: 902GHB2BXTAAXXA3(CX8)

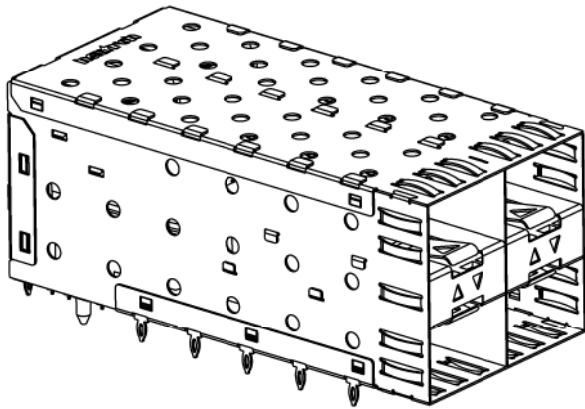
REV.	DESCRIPTION	DATE	SIZE	A4	REV.	X1
1	2	3	4	5	6	7



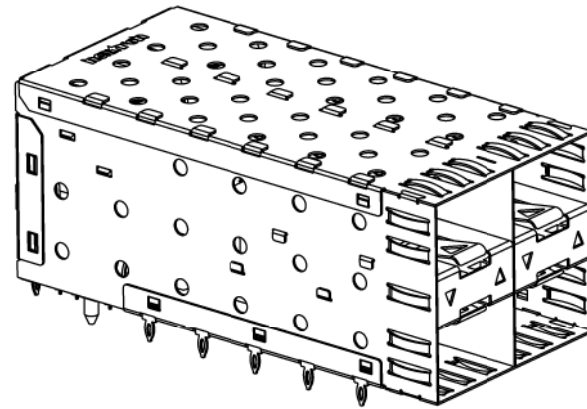
902GHB2BXTAAX0A3 AS SHOWN  
WITHOUT LIGHT PIPE



902GHB2BXTAAX1A3 AS SHOWN  
WITH INNER & OUTER LIGHT PIPES



902GHB2BXTAAX2A3 AS SHOWN  
WITH INNER LIGHT PIPES



902GHB2BXTAAX3A3 AS SHOWN  
WITH OUTER LIGHT PIPES

UNLESS OTHERWISE SPECIFIED TOLERANCE	
ANG.	1°
.0	0.30
.00	0.20
.000	0.10



SCALE: AS SHOWN UNIT: mm

CHANT SINCERE CO.,LTD  
TEL:886-02-86471251 FAX:886-02-86472962

DRAWN: PEARL 09/21/2015

DRAWN NAME:  
SFP ASSY.2X2  
PRESS FIT, NON Grounding Pin 2/4

CHECKED:

APPROVED:

PRODUCT NO. 902GHB2BXTAAXA3

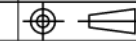
DATE

FILE NAME: 902GHB2BXTAAXA3(CX8)

REV.

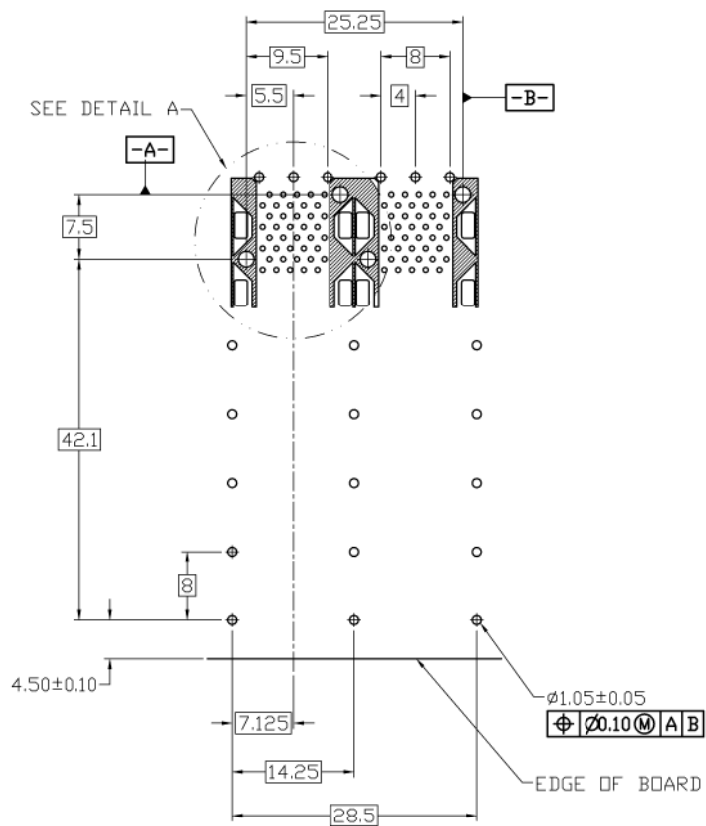
DESCRIPTION

DATE

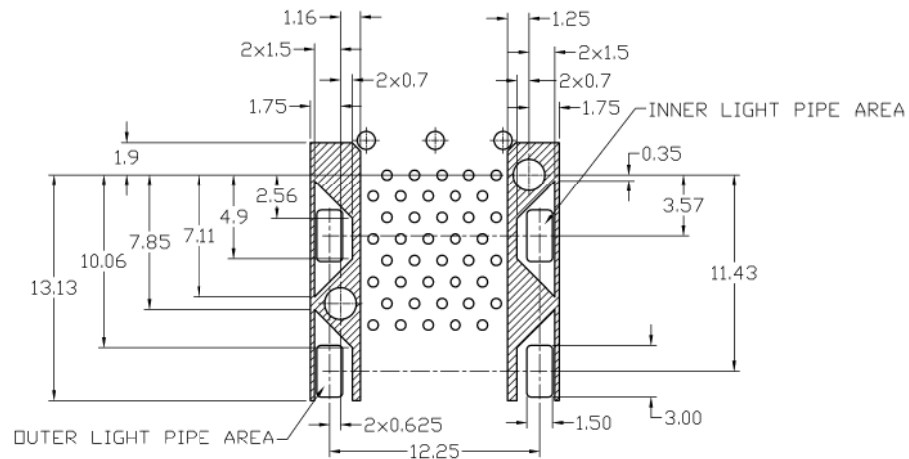


SIZE A4

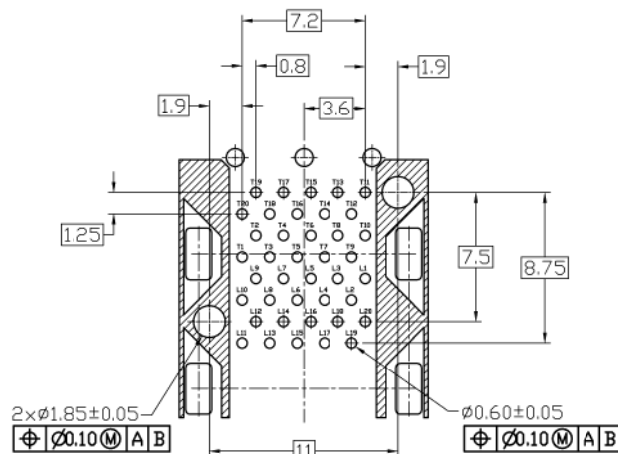
REV. X1



RECOMMENDE PCB LAYOUT  
COMPONENT SIDE OF BOARD



DETAIL A  
KEEPOUT ZONE  
SCALE 2:1



DETAIL A  
SCALE 2:1

UNLESS OTHERWISE SPECIFIED TOLERANCE	
ANG.	1°
.0	0.30
.00	0.20
.000	0.10



CHANT SINCERE CO.,LTD  
TEL:886-02-86471251 FAX:886-02-86472962

SCALE: AS SHOWN UNIT: mm

DRAWN: PEARL 09/21/2015

CHECKED:

APPROVED:

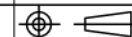
DRAWN NAME:  
SFP ASSY.2X2  
PRESS FIT, NON Grounding Pin 3/4

PRODUCT NO. 902GHB2BXTAAXXA3

REV.

DESCRIPTION

DATE



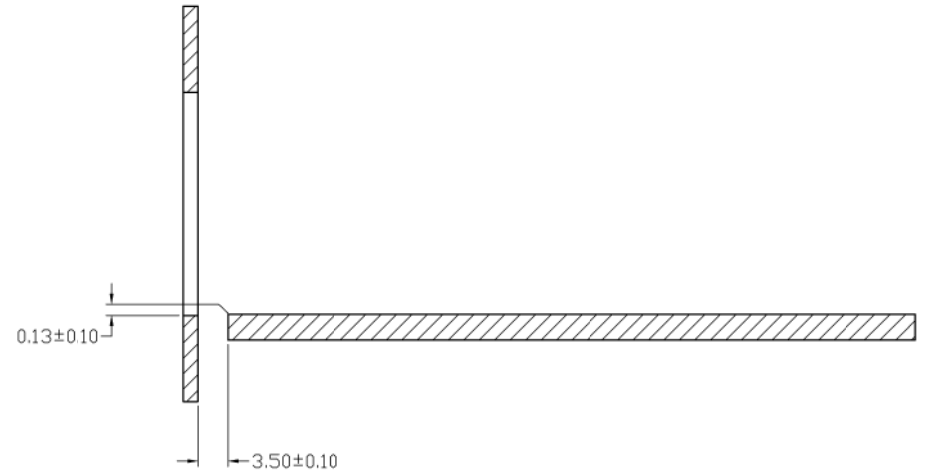
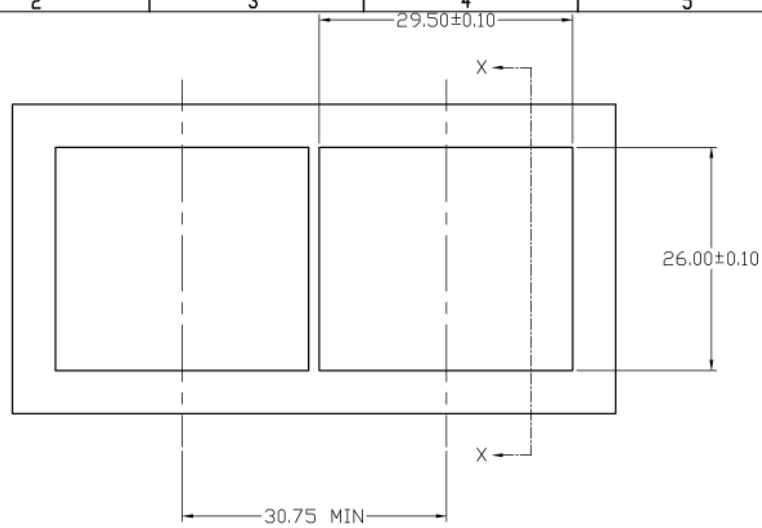
SIZE

A4

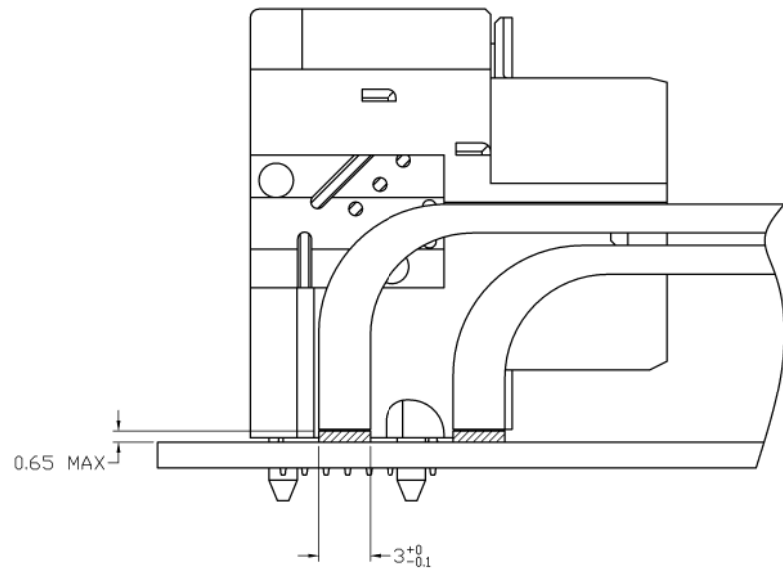
REV.

X1

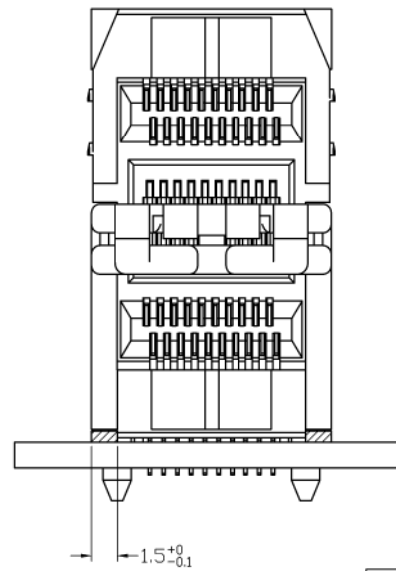
FILE NAME: 902GHB2BXTAAXXA3(CX8)



SECTION X-X  
SCALE 1:1



LED CLEARANCE REQUIREMENTS  
SCALE 2:1



UNLESS OTHERWISE SPECIFIED TOLERANCE	
ANG.	1°
.0	0.30
.00	0.20
.000	0.10



CHANT SINCERE CO.,LTD  
TEL:886-02-86471251 FAX:886-02-86472962

SCALE: AS SHOWN UNIT: mm

DRAWN: PEARL 09/21/2015

CHECKED:

APPROVED:

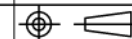
DRAWN NAME:  
SFP ASSY.2X2  
PRESS FIT, NON Grounding Pin 4/4

PRODUCT NO. 902GHB2BXTAAXXA3

REV.

DESCRIPTION

DATE



SIZE

A4

REV.

X1

FILE NAME: 902GHB2BXTAAXXA3(CX8)