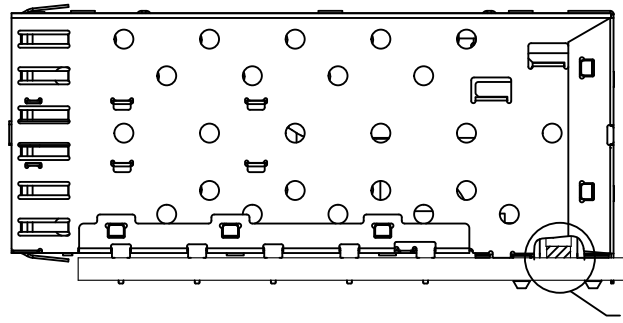
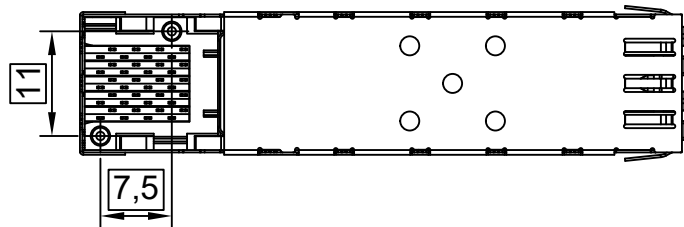
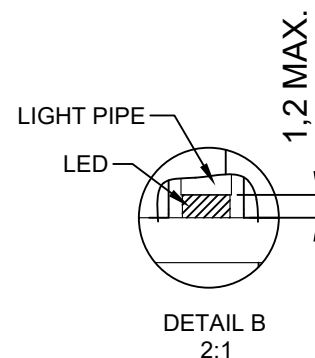
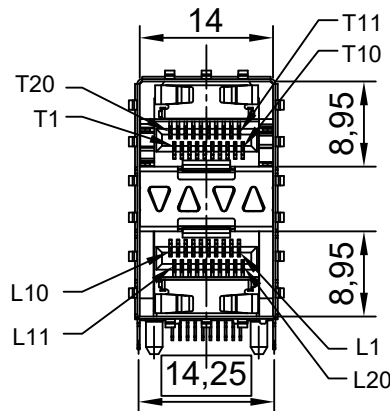
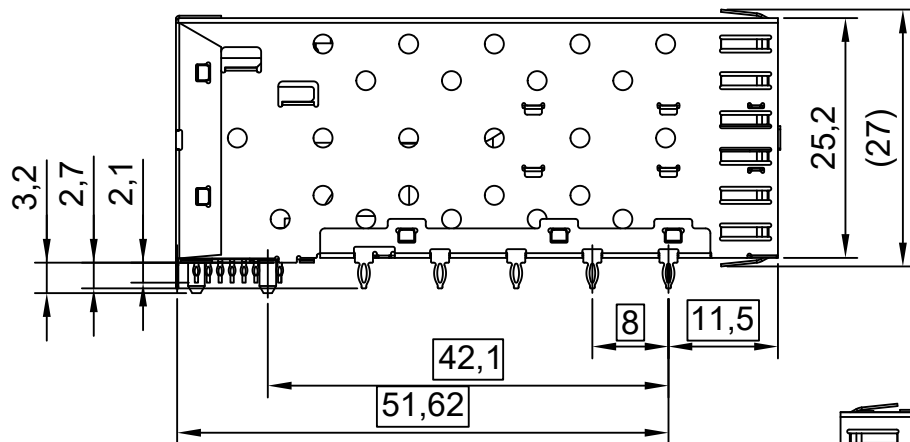


NOTES:  
 MATERIAL:  
 CAGE: COPPER ALLOY THICKNESS 0.25mm  
 CONNECTOR:  
 PLASTIC HOUSING: HIGH TEMPERATURE LCP, UL94 V-0.  
 LIGHT PIPE: POLYCARBONATE; COLOR: CLEAR  
 SPRING: STAINLESS STEEL, THICKNESS 0.20mm  
 CONTACTS: PHOSPHOR BRONZE, THICKNESS 0.20mm  
 PLATING: 15 $\mu$ " MIN. GOLD ON MATING AREA,  
 150 $\mu$ " MIN. MATE TIN ON SOLDER TAILS.  
 PACKAGING: TRAY PACKAGING.  
 OPERATING TEMPERATURE: -40°C TO +85°C  
 STORAGE TEMPERATURE: -55°C TO +105°C



PART NUMBER:

902 G H B1 B C T AA X 1 A 3  
 1 2 3 4 5 6 7 8 9 10 11 12

- |                              |                                     |
|------------------------------|-------------------------------------|
| 1.SERIES NO.                 | 9.SHELL PLATING:                    |
| 2.TYPE: G=PressFit           | 0=Non Plating/Spring                |
| 3.GREEN OPTION:              | N=Ni Plating(50 $\mu$ " Min)/Spring |
| H=RoHS+HF(Matte Plated)      | 10.PROCESS OPTION:                  |
| 4.PORT NO:                   | 1=With Inner&Outer Light Pipe       |
| B1=2x1                       | 11.PACKAGE OPTION:                  |
| 5.CONTACT TYPE:              | A=Tray                              |
| B=Female                     | 12.INSULATOR COLOR:                 |
| 6.CONTACT PLATING:           | 3=BLACK                             |
| C=15 $\mu$ " Gold            |                                     |
| 7.SOLDER TAILS AREA PLATING: |                                     |
| T=Tin plated                 |                                     |
| 8.TYPE OPTION:               |                                     |
| AA=SFP ASSEMBLY              |                                     |
| (Non Grounding Pin)          |                                     |

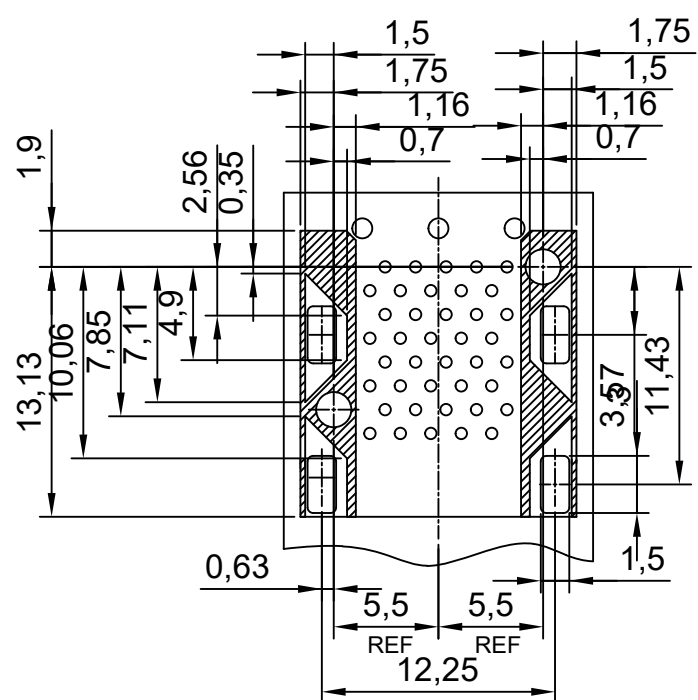
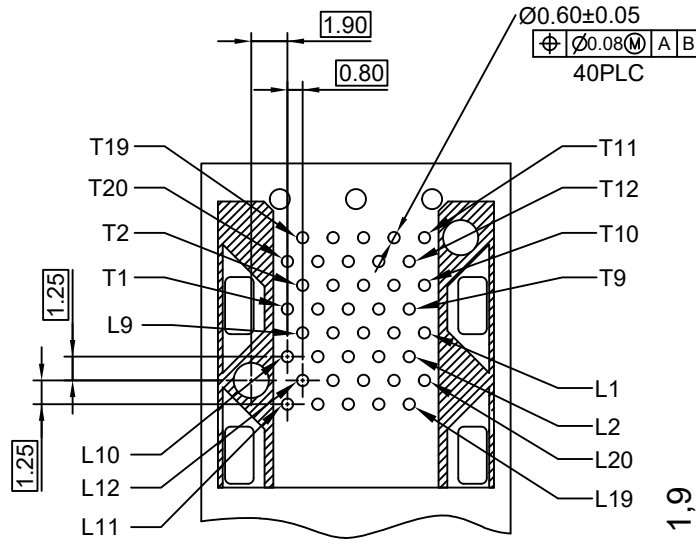
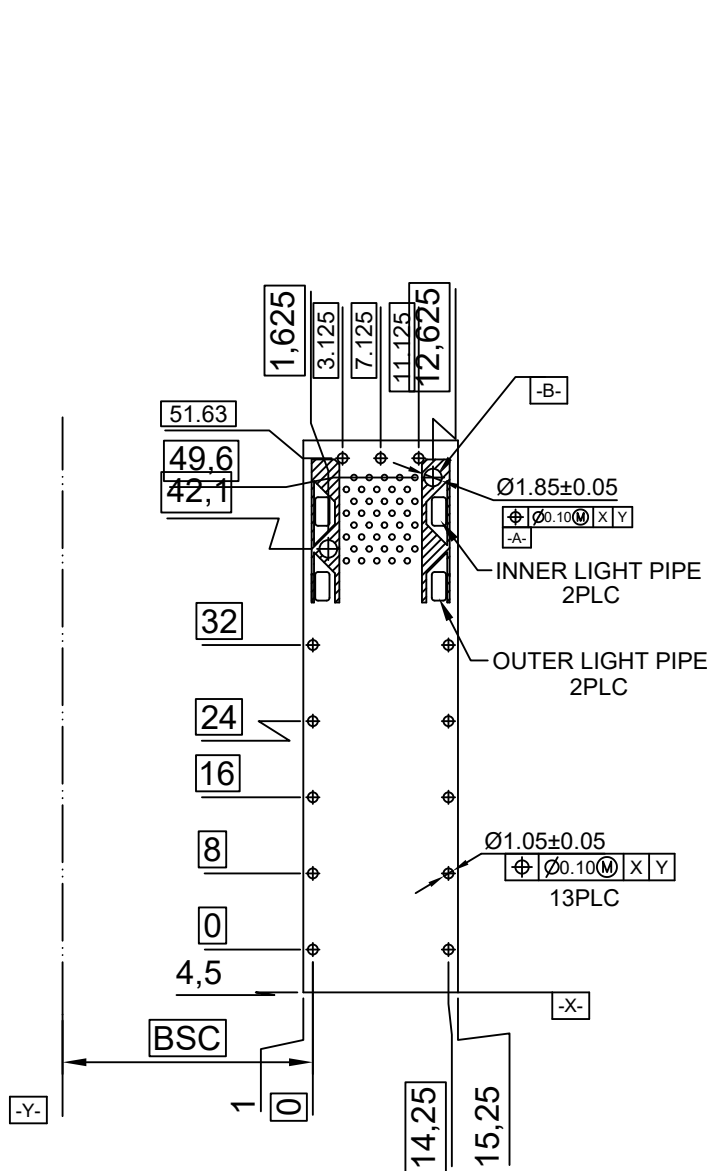
UNLESS OTHERWISE SPECIFIED TOLERANCE	
.X $\pm$ 0.20	.X $\pm$ 1°
.XX $\pm$ 0.15	.XX $\pm$ 5°
.XXX $\pm$ 0.10	



SCALE: AS SHOWN	UNIT: mm
DRAWN: PEARL	07/11/2019
CHECKED:	
APPROVED:	

CHANT SINCERE CO.,LTD  
 TEL:886-02-86471251 FAX:886-02-86472362  
 DRAWN NAME:  
 SFP ASSY.2X1  
 PRESS FIT, NON Grounding Pin 1/4  
 PRODUCT NO. 902GHB1BCTAA01A3

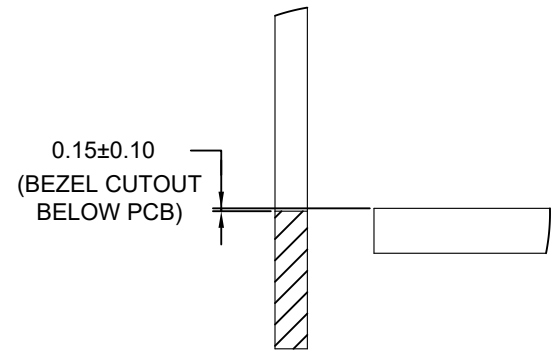
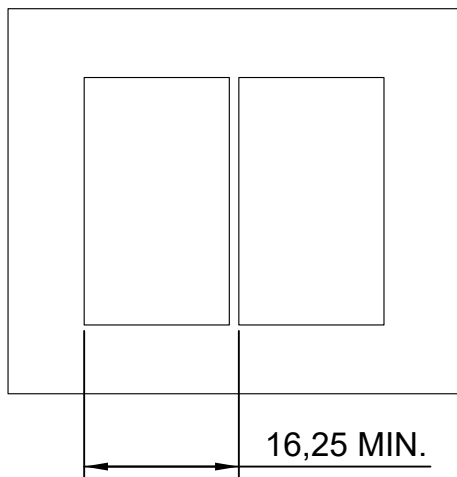
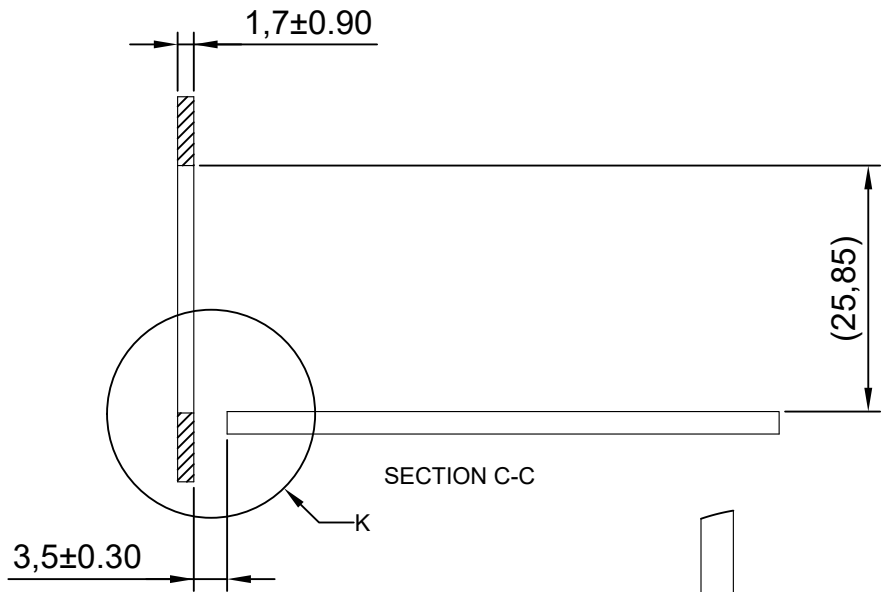
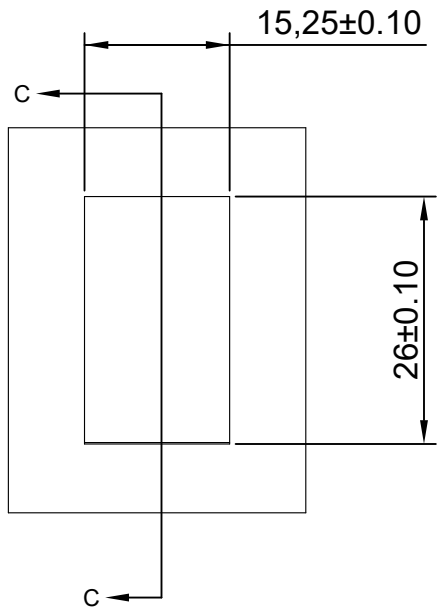
REV.	DESCRIPTION	DATE	SIZE	REV.	FILE NAME:
1			A4	X1	902GHB1BCTAA01A3(X07)



**ECOMMENDED PCB CONFIGURATION**

UNLESS OTHERWISE SPECIFIED TOLERANCE .X±0.20 .X±1° .XX±0.15 .XX±5° .XXX±0.10		 <b>CHANT SINCERE CO.,LTD</b> TEL:886-02-86471251 FAX:886-02-86472362	
SCALE: AS SHOWN	UNIT: mm		
DRAWN: PEARL	07/11/2019	DRAWN NAME: SFP ASSY.2X1 PRESS FIT, NON Grounding Pin 2/4	
CHECKED:		PRODUCT NO. 902GHB1BCTAAX1A3	
APPROVED:		FILE NAME: 902GHB1BCTAA01A3(X07)	

REV.	DESCRIPTION	DATE	SIZE	REV.	FILE NAME
1			A4	X1	



RECOMMENDED BEZEL DESIGN

UNLESS OTHERWISE SPECIFIED TOLERANCE	
.X±0.20	.X±1°
.XX±0.15	.XX±5°
.XXX±0.10	



CHANT SINCERE CO.,LTD  
TEL 886-02-86471251 FAX 886-02-86472362

SCALE:	AS SHOWN	UNIT:	mm
DRAWN:	PEARL	DATE:	07/11/2019
CHECKED:			
APPROVED:			

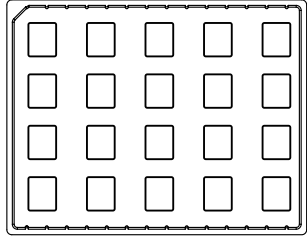
DRAWN NAME:  
SFP ASSY.2X1  
PRESS FIT, NON Grounding Pin 3/4

PRODUCT NO. 902GHB1BCTAAX1A3

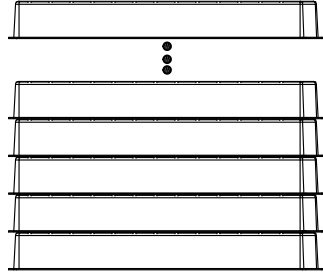
FILE NAME: 902GHB1BCTAA01A3(X07)

REV.	DESCRIPTION	DATE	SIZE	A4	REV.	X1
1						
2						
3						
4						
5						
6						
7						
8						
9						
10						

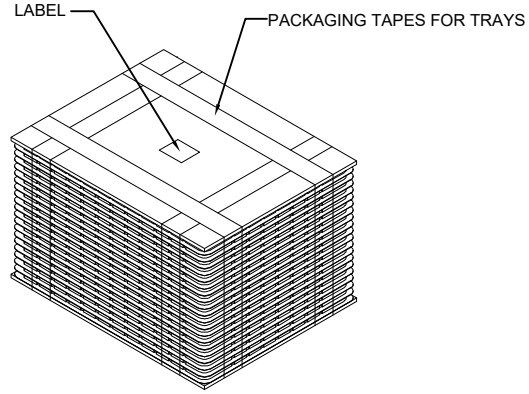
# PACKAGE INFORMATION AND LABEL



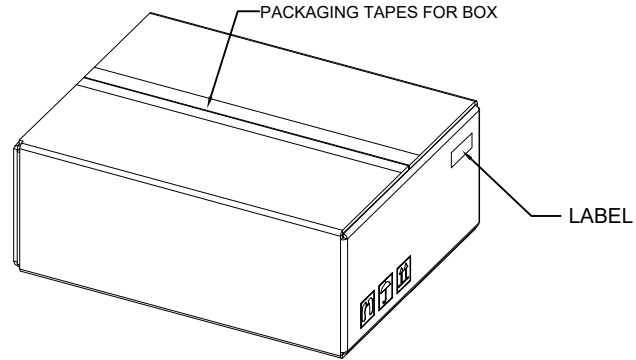
1. PRODUCTS IN TRAYS



2. TRAYS OVERLAY:  
(THE NEXT TRAY NEED ROTATE 180 DEGREE AND PUT IT ON PREVIOUS TRAY.)  
(相邻两个吸塑间水平方向成180度摆放)



3. LABEL & PACKAGING TAPES FOR TRAYS:



4. LABEL & PACKAGING TAPES FOR BOX

PACKAGING LISTS	
ITEM	Q'TY
PRODUCT	120 PCS
TRAY	6 PCS
BOX(L340*W265*H200MM)	1 PCS
LABLE	2 PCS
PACKAGING TAPES	8 M (ABOUT)

UNLESS OTHERWISE SPECIFIED TOLERANCE	
.X±0.20	.X±1°
.XX±0.15	.XX±5°
.XXX±0.10	

SCALE:	AS SHOWN	UNIT:	mm
--------	----------	-------	----

DRAWN:	PEARL	DATE:	07/11/2019
--------	-------	-------	------------

CHECKED:	
----------	--

APPROVED:	
-----------	--

SIZE	A4	REV.	X1
------	----	------	----



<b>CHANT SINCERE CO.,LTD</b> TEL:886-02-86471251 FAX:886-02-86472362	
DRAWN NAME: SFP ASSY.2X1 PRESS FIT, NON Grounding Pin 4/4	
PRODUCT NO. 902GHB1BCTAAX1A3	
FILE NAME: 902GHB1BCTAA01A3(X07)	

REV.	DESCRIPTION	DATE	SIZE	REV.	FILE NAME
------	-------------	------	------	------	-----------