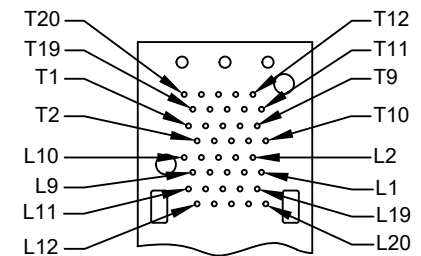


NOTES:
 MATERIAL:
 CAGE: COPPER ALLOY
 CONNECTOR:
 PLASTIC HOUSING: HIGH TEMPERATURE LCP, UL94 V-0.
 LIGHT PIPE: POLYCARBONATE; COLOR: CLEAR
 SPRING: STAINLESS STEEL
 CONTACTS: PHOSPHOR BRONZE
 CONTACT PLATING: 15u" MIN. GOLD ON MATING AREA,
 150u" MATTE TIN ON SOLDER TAILS
 PACKAGING: TRAY PACKAGING.
 OPERATING TEMPERATURE: -40°C TO +105°C
 STORAGE TEMPERATURE: -55°C TO +105°C

PART NUMBER:

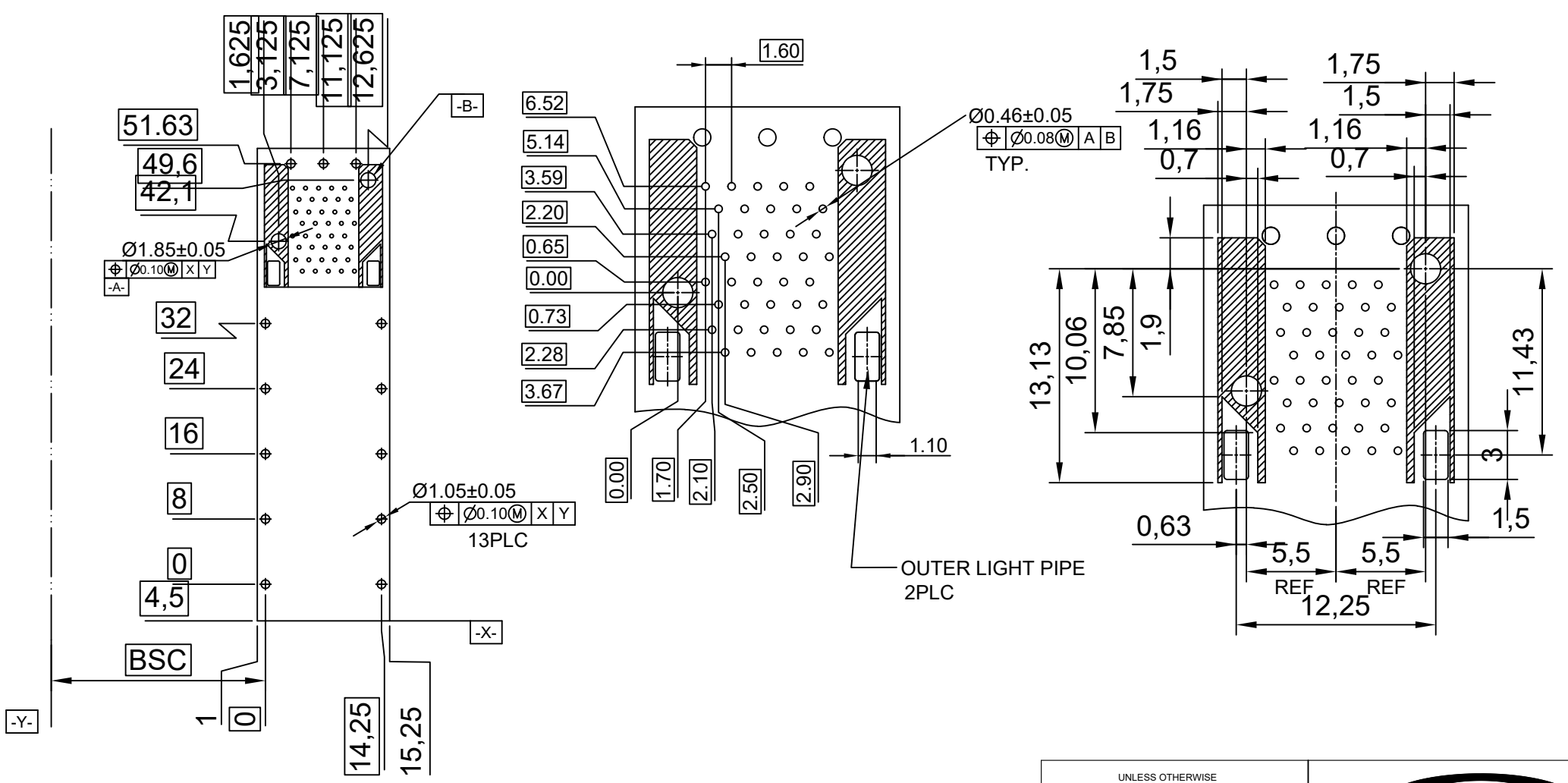
902 G H B1 B C T A2 X 3 A 3
 1 2 3 4 5 6 7 8 9 10 11 12

- | | |
|--|---|
| 1.SERIES NO. | 9.SHELL PLATING/TYPE: |
| 2.TYPE: G=PressFit | 0=Non Plating/Spring |
| 3.GREEN OPTION:
H=RoHS+HF(Matte Plated) | N=Ni Plating(50u" Min)/Spring |
| 4.PORT NO:
B1=2x1 | 10.PROCESS OPTION:
3=With Outer Light Pipe |
| 5.CONTACT TYPE:
B=Female | 11.PACKAGE OPTION:
A=Tray |
| 6.CONTACT PLATING:
C=15u" Gold | 12.INSULATOR COLOR:
3=Black |
| 7.SOLDER TAILS AREA PLATING:
T=Tin plated | |
| 8.TYPE OPTION:
A2=SFP+ ASSEMBLY | |




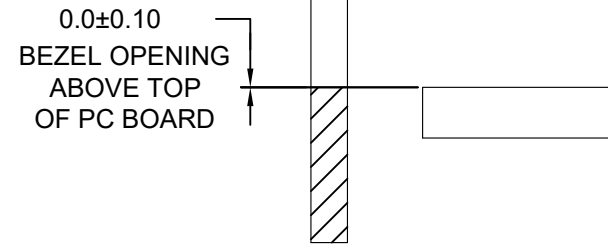
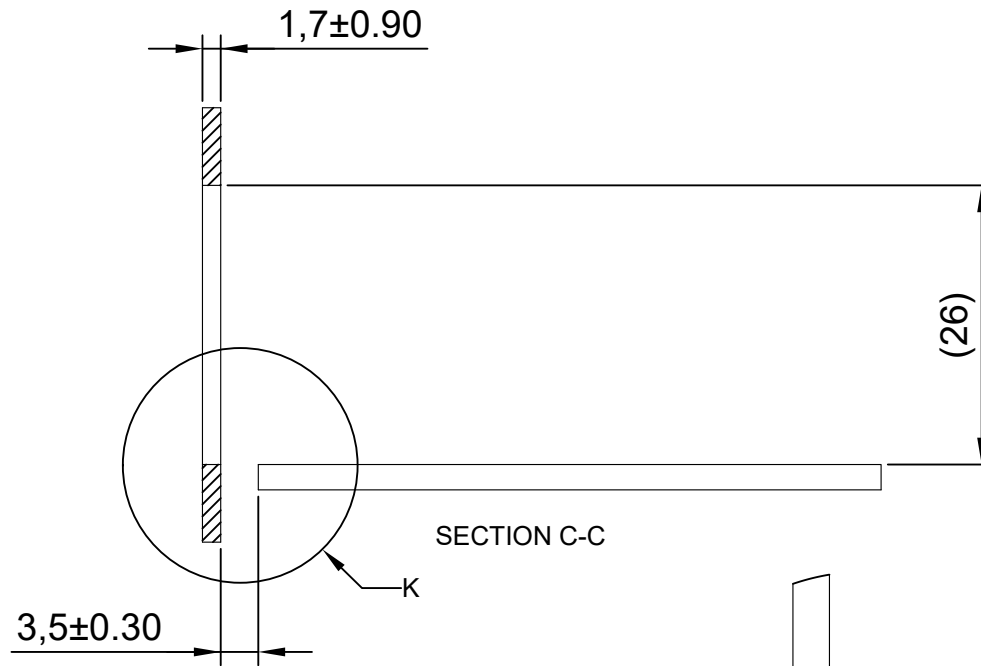
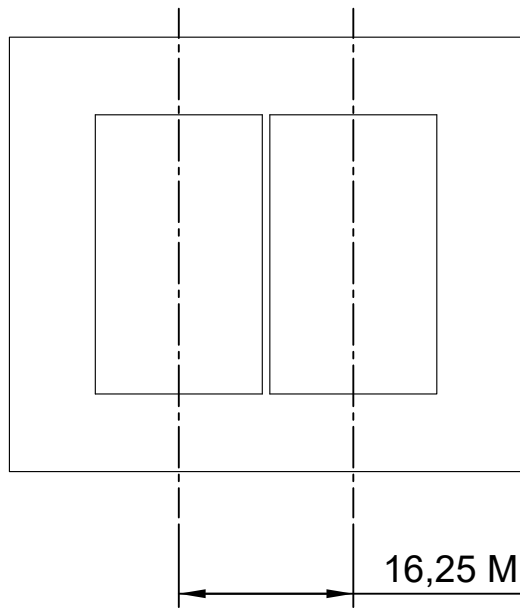
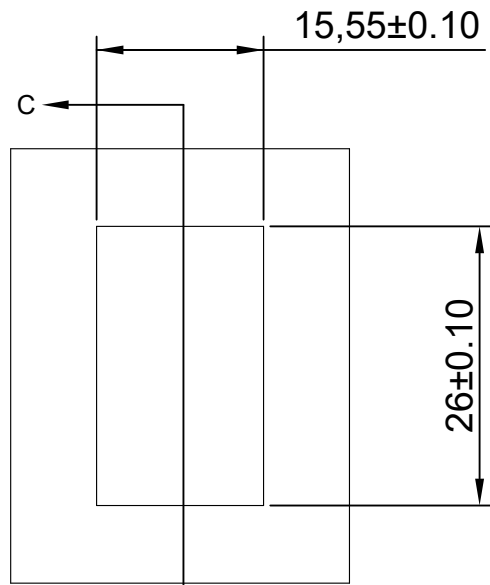
CONNECTOR PIN-OUT
 COMPONENT SIDE OF BOARD

UNLESS OTHERWISE SPECIFIED TOLERANCE			
.X±0.20	.X±1"		
.XX±0.15	.XX±5"	CHANT SINCERE CO.,LTD TEL 886-02-86471251 FAX 886-02-86472362	
SCALE: AS SHOWN	UNIT: mm	DRAWN NAME: SFP+ 2X1 CAGE AND CONNECTOR ASSEMBLY, PRESS FIT, WITH EMI SPRINGS 1/4	
DRAWN: PEARL	10/16/2018	PRODUCT NO. 902GHB1BCTA2X3A3	
CHECKED:		FILE NAME: 902GHB1BCTA203A3(X07)	
APPROVED:			
REV. 1	DESCRIPTION	DATE	SIZE A4 REV. X2



ECOMMENDED PCB CONFIGURATION

UNLESS OTHERWISE SPECIFIED TOLERANCE				
.X±0.20	.X±1"			
.XX±0.15	.XX±5"	CHANT SINCERE CO.,LTD TEL:886-02-86471251 FAX:886-02-86472362		
.XXX±0.10		SCALE: AS SHOWN	UNIT: mm	DRAWN NAME: SFP+ 2X1 CAGE AND CONNECTOR ASSEMBLY, PRESS FIT, WITH EMI SPRINGS 2/4
REV.	DESCRIPTION	DATE	DRAWN: PEARL 10/16/2018 CHECKED: APPROVED:	PRODUCT NO. 902GHB1BCTA2X3A3 FILE NAME: 902GHB1BCTA203A3(X07)



RECOMMENDED BEZEL DESIGN

DETAIL K
2:1

UNLESS OTHERWISE SPECIFIED TOLERANCE	
.X±0.20	.X±1"
.XX±0.15	.XX±5"
.XXX±0.10	

SCALE: AS SHOWN UNIT: mm

DRAWN: PEARL 10/16/2018

CHECKED:

APPROVED:

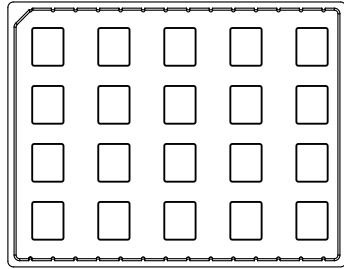
SIZE A4 REV. X2



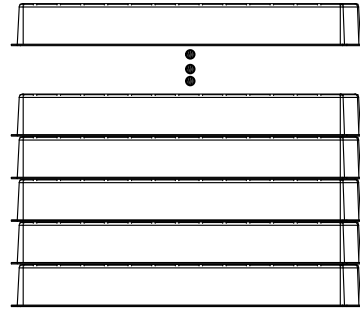
CHANT SINCERE CO.,LTD
 TEL 886-02-86471251 FAX 886-02-86472362
 DRAWN NAME: SFP+ 2X1 CAGE AND CONNECTOR ASSEMBLY, PRESS FIT, WITH EMI SPRINGS 3/4
 PRODUCT NO. 902GHB1BCTA2X3A3
 FILE NAME: 902GHB1BCTA203A3(X07)

REV.	DESCRIPTION	DATE

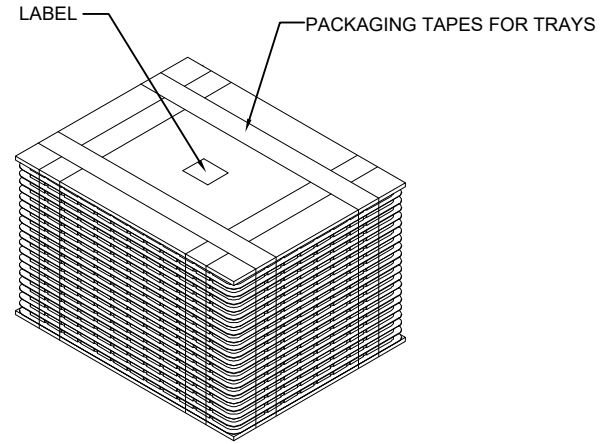
PACKAGE INFORMATION AND LABEL



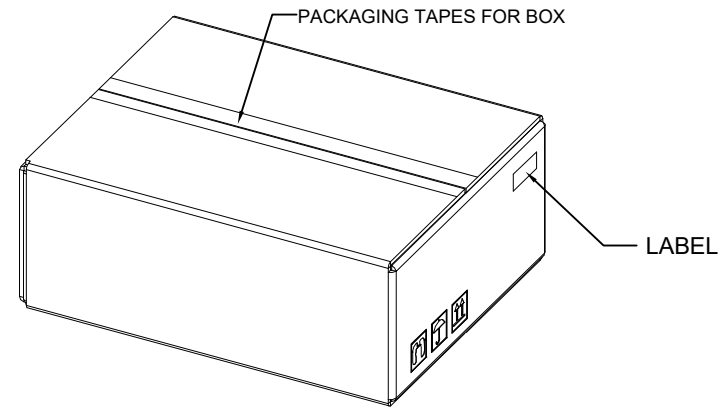
1. PRODUCTS IN TRAYS



2. TRAYS OVERLAY:
(THE NEXT TRAY NEED ROTATE 180 DEGREE AND PUT IT ON PREVIOUS TRAY.)
(相邻两个吸塑间水平方向成180度摆放)



3. LABEL & PACKAGING TAPES FOR TRAYS:



4. LABEL & PACKAGING TAPES FOR BOX

PACKAGING LISTS	
ITEM	Q'TY
PRODUCT	180 PCS
TRAY	9 PCS
BOX(L340*W265*H200MM)	1 PCS
LABLE	2 PCS
PACKAGING TAPES	8 M (ABOUT)

UNLESS OTHERWISE SPECIFIED TOLERANCE			
.X±0.20	.X±1"	CHANT SINCERE CO.,LTD TEL:886-02-86471251 FAX:886-02-86472362	
.XX±0.15	.XX±5"	SCALE: AS SHOWN	UNIT: mm
.XXX±0.10		DRAWN: PEARL	10/16/2018
		CHECKED:	
		APPROVED:	
		SIZE A4	REV. X2
		DATE	FILE NAME: 902GHB1BCTA203A3(X07)
			DRAWN NAME: SFP+ 2X1 CAGE AND CONNECTOR ASSEMBLY, PRESS FIT, WITH EMI SPRINGS 4/4 PRODUCT NO. 902GHB1BCTA2X3A3

REV.	DESCRIPTION	DATE