

CONNECTOR PIN-OUT
COMPONENT SIDE OF BOARD

NOTES:
 MATERIAL:
 CAGE: COPPER ALLOY
 CONNECTOR:
 PLASTIC HOUSING: HIGH TEMPERATURE LCP, UL94 V-0.
 LIGHT PIPE: POLYCARBONATE; COLOR: CLEAR
 SPRING: STAINLESS STEEL
 CONTACTS: PHOSPHOR BRONZE
 CONTACT PLATING: 15u" MIN. GOLD ON MATING AREA,
 150u" MATTE TIN ON SOLDER TAILS
 PACKAGING: TRAY PACKAGING.
 TEMPERATURE RANGE: -40°C TO +85°C

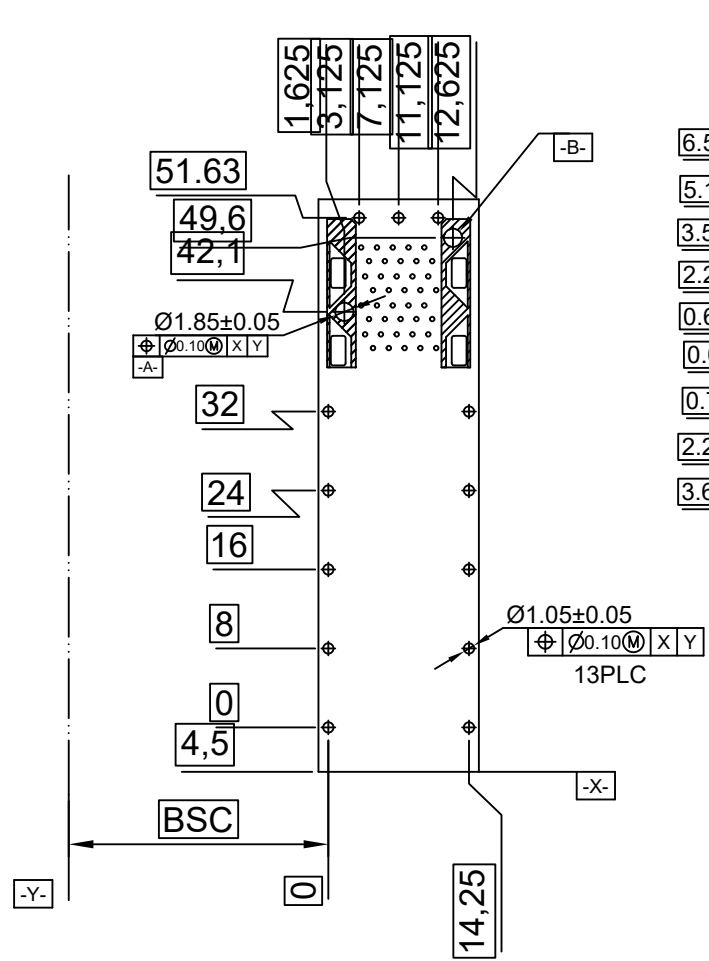
PART NUMBER:

902 G H B1 B C T A2 X 1 A 3
 1 2 3 4 5 6 7 8 9 10 11 12

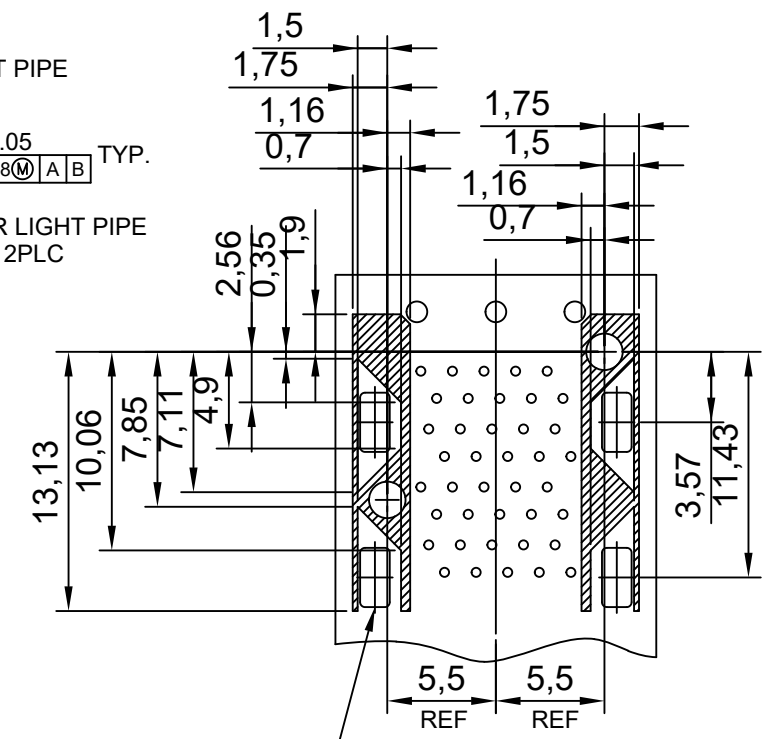
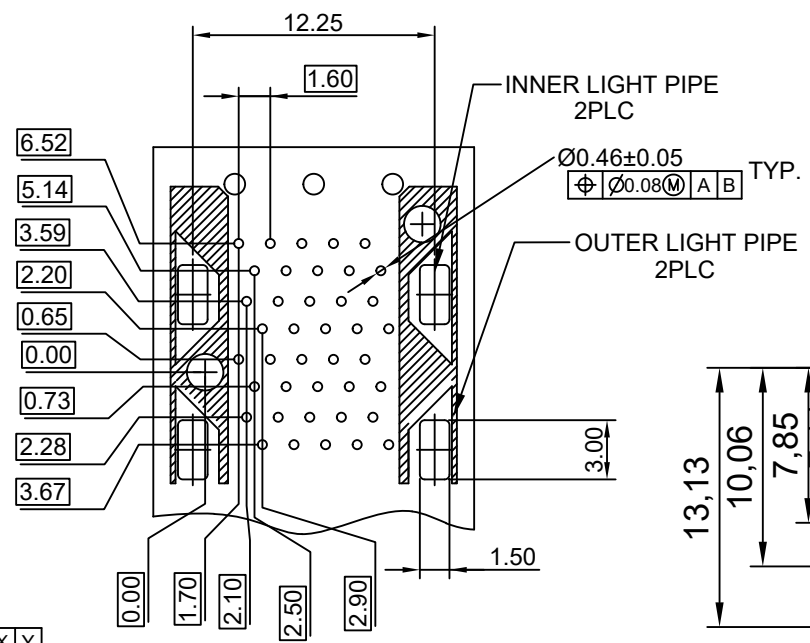
- 1.SERIES NO.
- 2.TYPE: G=PressFit
- 3.GREEN OPTION:
H=RoHS+HF(Matte Plated)
- 4.PORT NO:
B1=2x1
- 5.CONTACT TYPE:
B=Female
- 6.CONTACT PLATING:
C=15u" Gold
T=Tin plated
- 7.SOLDER TAILS AREA PLATING:
T=Tin plated
- 8.TYPE OPTION:
A2=SFP+ ASSEMBLY
- 9.SHELL PLATING/TYP:
0=Non Plating/Spring
N=Ni Plating(50u" Min)/Spring
- 10.PROCESS OPTION:
1=With Inner&Outer Light Pipe
- 11.PACKAGE OPTION:
A=Tray
- 12.INSULATOR COLOR:
3=Black

UNLESS OTHERWISE SPECIFIED TOLERANCE			
.X±0.20	.X±1"		
.XX±0.15	.XX±5"	CHANT SINCERE CO.,LTD TEL:886-02-86471251 FAX:886-02-86472962	
SCALE: AS SHOWN	UNIT: mm	Title:	
DRAWN PEARL	2019/08/21	SFP+ 2X1 CAGE+CONNECTOR 1/4	
CHECKED		Part NO. 902GHB1BCTA201A3	
APPROVED		Code: X07	Customer:

Zone	Revision	DESCRIPTION	DATE
1			
2			
3			
4			
5			
6			
7			
8			
9			
10			



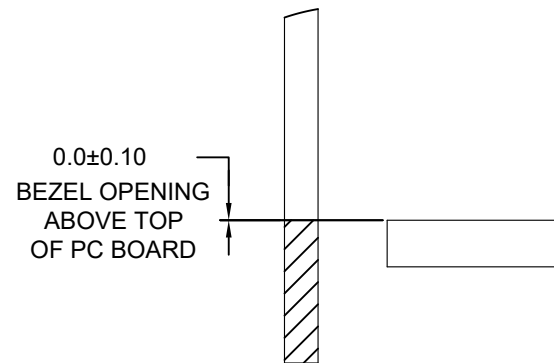
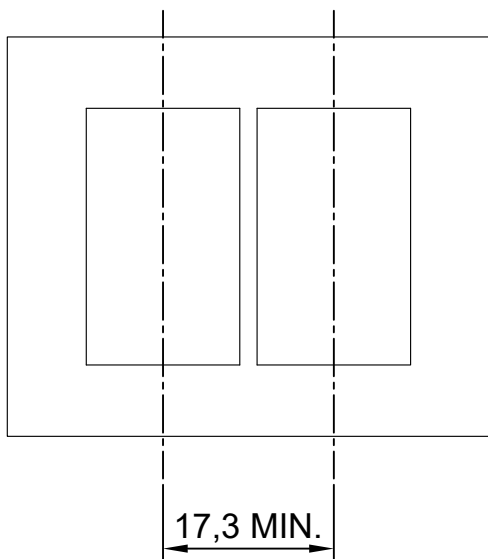
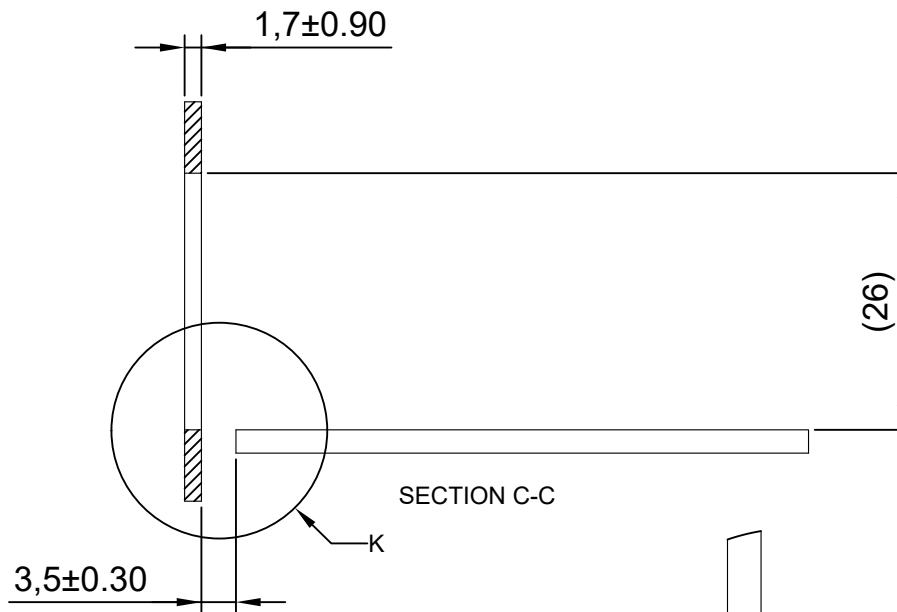
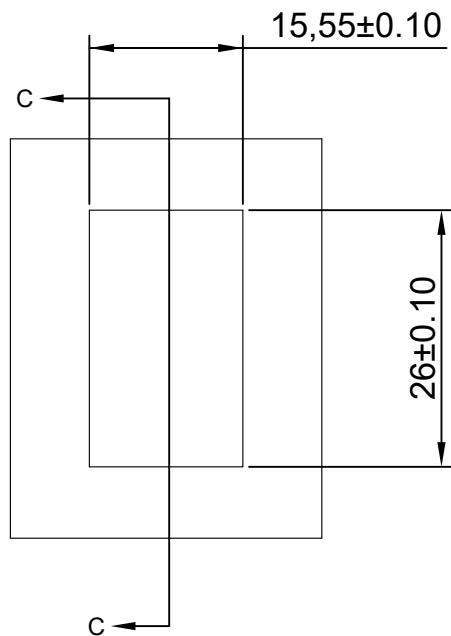
ECOMMENDED PCB CONFIGURATION



THE HATCHED AREA IN THIS VIEW INDICATES ZONES THAT ARE OCCUPIED BY THE PLASTIC HOUSING THAT SEATS AGAINST THE PCB AND BY THE VERTICAL METAL CAGE WALL THAT STOPS JUST SHORT OF THE PCB

UNLESS OTHERWISE SPECIFIED TOLERANCE		
.X±0.20	.X±1"	
.XX±0.15	.XX±5"	CHANT SINCERE CO.,LTD TEL:886-02-86471251 FAX:886-02-86472962
.XXX±0.10		Title: SFP+ 2X1 CAGE+CONNECTOR 2/4
SCALE: AS SHOWN	UNIT: mm	Part NO. 902GHB1BCTA201A3
DRAWN PEARL	2019/08/21	Code: X07
CHECKED		Customer:
APPROVED		
SIZE A4	REV. X1	

Zone	Revision	DESCRIPTION	DATE
1			
2			
3			
4			
5			
6			



RECOMMENDED BEZEL DESIGN

UNLESS OTHERWISE
SPECIFIED TOLERANCE

.X±0.20	.X±1"
.XX±0.15	.XX±5"
.XXX±0.10	



CHANT SINCERE CO.,LTD
TEL:886-02-86471251 FAX:886-02-86472962

SCALE: AS SHOWN UNIT: mm

DRAWN PEARL 2019/08/21

CHECKED

APPROVED

Title:
SFP+ 2X1 CAGE+CONNECTOR 3/4

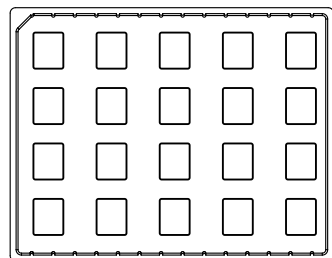
Part NO. 902GHB1BCTA201A3

SIZE A4 REV. X1

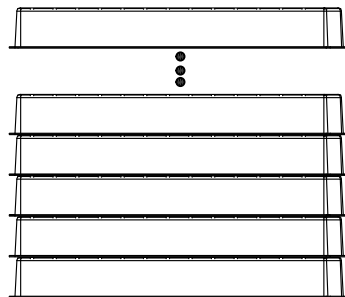
Code: X07 Customer:

Zone	Revision	DESCRIPTION	DATE

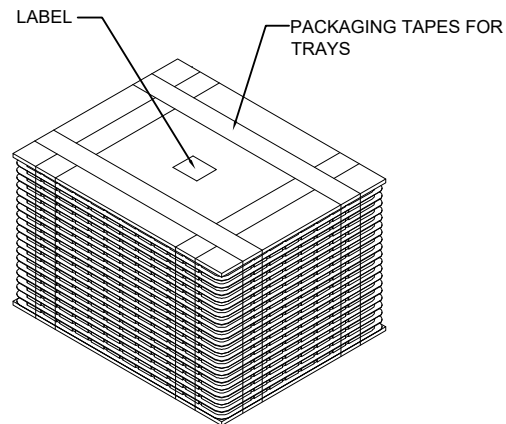
PACKAGE INFORMATION AND LABEL



1. PRODUCTS IN TRAYS



2. TRAYS OVERLAY:
(THE NEXT TRAY NEED ROTATE 180 DEGREE AND PUT IT ON PREVIOUS TRAY.)
(相邻两个吸塑间水平方向成180度摆放)


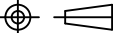


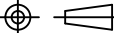
3. LABEL & PACKAGING TAPES FOR TRAYS:



4. LABEL & PACKAGING TAPES FOR BOX

PACKAGING LISTS	
ITEM	Q'TY
PRODUCT	120 PCS
TRAY	6 PCS
BOX(L340*W265*H200MM)	1 PCS
LABLE	2 PCS
PACKAGING TAPES	8 M (ABOUT)

UNLESS OTHERWISE SPECIFIED TOLERANCE .X±0.20 .X±1" .XX±0.15 .XX±5" .XXX±0.10		SCALE: AS SHOWN UNIT: mm		 CHANT SINCERE CO.,LTD TEL:886-02-86471251 FAX:886-02-86472962	
CHECKED		APPROVED		Part NO. 902GHB1BCTA201A3	
Zone		Revision		DESCRIPTION	
DATE		 SIZE A4 REV. X1		Code: X07 Customer:	

Zone		Revision		DESCRIPTION		DATE		 SIZE A4 REV. X1		Code: X07 Customer:	
------	--	----------	--	-------------	--	------	--	--	--	------------------------	--