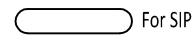


1. MATERIALS:  
 CAGE: STAINLESS STEEL,0.25mm THICKNESS.  
 EMI SPRING:  
 OPTION 1: STAINLESS STEEL,0.06mm THICKNESS.  
 OPTION 2: BERYLLIUM COPPER,0.06mm THICKNESS
2. SURFACE FINISH:  
 CAGE : CLEANING.  
 EMI SPRING: 1. CLEANING,STAINLESS STEEL.  
 2. NICKEL PLATED,BERYLLIUM COPPER.
3. MATE WITH OSFP MSA COMPATIBLE TRANSCEIVER.
4. REFERENCE DOCUMENTS:  
 OSFP MSA SPECIFIC FOR OSFP OCTAL SMALL FORM FACTOR PLUGGABLE MODULE
5. THIS PRODUCT COMPLY TO ROHS DIRECTIVE 2011/65/EU.

902 G E A1 P 0 0 C9 1 0 A 0  
 1 2 3 4 5 6 7 8 9 10 11 12

- |  |   |
|--|---|
| 1.SERIES NO.   | 8.TYPE OPTION: C9=OSFP                              |
| 2.TYPE: G=PressFit   | 9.SHELL PLATING/TYPE:<br>1=NO Plating/Through Bezel |
| 3.GREEN OPTION: E=RoHS   | 10.PROCESS OPTION:<br>0=W/O Heatsink                |
| 4.PORT NO: A1=1x1  | 11.PACKAGE OPTION:<br>A=Tray                        |
| 5.CONTACT TYPE(CAGE MATERIALS):<br>P=Non Distribution(STAINLESS STEEL) | 12.INSULATOR COLOR:<br>0=Non Function               |
| 6.LIGHT PIPE OPTION:<br>0=W/O Light Pipe                               |   |
| 7.LIGHT PIPE DIM. OPTION:<br>0=W/O Light Pipe                          |   |



UNLESS OTHERWISE SPECIFIED TOLERANCE  
 3 PLACE ± 0.1  
 2 PLACE ± 0.2  
 1 PLACE ± 0.3  
 ANGLES X°±2°



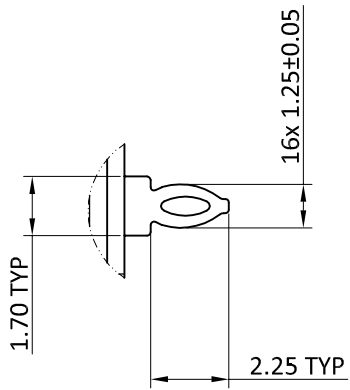
CHANT SINCERE CO.,LTD  
 TEL:886-02-86471251 FAX:886-02-86472962

SCALE: AS SHOWN UNIT: mm  
 DRAWN SUNNY 09/03/2022  
 CHECKED  
 APPROVED

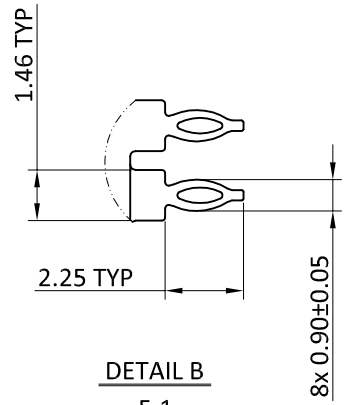
Title: CAGE ASSEMBLY, 1X1, OSFP 1/5  
 Part NO. 902GEA1P00C910A0

Zone	Revision	DESCRIPTION	DATE
1			
2			
3			

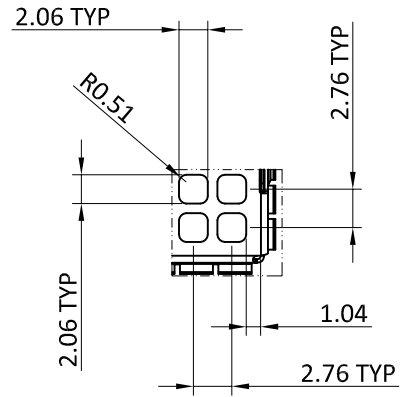
Code: X8 Customer:



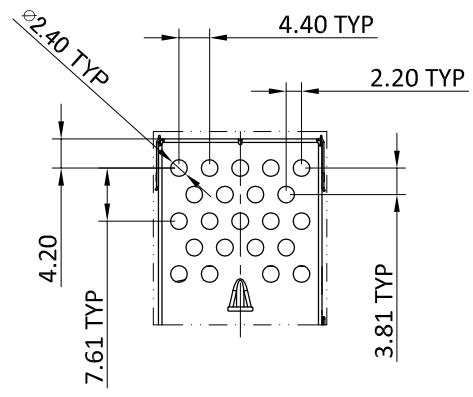
**DETAIL A**  
5:1



**DETAIL B**  
5:1

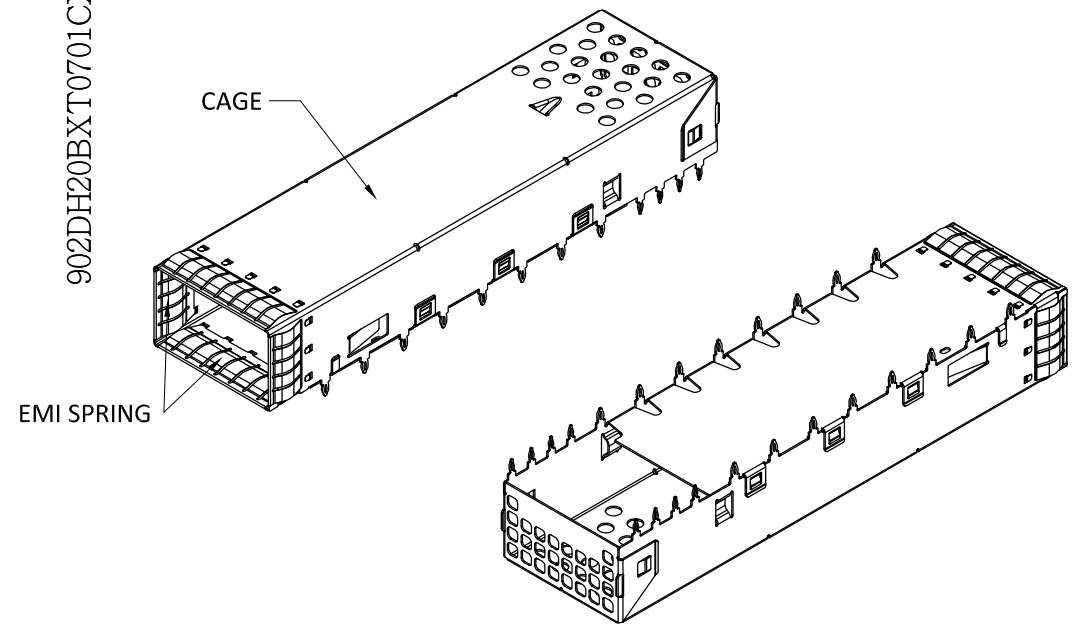


**DETAIL C**  
2:1




**DETAIL D**  
1:1

902DH20BXT0701CX



For SIP

UNLESS OTHERWISE SPECIFIED TOLERANCE	
3 PLACE	± 0.1
2 PLACE	± 0.2
1 PLACE	± 0.3
ANGLES	X°±2°
SCALE:	AS SHOWN
UNIT:	mm
DRAWN	SUNNY
CHECKED	
APPROVED	

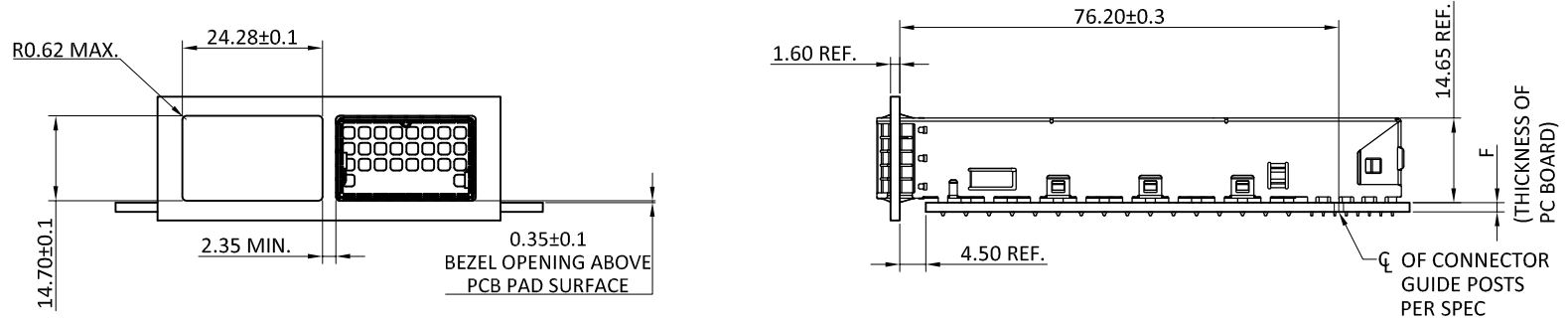


**CHANT SINCERE CO.,LTD**  
TEL:886-02-86471251 FAX:886-02-86472962

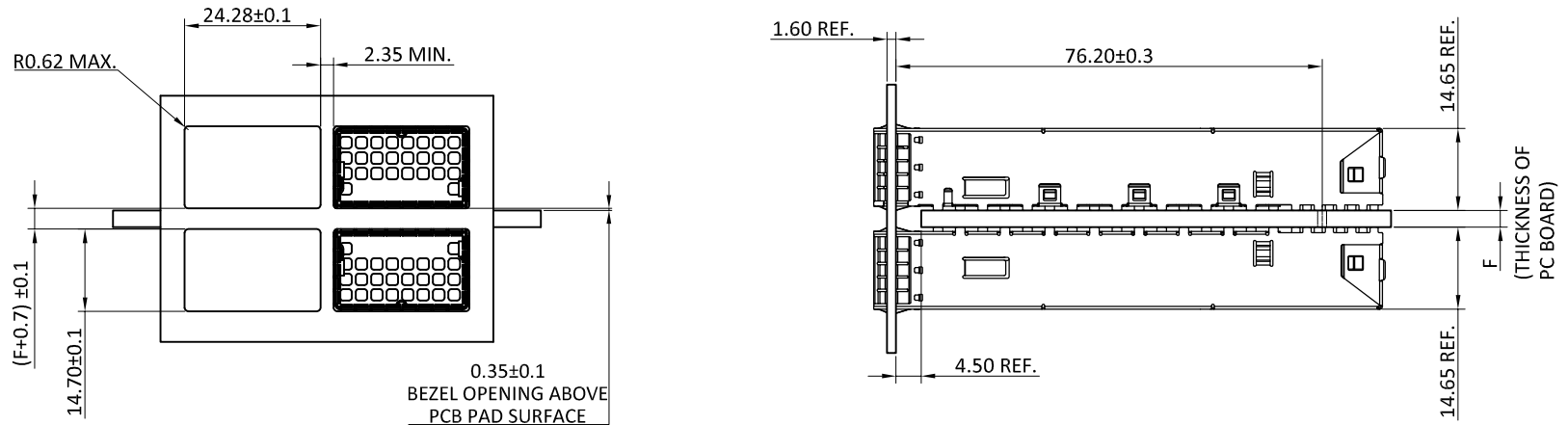
Title: CAGE ASSEMBLY, 1X1, OSFP		2/5
Part NO. 902GEA1P00C910A0		
Code: X8	Customer:	

Zone	Revision	DESCRIPTION	DATE		SIZE A4	REV. X1
------	----------	-------------	------	--	---------	---------

BEZEL AND BOARD POSITION DIMENSION FOR SINGLE SIDE MOUNTING



BEZEL AND BOARD POSITION DIMENSION FOR BELLY TO BELLY MOUNTING



NOTES:

1. THE NORMAL THICKNESS OF CUSTOMER SUPPLIED PC BOARD.(DIM. "F")  
SINGLE SIDED PC BOARD THICKNESS: 1.60mm MIN.  
BELLY TO BELLY PC BOARD MIN. THICKNESS: 3.0mm MIN.
2. GENERAL DIMENSIONAL TOLERANCE  $\pm 0.05$ mm.

For SIP

UNLESS OTHERWISE SPECIFIED TOLERANCE	
3 PLACE	$\pm 0.1$
2 PLACE	$\pm 0.2$
1 PLACE	$\pm 0.3$
ANGLES	$X^{\circ} \pm 2^{\circ}$

SCALE: AS SHOWN UNIT: mm

DRAWN SUNNY 09/03/2022

CHECKED

APPROVED

DATE SIZE A4 REV. X1



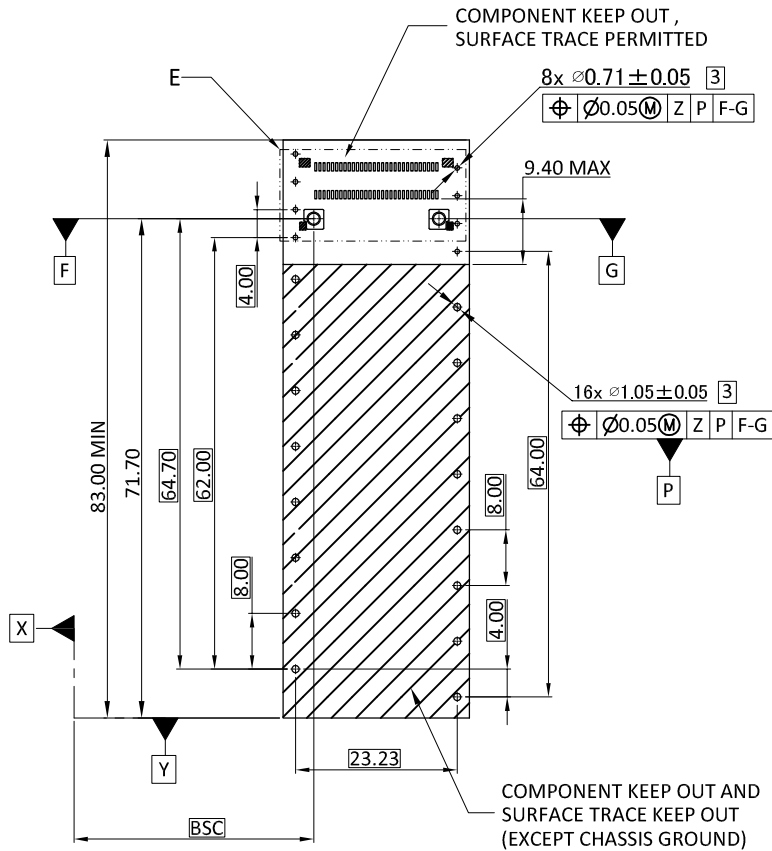
CHANT SINCERE CO.,LTD  
TEL:886-02-86471251 FAX:886-02-86472962

Title: CAGE ASSEMBLY, 1X1, OSFP 3/5

Part NO. 902GEA1P00C910A0

Code: X8 Customer:

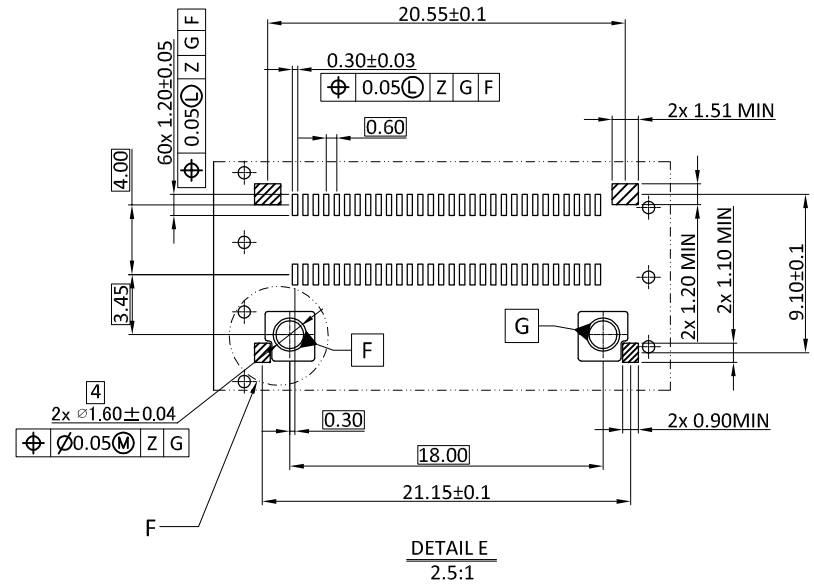
Zone	Revision	DESCRIPTION	DATE
1			
2			
3			
4			
5			
6			
7			
8			
9			
10			



RECOMMENDED SINGLE SIDE PC BOARD LAYOUT

NOTE:

1. DATUM X & Y ARE ESTABLISHED BY THE CUSTOMER'S FIDUCIAL
2. DATUM Z IS THE TOP SURFACE OF THE HOST BOARD
3. FINISHED HOLE SIZE
4. UNPLATED THRU HOLE.



DETAIL E  
2.5:1

For SIP

UNLESS OTHERWISE SPECIFIED TOLERANCE	
3 PLACE	± 0.1
2 PLACE	± 0.2
1 PLACE	± 0.3
ANGLES	X° ± 2°



CHANT SINCERE CO., LTD  
TEL:886-02-86471251 FAX:886-02-86472962

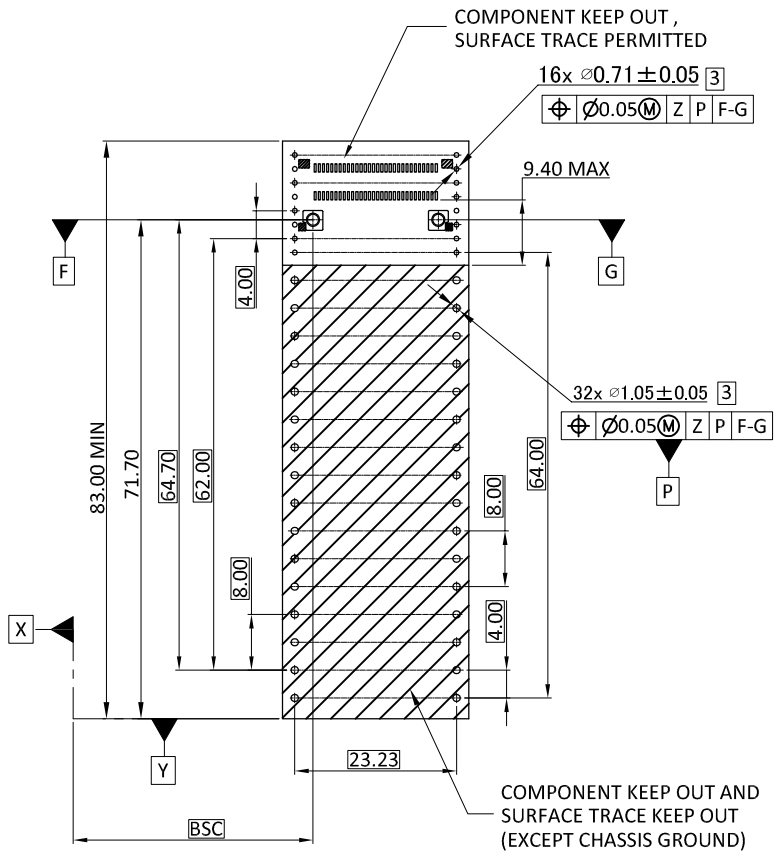
SCALE:	AS SHOWN	UNIT:	mm
DRAWN	SUNNY	DATE	09/03/2022
CHECKED			
APPROVED			

Title: CAGE ASSEMBLY, 1X1, OSFP 4/5

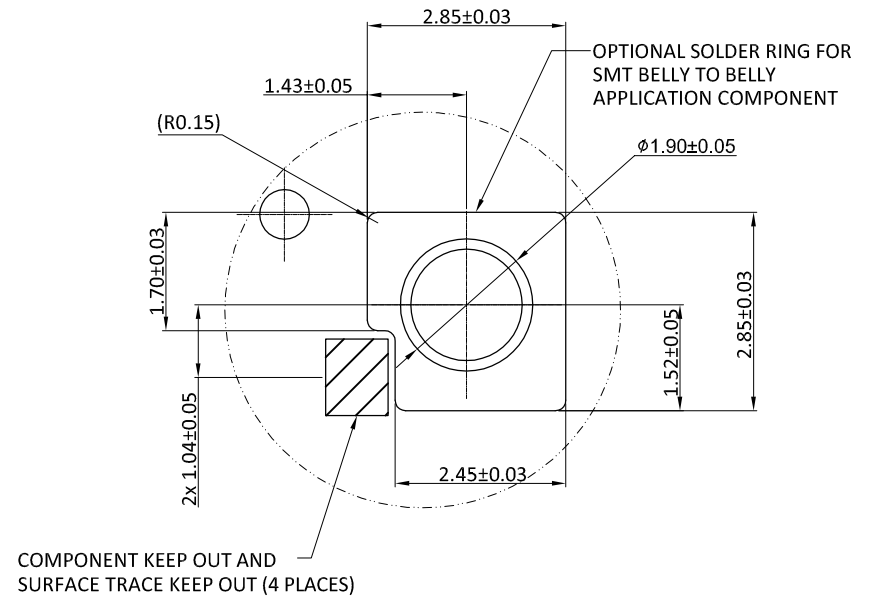
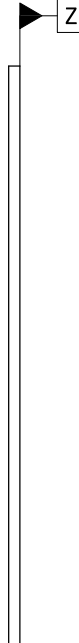
Part NO. 902GEA1P00C910A0

Zone	Revision	DESCRIPTION	DATE
1			
2			
3			
4			
5			
6			
7			
8			
9			
10			

SIZE	A4	REV.	X1	Code:	X8	Customer:	
------	----	------	----	-------	----	-----------	--




RECOMMENDED BELLY TO BELLY PC BOARD LAYOUT



DETAIL F  
10:1

For SIP

UNLESS OTHERWISE SPECIFIED TOLERANCE		 <b>CHANT SINCERE CO.,LTD</b> TEL:886-02-86471251 FAX:886-02-86472962	
3 PLACE	± 0.1		
2 PLACE	± 0.2	Title:	
1 PLACE	± 0.3	CAGE ASSEMBLY, 1X1, OSFP	
ANGLES	X°±2°	Part NO. 902GEA1P00C910A0	
SCALE: AS SHOWN	UNIT: mm	Code: X8	
DRAWN SUNNY	09/03/2022	Customer:	
CHECKED		5/5	
APPROVED		REV. X1	

Zone	Revision	DESCRIPTION	DATE
1			
2			
3			
4			
5			
6			
7			
8			
9			
10			