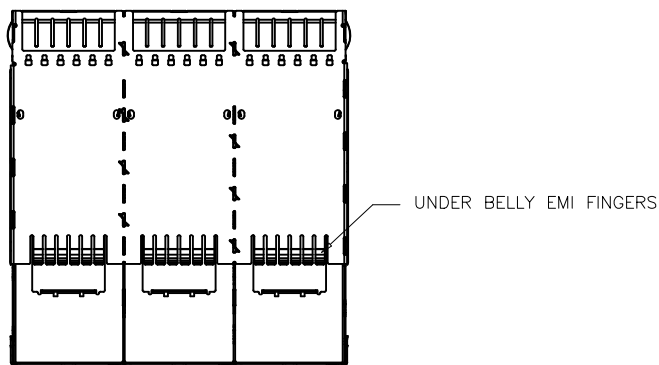
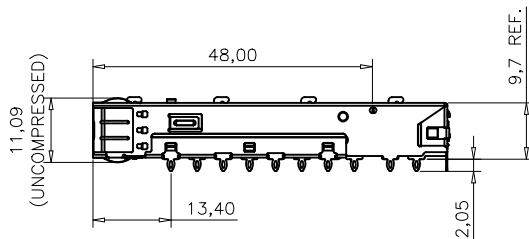
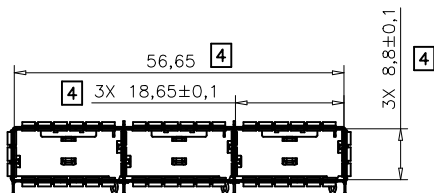
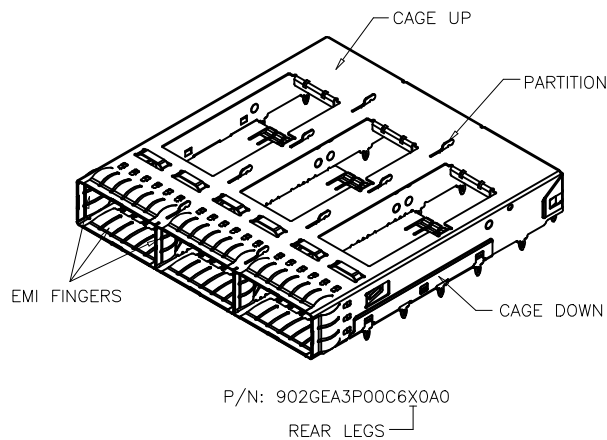
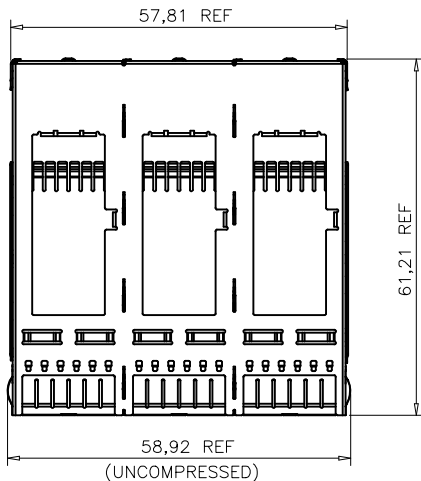
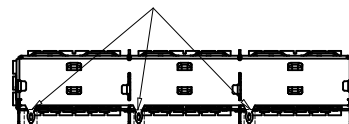


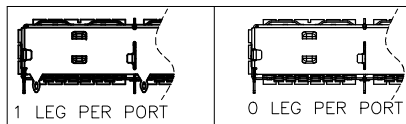
BASE CAGE DETAILS
P/N: 902GEA3P00C6X0A0 SHOWN



REAR LEGS ARE OPTIONAL:
1 LEG OR NO LEG



REAR LEGS OPTIONALS



REMARK: APPLIES TO ALL CAGES IN THIS DRAWING

- MATERIALS:**
CAGE UP: STAINLESS STEEL, 0.25 THICKNESS
CAGE DOWN: STAINLESS STEEL, 0.25 THICKNESS
PARTITION: STAINLESS STEEL
EMI FINGERS: STAINLESS STEEL
HEATSINK: ALUMINUM
HEATSINK CLIP: STAINLESS STEEL
LIGHT PIPE MATERIAL: CLEAR POLYCARBONATE
CAP: HIGH TEMPERATURE THERMOPLASTIC 94V-0, BLACK
- SURFACE FINISH:**
BODY CAGE: CLEANING
EMI SPRING FINISH: CLEANING AND HOLE SEALING
HEATSINK FINISH: BLACK ANODIZED
HEATSINK CLIP FINISH: CLEANING
- MATE WITH QSFP MSA COMPATIBLE TRANSCEIVER.**
- INSIDE SURFACE OF CASSET WHEN FULLY COMPRESSED.**
- REFERENCE DOCUMENTS:**
PRODUCT SPECIFICATION: SFF-8663
- THIS PRODUCT COMPLY TO ROHS DIRECTIVE 2011/65/EU.**

902 G E A3 P X X C6 X X A 0
1 2 3 4 5 6 7 8 9 10 11 12

- SERIES NO.**
- TYPE:** G=PressFit
- GREEN OPTION:** E=RoHS
- PORT NO:** A3=1x3
- CONTACT TYPE:** P=Non Distribution
- LIGHT PIPE OPTION:**
0=W/O Light Pipe
7=W/Light Pipe(Round)&Cap,DIM "A"=9.7mm
C=W/Light Pipe(Round)&Cap,DIM "A"=10.7mm
8=W/Silver Color plating,W/Light Pipe(Round)W/CAP,DIM "A"=9.7mm
9=W/Silver Color plating,W/Light Pipe(Round)W/CAP,DIM A=10.7mm
- LIGHT PIPE DIM. OPTION:**
0=W/O Light Pipe
A=∅2.67mm For Quad Light Pipe

- TYPE OPTION:** C6=QSFP+ 28G Cage
- SHELL PLATING/TYPE:**
1=NO Plating/Through Bezel
7=NO Plating/Through Bezel(1 Legs)
- PROCESS OPTION:**
0=W/O Heatsink, Open Top
1=W/PCI(Heatsink 4.2mm)
2=W/SAN(Heatsink 6.5mm)
3=W/Networking(Heatsink 13.5mm)
- PACKAGE OPTION:**
A=Tray
- INSULATOR COLOR:**
0=Non Function

PART NUMBER SELECTION

NEXTRONICS P/N	REAR LEGS OPTIONALS
902GEA3P00C670A0	1 LEG PER PORT
902GEA3P00C610A0	0 LEG PER PORT

UNLESS OTHERWISE SPECIFIED TOLERANCE
3 PLACE ± 0.1
2 PLACE ± 0.2
1 PLACE ± 0.3
ANGULAR: 'X'±2'

SCALE: AS SHOWN UNIT: mm

DRAWN: PEARL 06/23/2017

CHECKED:

APPROVED:



CHANT SINCERE CO.,LTD
TEL 886-02-8647251 FAX 886-02-86472962

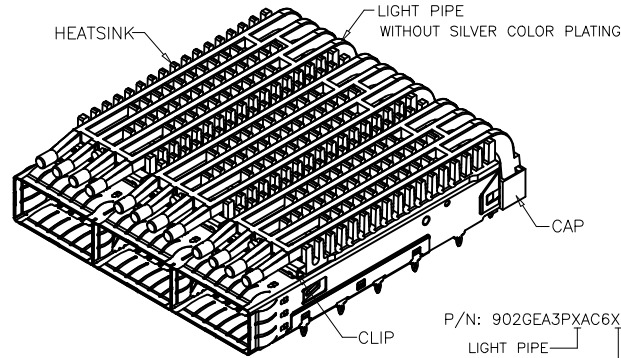
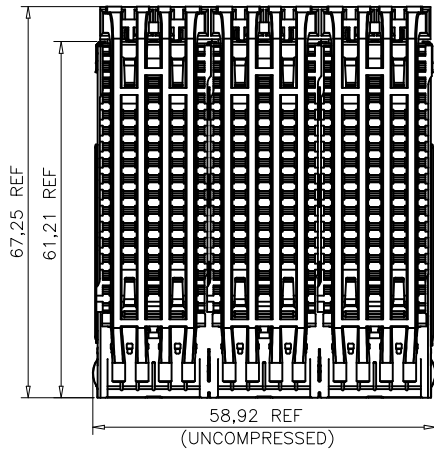
DRAWN NAME: QSFP+ 28G CAGE 1X3 Through Bezel 1/7

PRODUCT NO. 902GEA3PXXC6XXA0

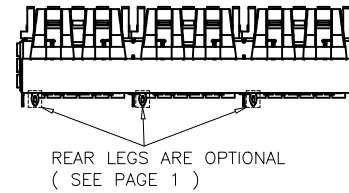
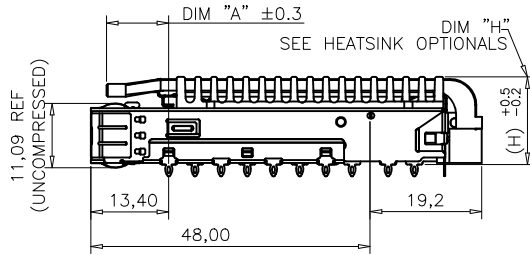
FILE NAME: 902GEA3P7XC61XA0(X8)

REV.	DESCRIPTION	DATE	SIZE	REV.
1			A4	X2

WITH HATSINK, WITH QUAD LIGHT PIPE AND CAP
 LIGHT PIPE WITHOUT SILVER COLOR PLATING

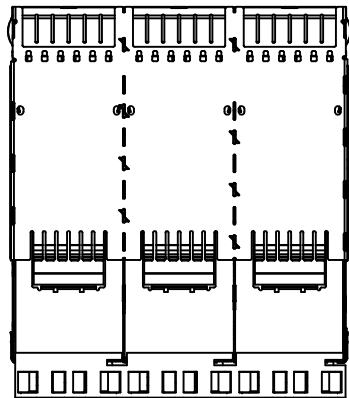
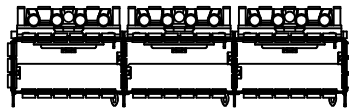
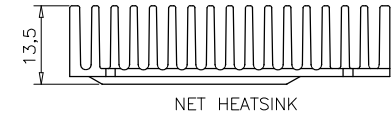
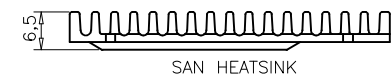
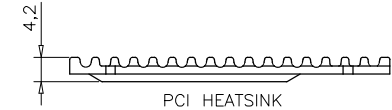


P/N: 902GEA3PXAC6XXA0
 LIGHT PIPE
 REAR LEGS
 HEATSINK



HEATSINK OPTIONS

OVERALL HEATSINK HEIGHT	DIM "H"	
	BEFORE MODULE INSTALLING	AFTER MODULE INSTALLING
PCI HS (4.2mm)	12.8	13.7
SAN HS (6.5mm)	15.1	16.0
NET HS (13.5mm)	22.1	23.0



PART NUMBER SELECTION

P/N	HEATSINK	CAP	LIGHT PIPES	DIM "A"	REAR LEGS
902GEA3P7AC673A0	NET	W/ CAP	QUAD	9.7mm	1 LEG
902GEA3PCAC673A0	NET	W/ CAP	QUAD	10.7mm	1 LEG
902GEA3P7AC613A0	NET	W/ CAP	QUAD	9.7mm	0 LEG
902GEA3PCAC613A0	NET	W/ CAP	QUAD	10.7mm	0 LEG
902GEA3P7AC672A0	SAN	W/ CAP	QUAD	9.7mm	1 LEG
902GEA3PCAC672A0	SAN	W/ CAP	QUAD	10.7mm	1 LEG
902GEA3P7AC612A0	SAN	W/ CAP	QUAD	9.7mm	0 LEG
902GEA3PCAC612A0	SAN	W/ CAP	QUAD	10.7mm	0 LEG
902GEA3P7AC671A0	PCI	W/ CAP	QUAD	9.7mm	1 LEG
902GEA3PCAC671A0	PCI	W/ CAP	QUAD	10.7mm	1 LEG
902GEA3P7AC611A0	PCI	W/ CAP	QUAD	9.7mm	0 LEG
902GEA3PCAC611A0	PCI	W/ CAP	QUAD	10.7mm	0 LEG

UNLESS OTHERWISE SPECIFIED TOLERANCE
 3 PLACE ± 0.1
 2 PLACE ± 0.2
 1 PLACE ± 0.3
 ANGULAR: X°±2'



CHANT SINCERE CO.,LTD
 TEL 886-02-86471251 FAX 886-02-86472962

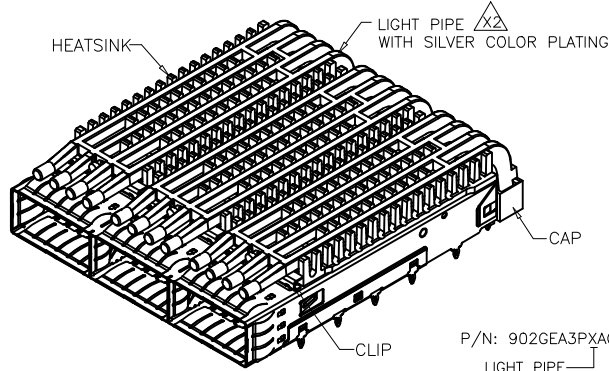
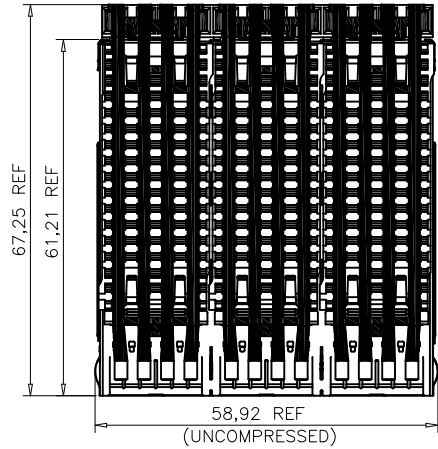
SCALE: AS SHOWN	UNIT: mm
DRAWN: PEARL	06/23/2017
CHECKED:	
APPROVED:	

DRAWN NAME: QSFP+ 28G CAGE 1X3 Through Bezel 2/7
PRODUCT NO. 902GEA3PXXC6XXA0
FILE NAME: 902GEA3P7XC61XA0(X8)

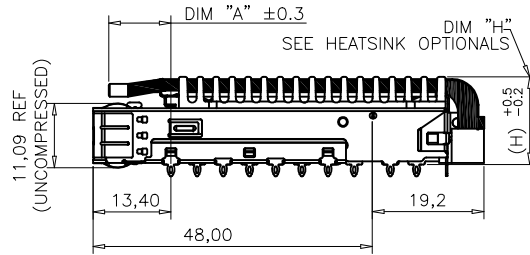
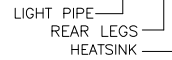
REV.	DESCRIPTION	DATE	SIZE	REV.
1			A4	X2

WITH HATSINK, WITH QUAD LIGHT PIPE AND CAP

LIGHT PIPE WITH SILVER COLOR PLATING



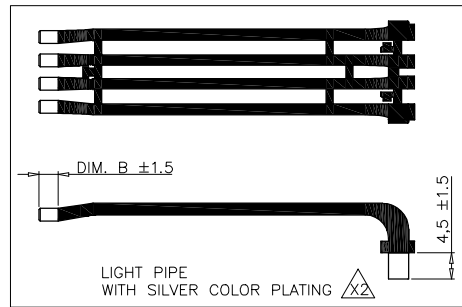
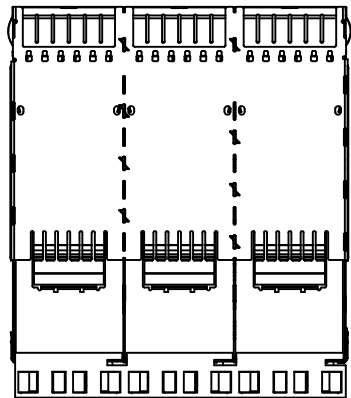
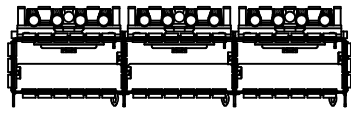
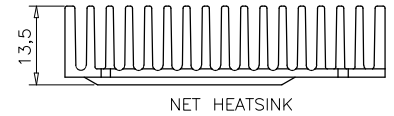
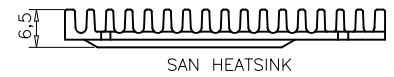
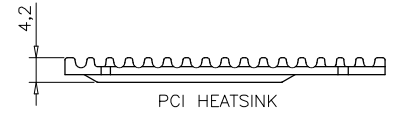
P/N: 902GEA3PXAC6XXA0



REAR LEGS ARE OPTIONAL
(SEE PAGE 1)

HEATSINK OPTIONS

OVERALL HEATSINK HEIGHT	DIM "H"	
	BEFORE MODULE INSTALLING	AFTER MODULE INSTALLING
PCI HS (4.2mm)	12.8	13.7
SAN HS (6.5mm)	15.1	16.0
NET HS (13.5mm)	22.1	23.0



PART NUMBER SELECTION

P/N	HEATSINK	CAP	DIM "B"	LIGHT PIPES	DIM "A"	REAR LEGS
902GEA3P8AC673A0	NET	W/ CAP	2.3mm	QUAD	9.7mm	1 LEG
902GEA3P9AC673A0	NET	W/ CAP	3.3mm	QUAD	10.7mm	1 LEG
902GEA3P8AC613A0	NET	W/ CAP	2.3mm	QUAD	9.7mm	0 LEG
902GEA3PAAC613A0	NET	W/ CAP	3.3mm	QUAD	10.7mm	0 LEG
902GEA3P8AC672A0	SAN	W/ CAP	2.3mm	QUAD	9.7mm	1 LEG
902GEA3P9AC672A0	SAN	W/ CAP	3.3mm	QUAD	10.7mm	1 LEG
902GEA3P8AC612A0	SAN	W/ CAP	2.3mm	QUAD	9.7mm	0 LEG
902GEA3P9AC612A0	SAN	W/ CAP	3.3mm	QUAD	10.7mm	0 LEG
902GEA3P8AC671A0	PCI	W/ CAP	2.3mm	QUAD	9.7mm	1 LEG
902GEA3P9AC671A0	PCI	W/ CAP	3.3mm	QUAD	10.7mm	1 LEG
902GEA3P8AC611A0	PCI	W/ CAP	2.3mm	QUAD	9.7mm	0 LEG
902GEA3P9AC611A0	PCI	W/ CAP	3.3mm	QUAD	10.7mm	0 LEG

UNLESS OTHERWISE SPECIFIED TOLERANCE
3 PLACE ±0.1
2 PLACE ±0.2
1 PLACE ±0.3
ANGULAR: X±2'



CHANT SINCERE CO.,LTD
TEL 886-02-86471251 FAX 886-02-86472962

SCALE: AS SHOWN UNIT: mm

DRAWN: PEARL 06/23/2017

CHECKED:

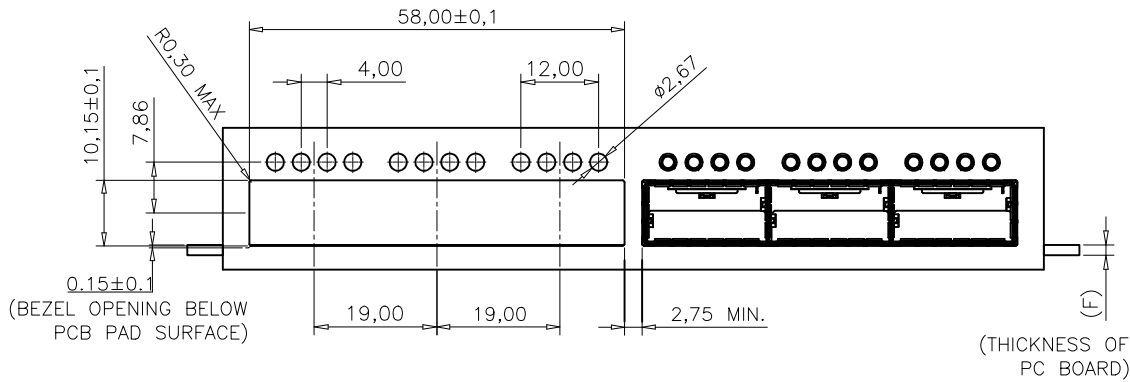
APPROVED:

DRAWN NAME: QSF+ 28G CAGE 1X3 Through Bezel 3/7

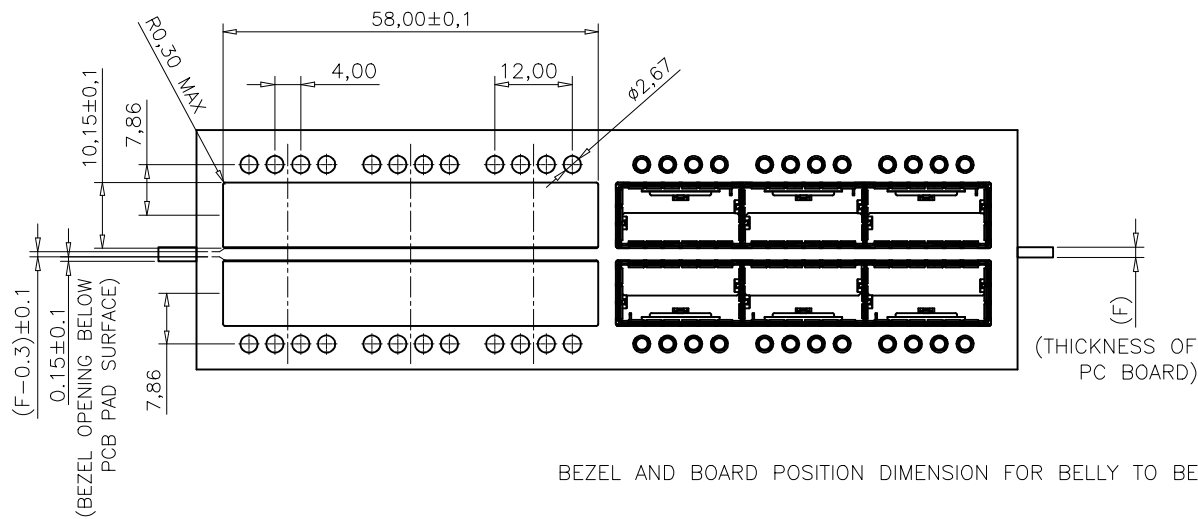
PRODUCT NO. 902GEA3PXXC6XXA0

FILE NAME: 902GEA3P7XC61XA0(X8)

REV.	DESCRIPTION	DATE	SIZE	REV.
1			A4	X2



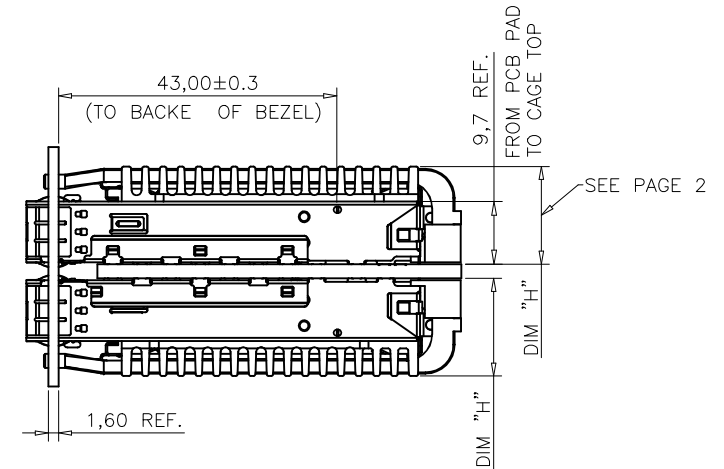
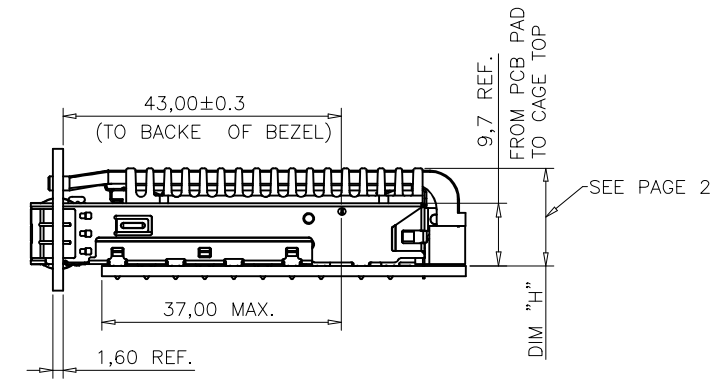
BEZEL AND BOARD POSITION DIMENSION FOR SINGLE SIDE MOUNTING




BEZEL AND BOARD POSITION DIMENSION FOR BELLY TO BELLY MOUNTING

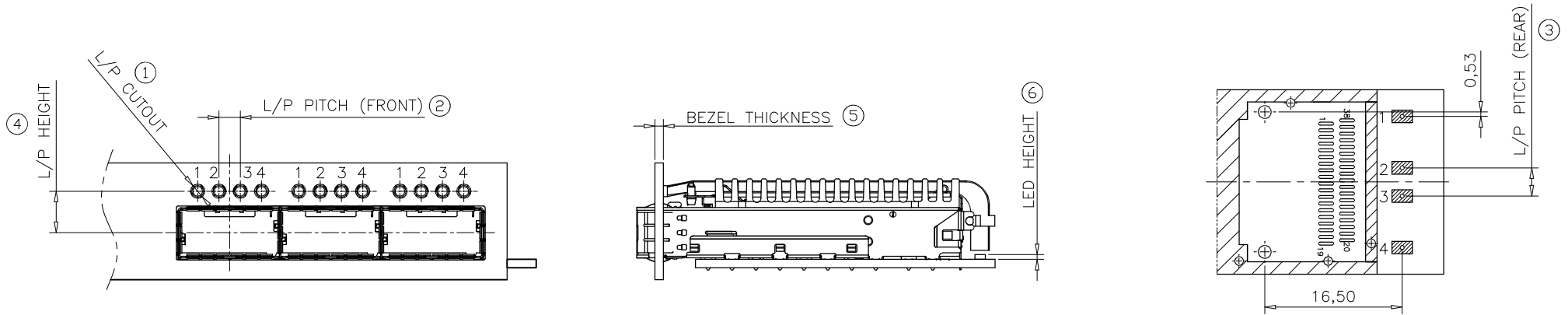
NOTES:

1. THE NORMAL THICKNESS OF CUSTOMER SUPPLIED PC BOARD.(DIM. "F")
SINGLE SIDED PC BOARD THICKNESS: 1.60mm MIN.
BELLY TO BELLY PC BOARD MIN. THICKNESS: 3.0mm MIN.
2. GENERAL TOLERANCE: ±0.05.



							UNLESS OTHERWISE SPECIFIED TOLERANCE 3 PLACE ± 0.1 2 PLACE ± 0.2 1 PLACE ± 0.3 ANGULAR: X±2'		 CHANT SINCERE CO.,LTD TEL 886-02-86471251 FAX 886-02-86472962	
							SCALE: AS SHOWN	UNIT: mm		
							DRAWN: PEARL 06/23/2017		PRODUCT NO. 902GEA3PXXC6XXA0	
							CHECKED:		FILE NAME: 902GEA3P7XC61XA0(X8)	
							APPROVED:			
REV.	DESCRIPTION			DATE	SIZE A4	REV. X2				
1	2	3	4	5	6	7	8	9	10	

		THE DIMENSION FOR MATING BEZEL (UNIT: mm)						
CODE	L/P APPEARANCE	L/P CUT-OUT	L/P PITCH (FRONT)	L/P PITCH (REAR)	L/P HEIGHT	BEZEL THICKNESS	LED HEIGHT	REMARK
0	NO L/P							WITHOUT LIGHT PIPE
A	ROUND	φ2.67	4.00(Equal)	1,4=15.75 2,3=3.40	7.86	1.60	0.8~1.1	APPLIES TO QUAD L/P
		①	②	③	④	⑤	⑥	



UNLESS OTHERWISE SPECIFIED TOLERANCE	
3 PLACE	± 0.1
2 PLACE	± 0.2
1 PLACE	± 0.3
ANGULAR:	X ± 2'
SCALE:	AS SHOWN
UNIT:	mm
DRAWN:	PEARL
CHECKED:	
APPROVED:	
DATE	06/23/2017
SIZE	A4
REV.	X2



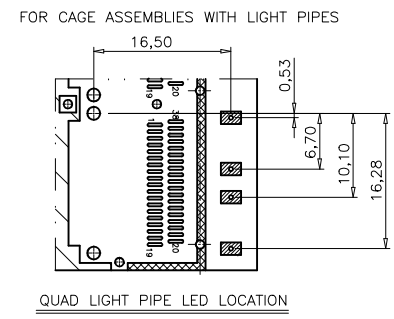
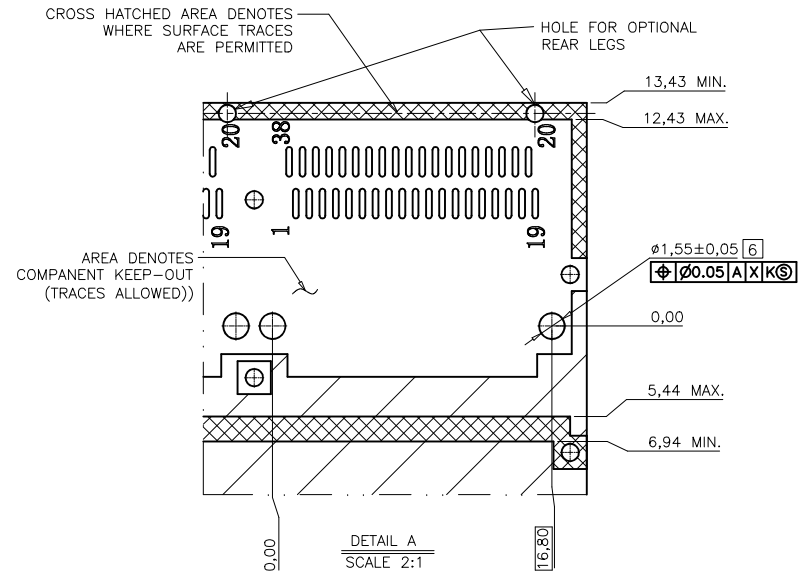
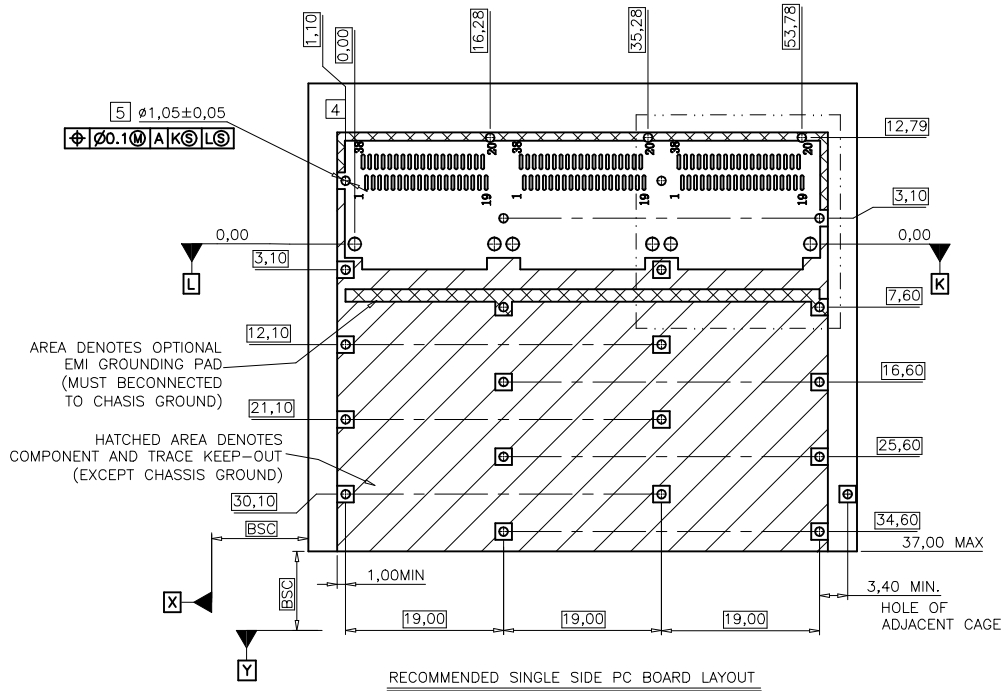
CHANT SINCERE CO.,LTD
TEL 886-02-86471251 FAX 886-02-86472962

DRAWN NAME: QSFP+ 28G CAGE 1X3 Through Bezel 5/7

PRODUCT NO. 902GEA3PXXC6XXA0

FILE NAME: 902GEA3P7XC61XA0(X8)

REV.	DESCRIPTION	DATE
1		
2		
3		
4		
5		
6		



NOTES:

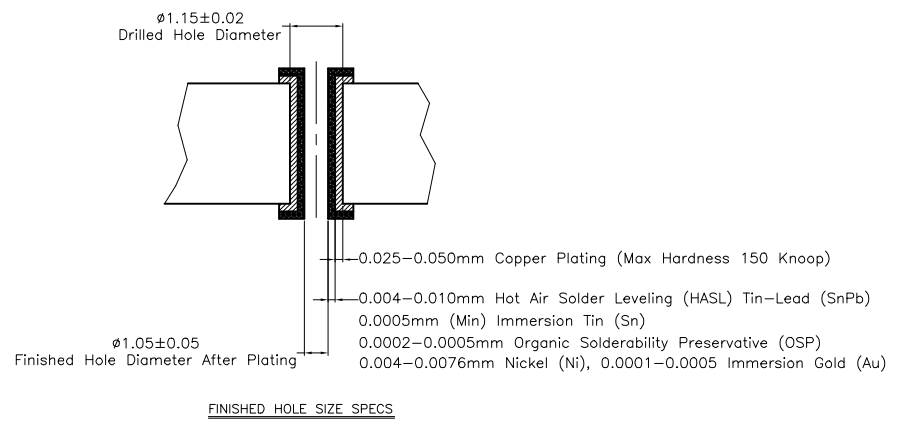
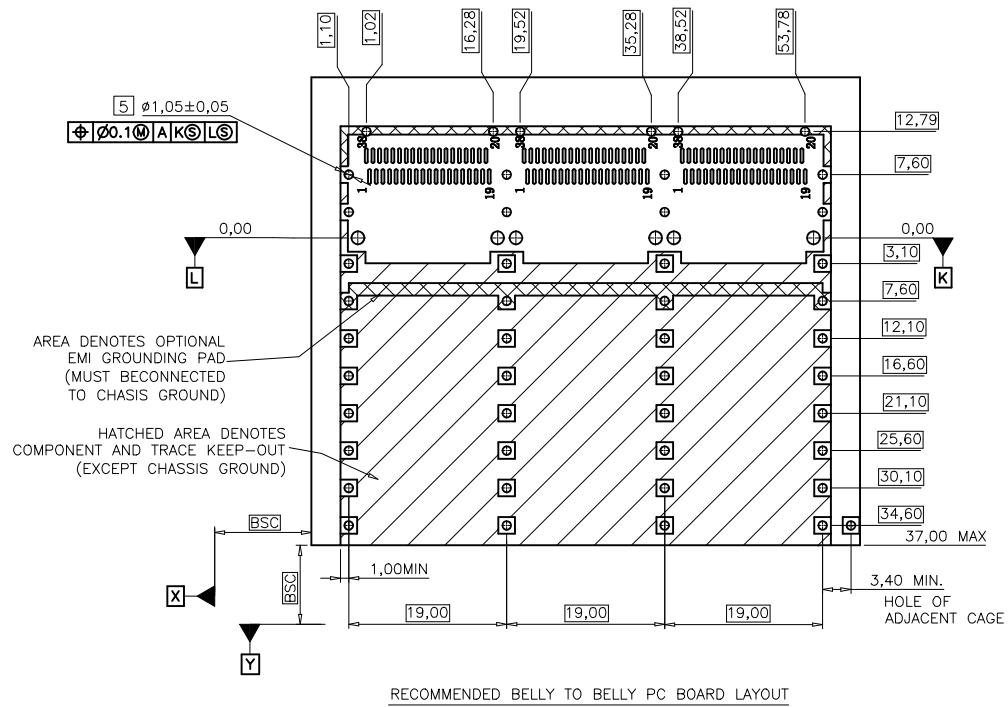
1. DATUM X & Y ARE ESTABLISHED BY THE CUSTOMER'S FIDUCIAL
2. DATUM A IS THE TOP SURFACE OF THE HOST BOARD
3. LOCATION OF THE EDGE OF PCB IS APPLICATION SPECIFIC
4. BASELINE FOR THESE DIMENSIONS IS THE CENTER OF COMPLIANT PIN HOLE.
5. FINISHED HOLE SIZE
6. UNPLATED THRU HOLE.
7. REFER TO SFF8662 FOR CONNECTOR FOOTING DIMENSIONS

UNLESS OTHERWISE SPECIFIED TOLERANCE 3 PLACE ± 0.1 2 PLACE ± 0.2 1 PLACE ± 0.3 ANGULAR: X ± 2'		 CHANT SINCERE CO.,LTD TEL 886-02-8647251 FAX 886-02-8647262
SCALE: AS SHOWN	UNIT: mm	
DRAWN: PEARL	DATE: 06/23/2017	DRAWN NAME: QSFP+ 28G CAGE 1X3 Through Bezel 6/7
CHECKED:		PRODUCT NO. 902GEA3PXXC6XXA0
APPROVED:		FILE NAME: 902GEA3P7XC61XA0(X8)

REV.	DESCRIPTION	DATE	SIZE	REV.
1			A4	X2

1 2 3 4 5 6 7 8 9 10

G
F
E
D
C
B
A



UNLESS OTHERWISE SPECIFIED TOLERANCE 3 PLACE ± 0.1 2 PLACE ± 0.2 1 PLACE ± 0.3 ANGULAR: X'±2'		 CHANT SINCERE CO.,LTD TEL 886-02-86471251 FAX 886-02-86472962
SCALE: AS SHOWN	UNIT: mm	
DRAWN: PEARL	06/23/2017	DRAWN NAME: QSFP+ 28G CAGE 1X3 Through Bezel 7/7
CHECKED:		PRODUCT NO. 902GEA3PXXC6XXA0
APPROVED:		FILE NAME: 902GEA3P7XC61XA0(X8)

REV.	DESCRIPTION	DATE	SIZE	REV.
1			A4	X2

1 2 3 4 5 6 7 8 9 10