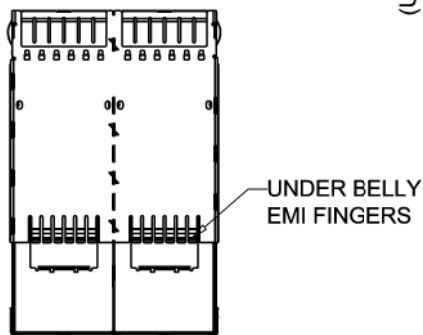
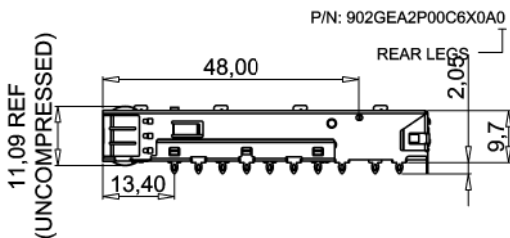
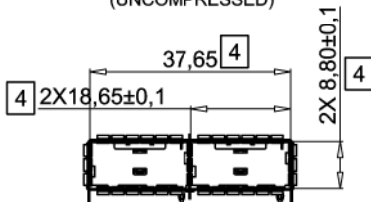
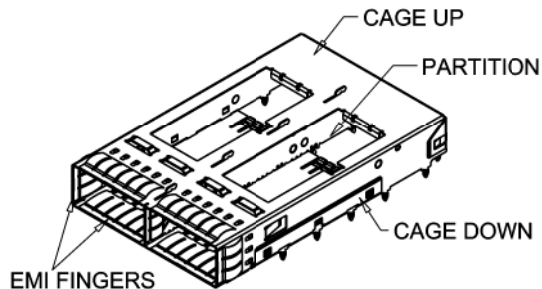
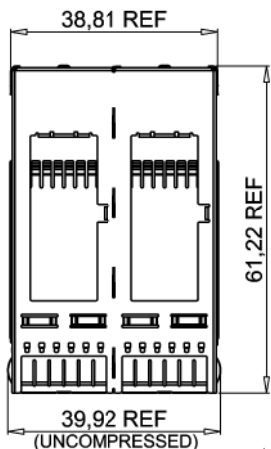
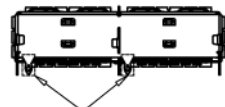
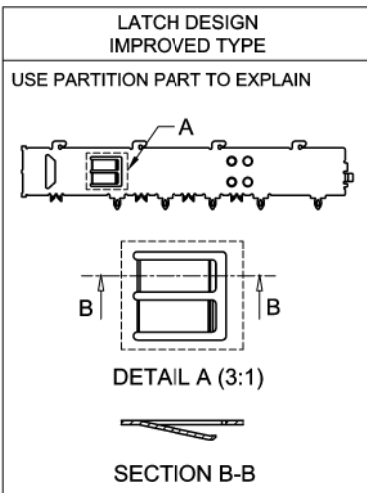


BASE CAGE DETAILS

P/N: 902GEA2P00C6X0A0 SHOWN

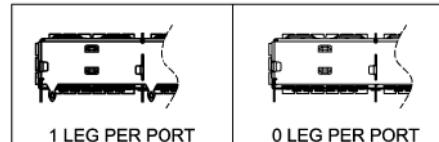


UNDER BELLY EMI FINGERS



REAR LEGS ARE OPTIONAL:
1 LEG OR NO LEG

REAR LEGS OPTIONALS



REMARK: APPLIES TO ALL CAGES IN THIS DRAWING

1. MATERIALS:

- CAGE UP: STAINLESS STEEL, 0.25 THICKNESS
- CAGE DOWN: STAINLESS STEEL, 0.25 THICKNESS
- PARTITION: STAINLESS STEEL, 0.25 THICKNESS
- EMI FINGERS: STAINLESS STEEL
- HEATSINK: ALUMINUM
- HEATSINK CLIP: STAINLESS STEEL
- LIGHT PIPE MATERIAL: CLEAR POLYCARBONATE
- CAP: HIGH TEMPERATURE THERMOPLASTIC 94V-0, BLACK

2. SURFACE FINISH:

- BODY CAGE: CLEANING
- EMI SPRING FINISH: CLEANING AND HOLE SEALING
- HEATSINK FINISH: BLACK ANODIZED
- HEATSINK CLIP FINISH: CLEANING

3. MATE WITH QSFP MSA COMPATIBLE TRANSCEIVER.

- INSIDE SURFACE OF CASSET WHEN FULLY COMPRESSED.

5. REFERENCE DOCUMENTS:

PRODUCT SPECIFICATION: QSFP MSA

6. THIS PRODUCT COMPLY TO ROHS DIRECTIVE 2011/65/EU.

- 1.SERIES NO. 1 2 3 4 5 6 7 8 9 10 11 12
- 2.TYPE: G=PressFit
- 3.GREEN OPTION: E=RoHS
- 4.PORT NO: A2=1x2
- 5.CONTACT TYPE: P=Non Distribution
- 6.LIGHT PIPE OPTION:
 - 0=W/O Light Pipe
 - 7=W/Light Pipe(Round)&Cap,DIM "A"=9.7mm
 - C=W/Light Pipe(Round)&Cap,DIM "A"=10.7mm
 - 8=W/Silver Color plating,W/Light Pipe(Round)W/CAP,DIM "A"=9.7mm
 - 9=W/Silver Color plating,W/Light Pipe(Round)W/CAP,DIM A=10.7mm
- 7.LIGHT PIPE DIM. OPTION:
 - 0=W/O Light Pipe
 - A=#2.67mm For Quad Light Pipe
- 8.TYPE OPTION: C6=QSFP+ 28G Cage
- 9.SHELL PLATING/TYPE:
 - 1=NO Plating/Through Bezel
 - 7=NO Plating/Through Bezel(1 Legs)
- 10.PROCESS OPTION:
 - 0=W/O Heatsink, Open Top
 - 1=W/PCI(Heatsink 4.2mm)
 - 2=W/SAN(Heatsink 6.5mm)
 - 3=W/Networking(Heatsink 13.5mm)
 - F=W/Customized Heatsink(10.0 mm TALL)
- 11.PACKAGE OPTION:
 - A=Tray
- 12.INSULATOR COLOR:
 - 0=Non Function

PART NUMBER SELECTION

P/N	REAR LEGS OPTIONALS
902GEA2P00C670A0	1 LEG PER PORT
902GEA2P00C610A0	0 LEG PER PORT

UNLESS OTHERWISE SPECIFIED TOLERANCE
 3 PLACE ± 0.1
 2 PLACE ± 0.2
 1 PLACE ± 0.3
 ANGULAR: X°± 2°

SCALE: AS SHOWN	UNIT: mm
DRAWN: PEARL	05/13/2019
CHECKED:	
APPROVED:	



CHANT SINCERE CO.,LTD
 TEL:886-02-86471251 FAX:886-02-86472962

DRAWN NAME:	QSFP+ 28G CAGE 1X2 Through Bezel
PRODUCT NO.	902GEA2PXXC6XXA0
FILE NAME:	902GEA2P7XC61XA0(X8)

REV.

DESCRIPTION

DATE



SIZE

A4

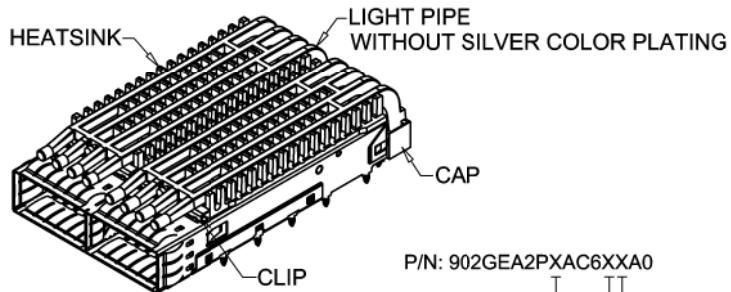
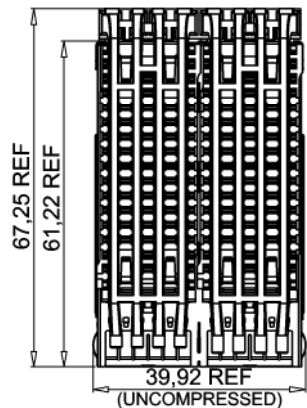
REV.

X3

FILE NAME:

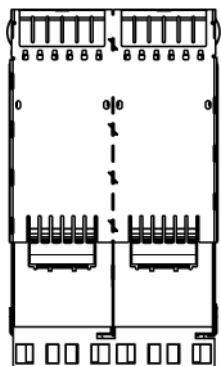
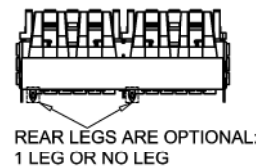
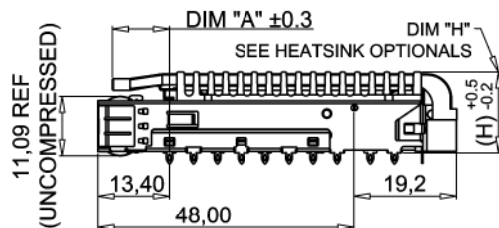
902GEA2P7XC61XA0(X8)

WITH HATSINK, WITH QUAD LIGHT PIPE AND CAP
LIGHT PIPE WITHOUT SILVER COLOR PLATING



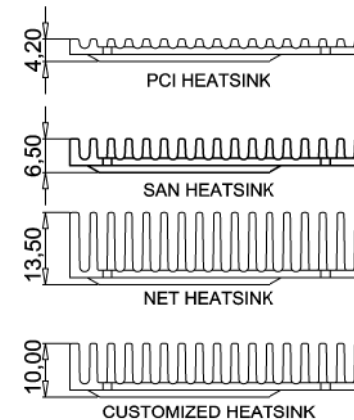
P/N: 902GEA2PXAC6XXA0

LIGHT PIPE
REAR LEGS
HEATSINK



HEATSINK OPTIONS

OVERALL HEATSINK HEIGHT	DIM "H"	
	WITH MODULE INSERTED	WITHOUT MODULE INSERTED
PCI HS (4.2mm)	13.7 REF	12.8 REF
SAN HS (6.5mm)	16.0 REF	15.1 REF
NET HS (13.5mm)	23.0 REF	22.1 REF
Customized HS (10mm)	19.5 REF	18.6 REF



PART NUMBER SELECTION

NEXTRONICS P/N	HEATSINK	LIGHT PIPES	DIM "A"	REAR LEGS
902GEA2P7AC673A0	NET(13.5mm)	QUAD	9.7mm	1 LEG
902GEA2PCAC673A0	NET(13.5mm)	QUAD	10.7mm	1 LEG
902GEA2P7AC613A0	NET(13.5mm)	QUAD	9.7mm	0 LEG
902GEA2PCAC613A0	NET(13.5mm)	QUAD	10.7mm	0 LEG
902GEA2P7AC672A0	SAN(6.5mm)	QUAD	9.7mm	1 LEG
902GEA2PCAC672A0	SAN(6.5mm)	QUAD	10.7mm	1 LEG
902GEA2P7AC612A0	SAN(6.5mm)	QUAD	9.7mm	0 LEG
902GEA2PCAC612A0	SAN(6.5mm)	QUAD	10.7mm	0 LEG
902GEA2P7AC671A0	PCI(4.2mm)	QUAD	9.7mm	1 LEG
902GEA2PCAC671A0	PCI(4.2mm)	QUAD	10.7mm	1 LEG
902GEA2P7AC611A0	PCI(4.2mm)	QUAD	9.7mm	0 LEG
902GEA2PCAC611A0	PCI(4.2mm)	QUAD	10.7mm	0 LEG
902GEA2P7AC67FA0	10.0mm HS	QUAD	9.7mm	1 LEG
902GEA2PCAC67FA0	10.0mm HS	QUAD	10.7mm	1 LEG
902GEA2P7AC61FA0	10.0mm HS	QUAD	9.7mm	0 LEG
902GEA2PCAC61FA0	10.0mm HS	QUAD	10.7mm	0 LEG

UNLESS OTHERWISE SPECIFIED TOLERANCE
3 PLACE ± 0.1
2 PLACE ± 0.2
1 PLACE ± 0.3
ANGULAR: X° ± 2°



CHANT SINCERE CO.,LTD
TEL 886-02-86471251 FAX 886-02-86472962

SCALE: AS SHOWN UNIT: mm

DRAWN: PEARL 05/13/2019

CHECKED:

APPROVED:

DRAWN NAME: QSF+ 28G CAGE 1X2 Through Bezel 2/7

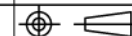
PRODUCT NO. 902GEA2PXXC6XXA0

FILE NAME: 902GEA2P7XC61XA0(X8)

REV.

DESCRIPTION

DATE



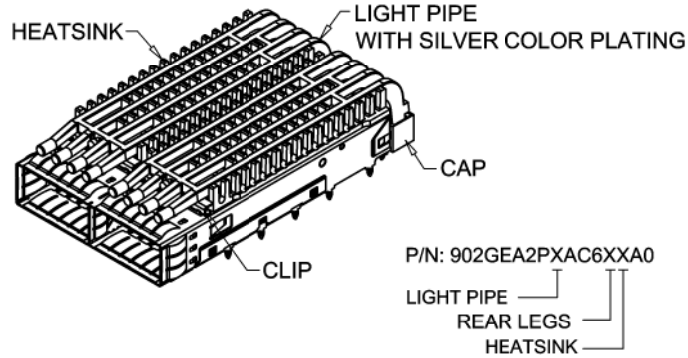
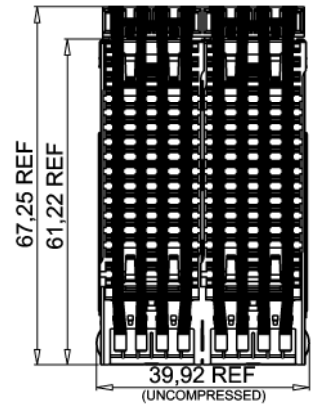
SIZE

A4

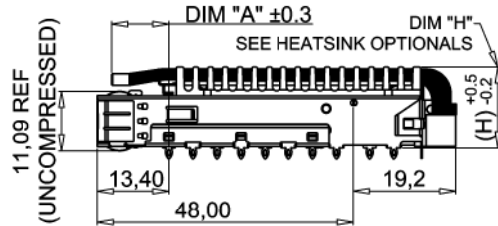
REV.

X3

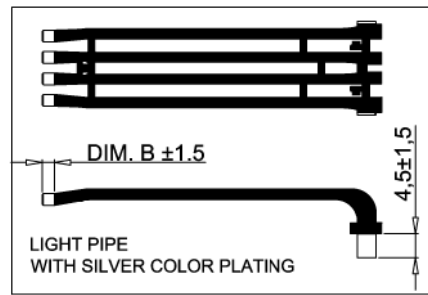
WITH HATSINK, WITH QUAD LIGHT PIPE AND CAP
LIGHT PIPE WITH SILVER COLOR PLATING



P/N: 902GEA2PXAC6XXA0



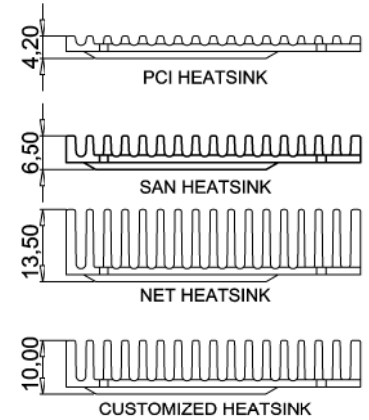
REAR LEGS ARE OPTIONAL:
1 LEG OR NO LEG



OPERATION TEMPERATURE: -20°C TO +85°C

HEATSINK OPTIONALS

OVERALL HEATSINK HEIGHT	DIM "H"	
	WITH MODULE INSERTED	WITHOUT MODULE INSERTED
PCI HS (4.2mm)	13.7 REF	12.8 REF
SAN HS (6.5mm)	16.0 REF	15.1 REF
NET HS (13.5mm)	23.0 REF	22.1 REF
Customized HS (10mm)	19.5 REF	18.6 REF



PART NUMBER SELECTION

NEXTRONICS P/N	HEATSINK	DIM "B"	LIGHT PIPES	DIM "A"	REAR LEGS
902GEA2P8AC673A0	NET(13.5mm)	2.3mm	QUAD	9.7mm	1 LEG
902GEA2P9AC673A0	NET(13.5mm)	2.3mm	QUAD	10.7mm	1 LEG
902GEA2P8AC613A0	NET(13.5mm)	2.3mm	QUAD	9.7mm	0 LEG
902GEA2P9AC613A0	NET(13.5mm)	2.3mm	QUAD	10.7mm	0 LEG
902GEA2P8AC672A0	SAN(6.5mm)	2.3mm	QUAD	9.7mm	1 LEG
902GEA2P9AC672A0	SAN(6.5mm)	2.3mm	QUAD	10.7mm	1 LEG
902GEA2P8AC612A0	SAN(6.5mm)	2.3mm	QUAD	9.7mm	0 LEG
902GEA2P9AC612A0	SAN(6.5mm)	2.3mm	QUAD	10.7mm	0 LEG
902GEA2P8AC671A0	PCI(4.2mm)	2.3mm	QUAD	9.7mm	1 LEG
902GEA2P9AC671A0	PCI(4.2mm)	2.3mm	QUAD	10.7mm	1 LEG
902GEA2P8AC611A0	PCI(4.2mm)	2.3mm	QUAD	9.7mm	0 LEG
902GEA2P9AC611A0	PCI(4.2mm)	2.3mm	QUAD	10.7mm	0 LEG
902GEA2P8AC67FA0	10.0mm HS	2.3mm	QUAD	9.7mm	1 LEG
902GEA2P9AC67FA0	10.0mm HS	2.3mm	QUAD	10.7mm	1 LEG
902GEA2P8AC61FA0	10.0mm HS	2.3mm	QUAD	9.7mm	0 LEG
902GEA2P9AC61FA0	10.0mm HS	2.3mm	QUAD	10.7mm	0 LEG

UNLESS OTHERWISE SPECIFIED TOLERANCE
 3 PLACE ± 0.1
 2 PLACE ± 0.2
 1 PLACE ± 0.3
 ANGULAR: X°± 2°



CHANT SINCERE CO.,LTD
 TEL 886-02-86471251 FAX 886-02-86472962

SCALE: AS SHOWN UNIT: mm

DRAWN: PEARL 05/13/2019

CHECKED:

APPROVED:

DRAWN NAME: QSFP+ 28G CAGE 1X2 Through Bezel 3/7

PRODUCT NO. 902GEA2PXXC6XXA0

FILE NAME: 902GEA2P7XC61XA0(X8)

REV.

DESCRIPTION

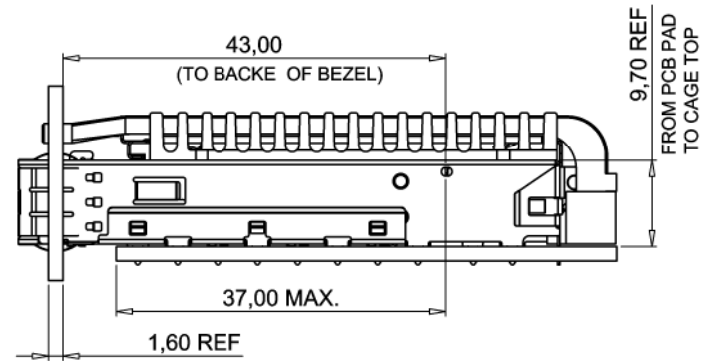
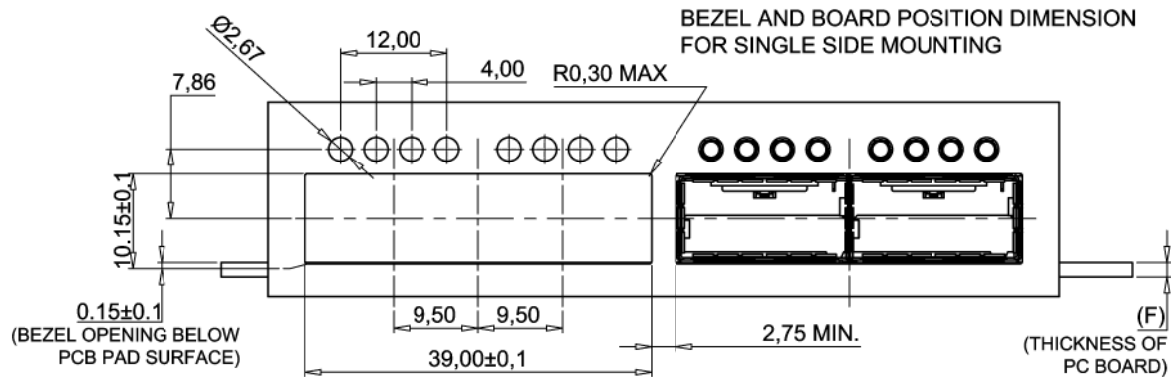
DATE

SIZE

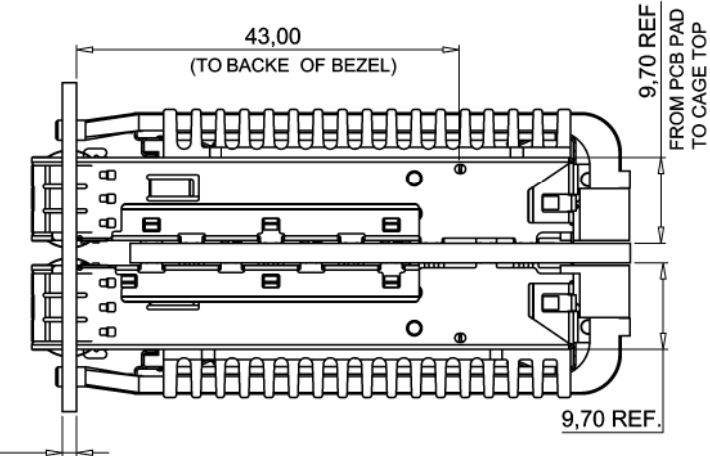
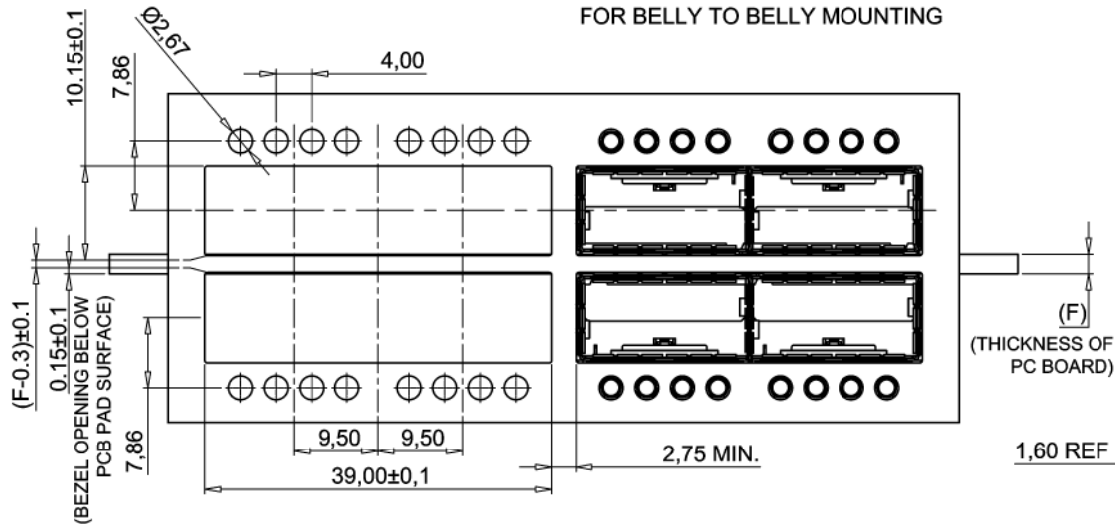
A4

REV.

X3



BEZEL AND BOARD POSITION DIMENSION FOR BELLY TO BELLY MOUNTING



NOTES:

1. THE NORMAL THICKNESS OF CUSTOMER SUPPLIED PC BOARD.(DIM. "F")
SINGLE SIDED PC BOARD THICKNESS: 1.60mm MIN.
BELLY TO BELLY PC BOARD THICKNESS: 3.0mm MIN.
2. GENERAL TOLERANCE: ±0.05.

UNLESS OTHERWISE SPECIFIED TOLERANCE	
3 PLACE	± 0.1
2 PLACE	± 0.2
1 PLACE	± 0.3
ANGULAR:	X°± 2°



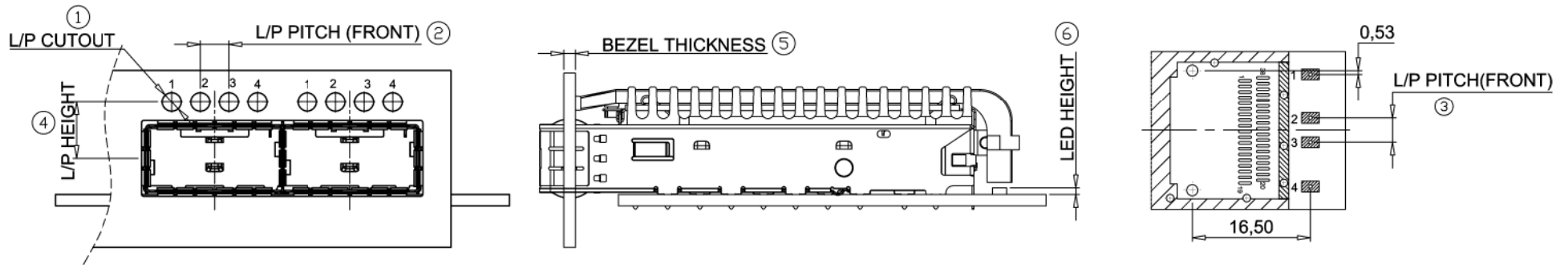
CHANT SINCERE CO.,LTD
TEL 886-02-86471251 FAX 886-02-86472962

SCALE:	AS SHOWN	UNIT:	mm
DRAWN:	PEARL	DATE:	05/13/2019
CHECKED:			
APPROVED:			

DRAWN NAME:	QSFP+ 28G CAGE 1X2 Through Bezel	REV.	4/7
PRODUCT NO.	902GEA2PXXC6XXA0		
FILE NAME:	902GEA2P7XC61XA0(X8)		

REV.	DESCRIPTION	DATE	SIZE	REV.
			A4	X3

		THE DIMENSION FOR MATING BEZEL (UNIT: mm)										
CODE	L/P APPEARANCE	L/P CUT-OUT	L/P PITCH (FRONT)	L/P PITCH (REAR)	L/P HEIGHT	BEZEL THICKNESS	LED HEIGHT	REMARK				
0	NO L/P	/	/	/	/	/	/	WITHOUT LIGHT PIPE				
A	ROUND	Ø2.67	4.00(Equal)	1,4=15.75 2,3=3.40	7.86	1.60	0.8~1.1	APPLIES TO QUAD L/P				
		①	②	③	④	⑤	1 ⑥	2	3	4	5	6



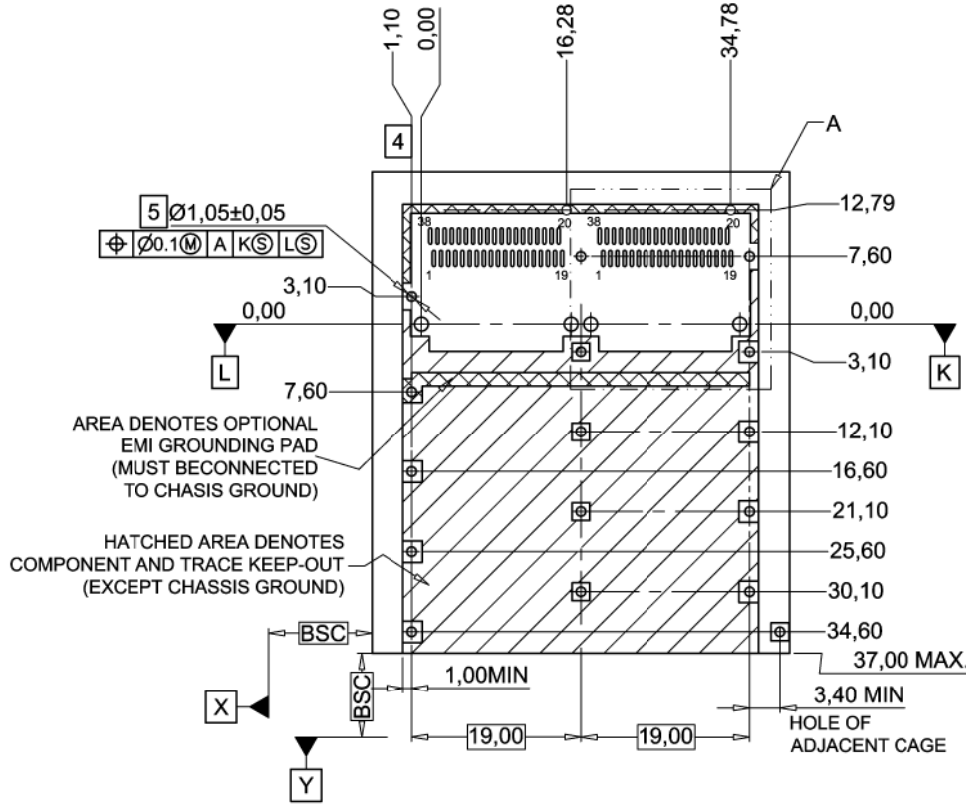
UNLESS OTHERWISE SPECIFIED TOLERANCE	
3 PLACE	± 0.1
2 PLACE	± 0.2
1 PLACE	± 0.3
ANGULAR:	X°± 2°
SCALE:	AS SHOWN
UNIT:	mm
DRAWN:	PEARL
CHECKED:	
APPROVED:	
DATE	05/13/2019
SIZE	A4
REV.	X3



CHANT SINCERE CO.,LTD
TEL:886-02-86471251 FAX:886-02-86472962

DRAWN NAME:	QSFP+ 28G CAGE 1X2 Through Bezel
PRODUCT NO.	902GEA2PXXC6XXA0
FILE NAME:	902GEA2P7XC61XA0(X8)

REV.	DESCRIPTION	DATE



RECOMMENDED SINGLE SIDE PC BOARD LAYOUT

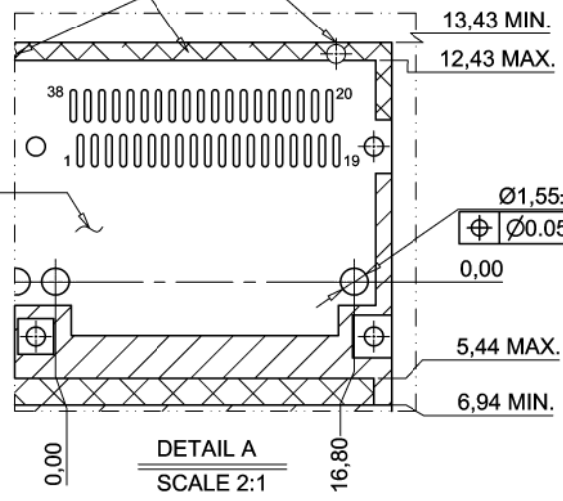
NOTE:

1. DATUM X & Y ARE ESTABLISHED BY THE CUSTOMER'S FIDUCIAL
2. DATUM A IS THE TOP SURFACE OF THE HOST BOARD
3. LOCATION OF THE EDGE OF PCB IS APPLICATION SPECIFIC
4. BASELINE FOR THESE DIMENSIONS IS THE CENTER OF COMPLIANT PIN HOLE.
5. FINISHED HOLE SIZE
6. UNPLATED THRU HOLE.
7. REFER TO SFF8862 FOR CONNECTOR FOOTING DIMENSIONS

CROSS HATCHED AREA DENOTES WHERE SURFACE TRACES ARE PERMITTED

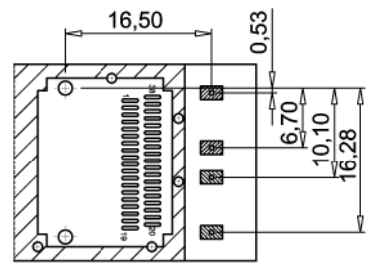
HOLE FOR OPTIONAL REAR LEGS

AREA DENOTES COMPANENT KEEP-OUT (TRACES ALLOWED))



DETAIL A
SCALE 2:1

FOR CAGE ASSEMBLIES WITH LIGHT PIPES



QUAD LIGHT PIPE LED LOCATION

UNLESS OTHERWISE SPECIFIED TOLERANCE	
3 PLACE	± 0.1
2 PLACE	± 0.2
1 PLACE	± 0.3
ANGULAR:	X°± 2°



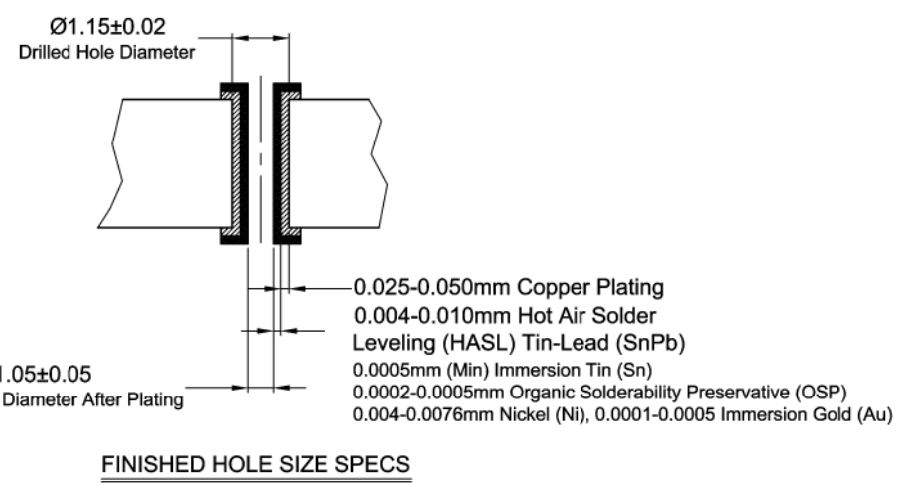
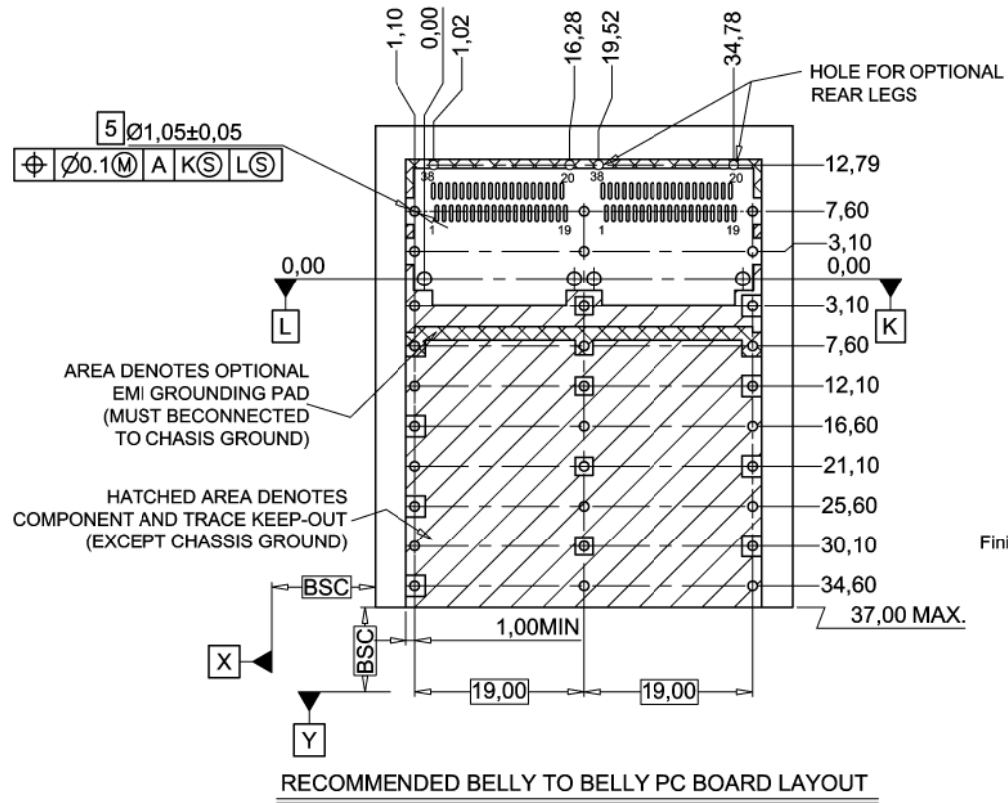
CHANT SINCERE CO.,LTD
TEL 886-02-86471251 FAX 886-02-86472962

SCALE:	AS SHOWN	UNIT:	mm
DRAWN:	PEARL	DATE:	05/13/2019
CHECKED:			
APPROVED:			

DRAWN NAME: QSFP+ 28G CAGE 1X2 Through Bezel
6/7

PRODUCT NO. 902GEA2PXXC6XXA0

REV.	DESCRIPTION	DATE	SIZE	REV.	FILE NAME:
			A4	X3	902GEA2P7XC61XA0(X8)



RECOMMENDED BELLY TO BELLY PC BOARD LAYOUT

UNLESS OTHERWISE SPECIFIED TOLERANCE	
3 PLACE	± 0.1
2 PLACE	± 0.2
1 PLACE	± 0.3
ANGULAR:	X°± 2°
SCALE:	AS SHOWN
UNIT:	mm
DRAWN:	PEARL
CHECKED:	
APPROVED:	
DATE:	
SIZE:	A4
REV.	X3



CHANT SINCERE CO.,LTD
TEL:886-02-86471251 FAX:886-02-86472962

DRAWN NAME:	7/7
PRODUCT NO.	902GEA2PXXC6XXA0
FILE NAME:	902GEA2P7XC61XA0(X8)

REV.	DESCRIPTION	DATE