

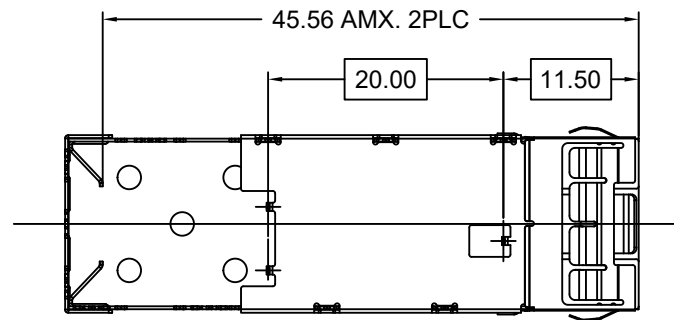
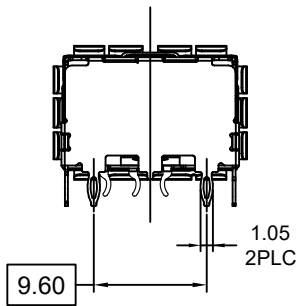
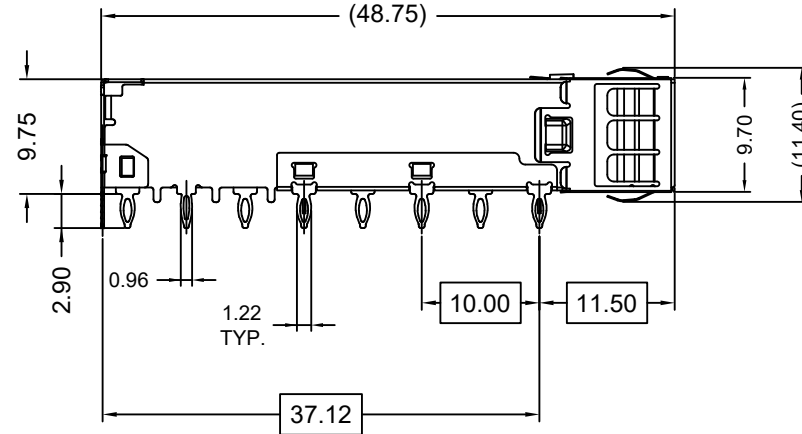
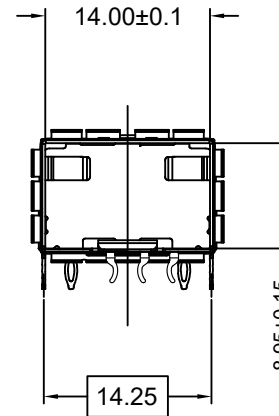
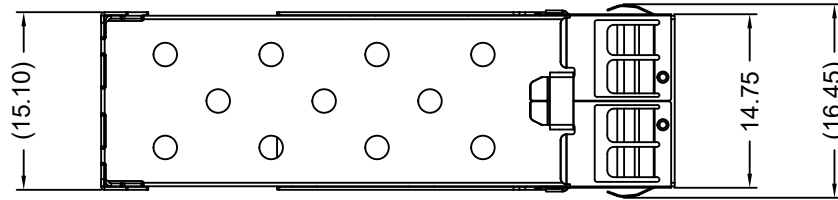
NOTES:


- 1.MATERIAL: SILVER COPPER, THICKNESS 0.25mm
- 2.PACKAGING: TRAY PACKAGING
- 3.TEMPERATURE RANGE: -55°C TO +85°C

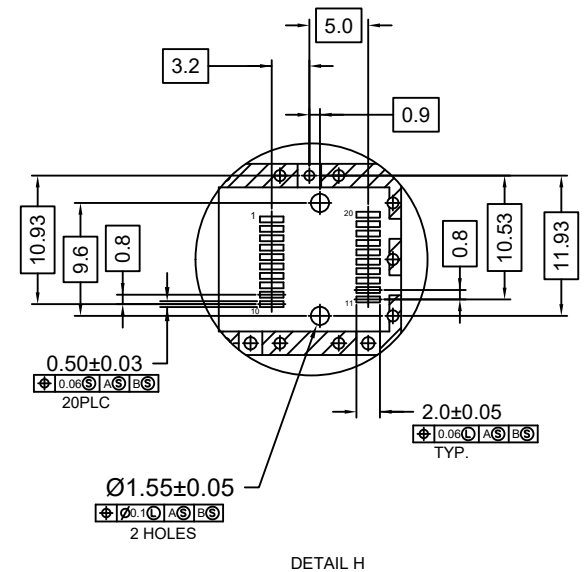
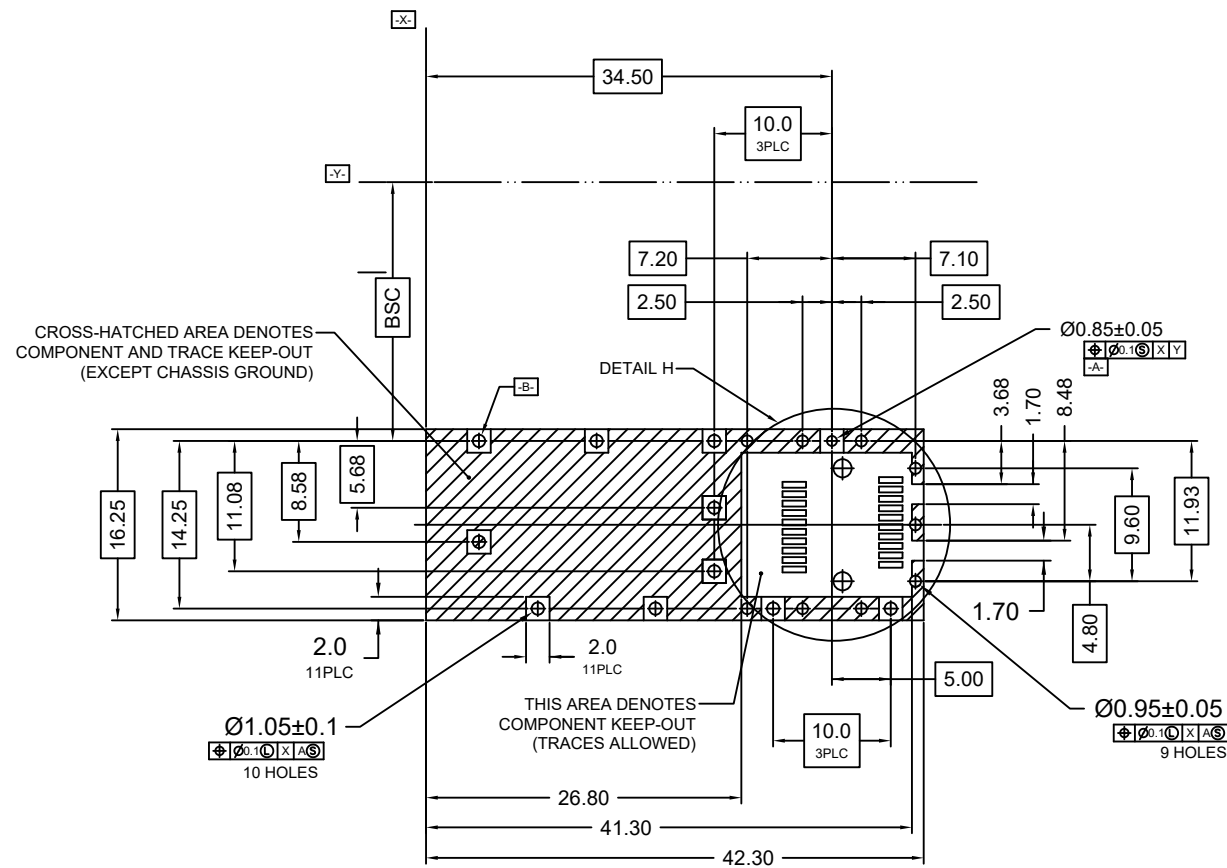
PART NUMBER:

902 G E A1 S F 0 C2 X 0 A 0
 1 2 3 4 5 6 7 8 9 T011T2


- | | |
|---------------------|--------------------------|
| 1.SERIES NO. | 9.SHELL PLATING/TYPE: |
| 2.TYPE: G=PressFit | 0=Non Plating/Spring |
| 3.GREEN OPTION: | N=Ni Plating/Spring |
| E=RoHS | 10.HEAT SINK DEFINITION: |
| 4.PORT NO: | 0=W/O Heatsink |
| A1=1x1 | 11.PACKAGE OPTION: |
| 5.CONTACT TYPE: | A=Tray |
| S=SILVER COPPER | 12.INSULATOR COLOR: |
| 6.LAYOUT TYPE: | 0=Non Function |
| F=F TYPE | |
| 7.LIGHT PIPES TYPE: | |
| 0=W/O Light Pipe | |
| 8.TYPE OPTION: | |
| C2=SFP+ Cage | |



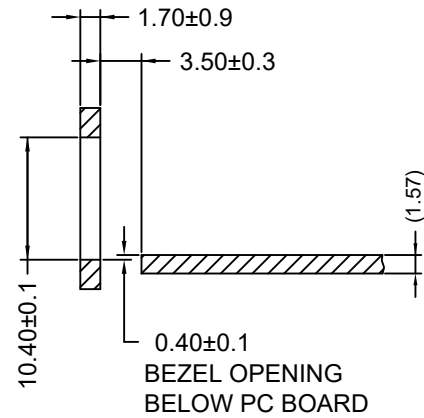
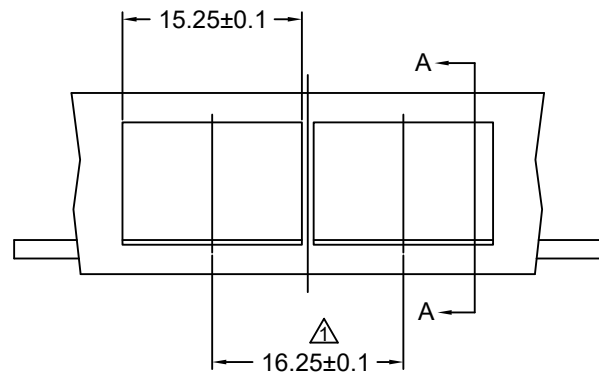
UNLESS OTHERWISE SPECIFIED TOLERANCE		 CHANT SINCERE CO., LTD TEL:886-02-86471251 FAX:886-02-86472962	
.X±0.20	.X±1°		
.XX±0.15	.XX±5°	SCALE: AS SHOWN	UNIT: mm
.XXX±0.10		DRAWN PEARL	10/18/2018
		CHECKED	/ /
		APPROVED	/ /
REV.	DESCRIPTION	DATE	SIZE A4
1			REV. A
2			FILE NAME: 902GEA1SF0C2N0A0(X07)
3			
4			
5			
6			
7			
8			
9			
10			



ECOMMENDED PCB CONFIGURATION


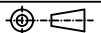
UNLESS OTHERWISE SPECIFIED TOLERANCE .X±0.20 .X±1° .XX±0.15 .XX±5° .XXX±0.10		 CHANT SINCERE CO., LTD TEL:886-02-86471251 FAX:886-02-86472962	
SCALE: AS SHOWN	UNIT: mm		
DRAWN PEARL	10/18/2018	DRAWN NAME: SFP+ 1X1 WITH GROUNDING PIN 2/4	
CHECKED	/ /	PRODUCT NO. 902GEA1SF0C2X0A0	
APPROVED	/ /	FILE NAME: 902GEA1SF0C2N0A0(X07)	

REV.	DESCRIPTION	DATE

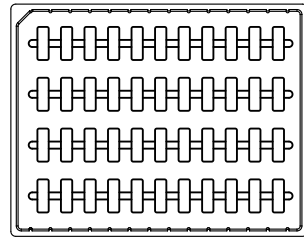


SECTION A-A

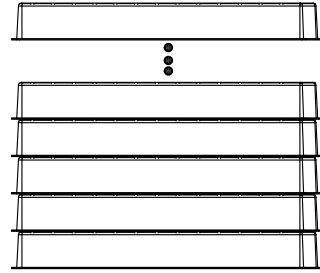
RECOMMENDED BEZEL DESIGN

UNLESS OTHERWISE SPECIFIED TOLERANCE		 CHANT SINCERE CO., LTD TEL:886-02-86471251 FAX:886-02-86472962	
.X±0.20	.X±1°		
.XX±0.15	.XX±5°	SCALE: AS SHOWN	UNIT: mm
.XXX±0.10		DRAWN PEARL	10/18/2018
		CHECKED	/ /
		APPROVED	/ /
REV.	DESCRIPTION	DATE	 SIZE A4 REV. A
			DRAWN NAME: SFP+ 1X1 WITH GROUNDING PIN 3/4 PRODUCT NO. 902GEA1SF0C2X0A0 FILE NAME: 902GEA1SF0C2N0A0(X07)

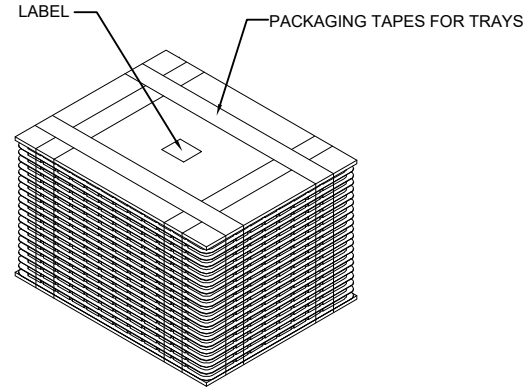
PACKAGE INFORMATION AND LABEL



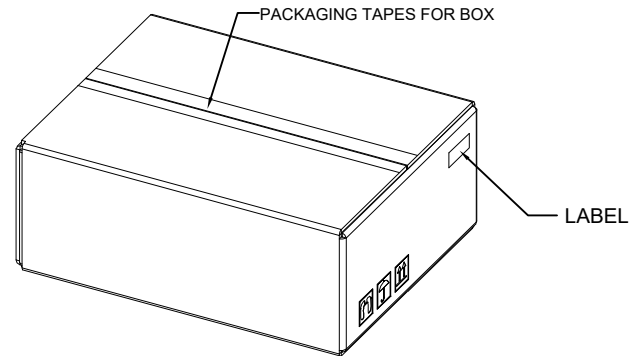
1. PRODUCTS IN TRAYS



2. TRAYS OVERLAY:
(THE NEXT TRAY NEED ROTATE 180 DEGREE AND PUT IT ON PREVIOUS TRAY.)
(相邻两个吸塑间水平方向成180度摆放)




3. LABEL & PACKAGING TAPES FOR TRAYS:



4. LABEL & PACKAGING TAPES FOR BOX

PACKAGING LISTS	
ITEM	Q'TY
PRODUCT	396 PCS
TRAY	9 PCS
BOX(L340*W265*H200MM)	1 PCS
LABLE	2 PCS
PACKAGING TAPES	8 M (ABOUT)

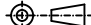
UNLESS OTHERWISE SPECIFIED TOLERANCE		 CHANT SINCERE CO., LTD TEL:886-02-86471251 FAX:886-02-86472962
.X±0.20	.X±1°	
.XX±0.15	.XX±5°	
.XXX±0.10		
SCALE: AS SHOWN	UNIT: mm	
DRAWN PEARL	10/18/2018	
CHECKED	/ /	
APPROVED	/ /	

DRAWN NAME: SFP+ 1X1 WITH GROUNDING PIN 4/4

PRODUCT NO. 902GEA1SF0C2X0A0

FILE NAME: 902GEA1SF0C2N0A0(X07)

REV.	DESCRIPTION	DATE

 SIZE A4	REV. A
---	--------