

SPECIFICATION  
 MATERIAL  
 housing: LCP SV6808THF UL94V-0  
 Insulator: LCP E6808 UL94V-0  
 Contacts: PhosPhor Bronze (C5210-EH)  
 CONTACT PLATING  
 Underplate: 50u"-100u" Nickel  
 Contact area: 30u" Selective gold  
 Solder tails area: 200u"-300u" Tin (Lead Free)  
 ELECTRICAL  
 Operating current: 0.5 A per contact  
 Working voltage: 30 VDC per contact  
 Temperature range: -40°C TO +85°C  
 Mating cycles: 100 insertions

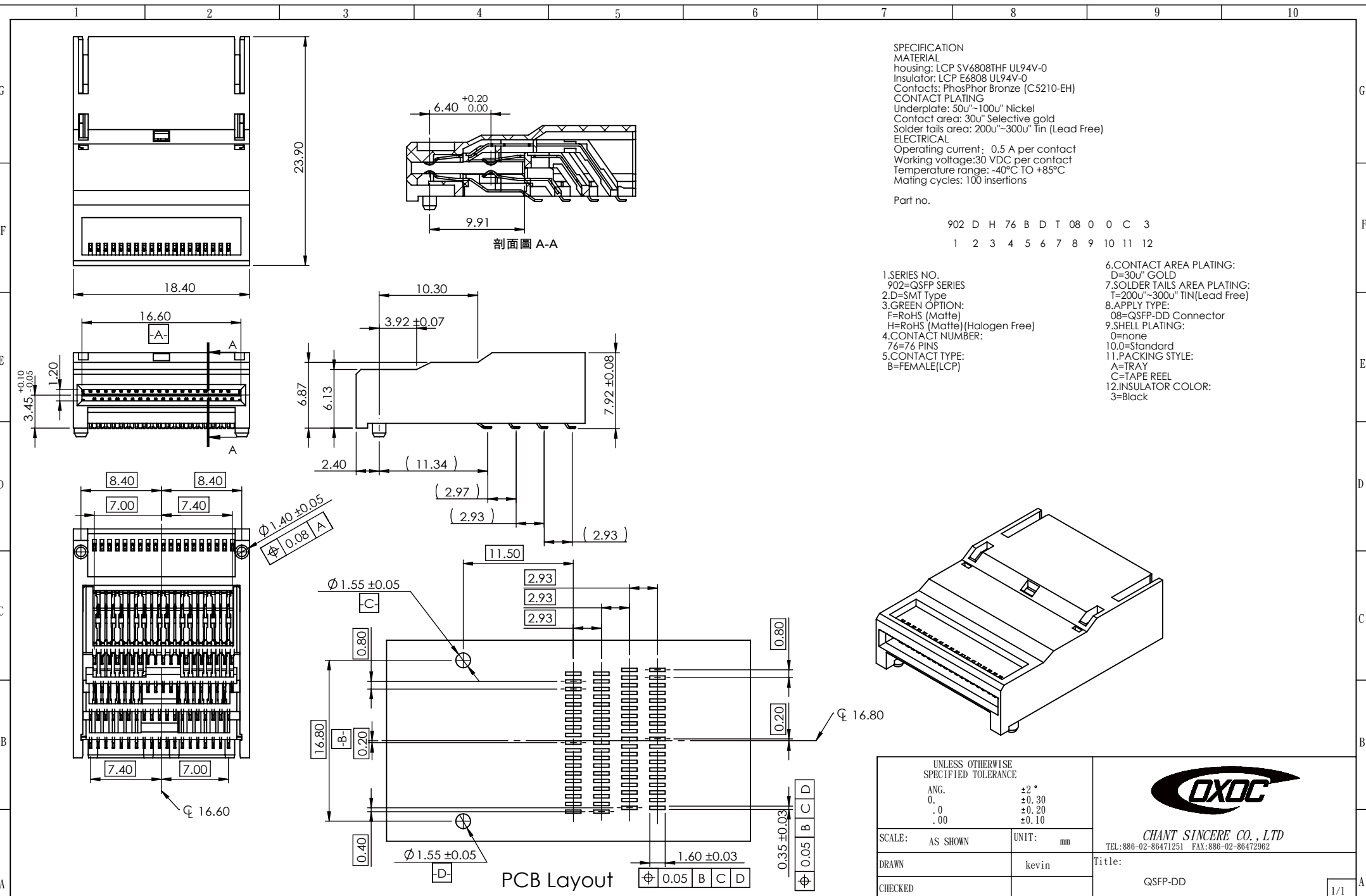
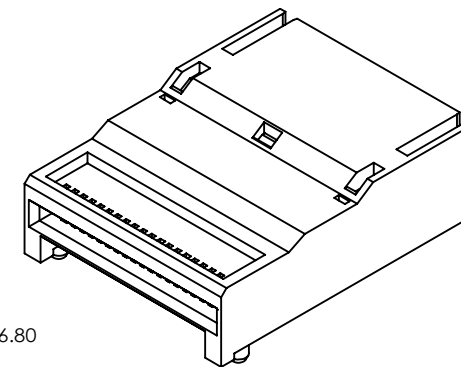
Part no.

902 D H 76 B D T 08 0 0 C 3

1 2 3 4 5 6 7 8 9 10 11 12

- 1.SERIES NO.  
902=QSFP SERIES
- 2.D=SMT Type
- 3.GREEN OPTION:  
F=RoHS (Matte)  
H=RoHS (Matte)(Halogen Free)
- 4.CONTACT NUMBER:  
76=76 PINS
- 5.CONTACT TYPE:  
B=FEMALE(LCP)

- 6.CONTACT AREA PLATING:  
D=30u" GOLD
- 7.SOLDER TAILS AREA PLATING:  
T=200u"-300u" TIN(Lead Free)
- 8.APPLY TYPE:  
08=QSFP-DD Connector
- 9.SHELL PLATING:  
0=none  
10=Standard
- 11.PACKING STYLE:  
A=TRAY  
C=TAPE REEL
- 12.INSULATOR COLOR:  
3=Black



UNLESS OTHERWISE SPECIFIED TOLERANCE		 <b>CHANT SINCERE CO., LTD</b> TEL:886-02-86471251 FAX:886-02-86472962	
ANG.	±2°		
0.	±0.30		
.0	±0.20		
.00	±0.10	SCALE: AS SHOWN	UNIT: mm
DRAWN	kevin	Title: QSFP-DD	
CHECKED		Part No. C- 902DH76BDT0800C3	
APPROVED		Code:	Customer:
SIZE A4		REV. X1	1/1

Zone	Revision	Description	Date
1	2		