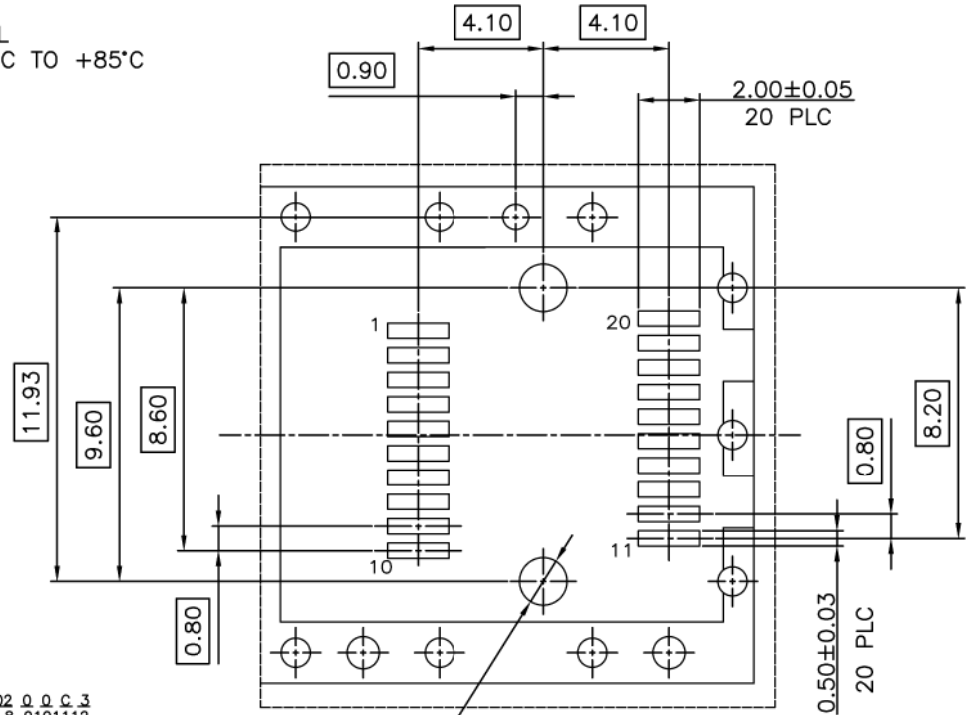
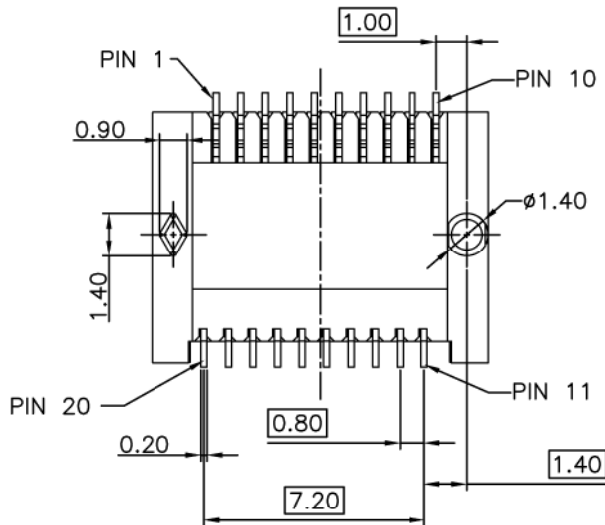
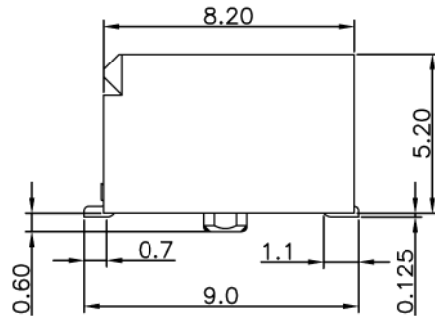
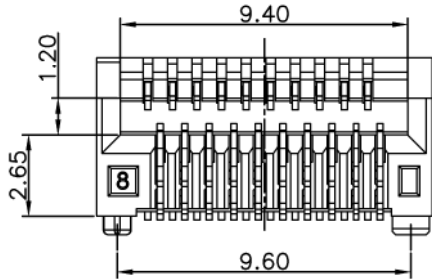


NOTES:  
 1.MATERIAL  
 HOUSING: HIGH TEMPERATURE LCP, UL94 V-0. BLACK.  
 2.CONTACTS: PHOSPHOR BRONZE  
 PLATING :15 $\mu$ Min. GOLD ON MATING AREA,  
 100 $\mu$ Min. MATTE TIN PLATING ON  
 SOLDER TAILS, 50 $\mu$ Min. NICKEL  
 UNDERPLATING OVERALL.

3.PACKAGING: TAPE AND REEL  
 4.TEMPERATURE RANGE: -55°C TO +85°C



Part no. 902 D H 20 B C T 02 0 0 C 3  
 1 2 3 4 5 6 7 8 9 10 11 12

- 1.SERIES NO.
- 2.TYPE: D=SMT
- 3.GREEN OPTION:  
H=RoHS+HF(Matte Plated)
- 4.CONTACT NUMBER:  
20
- 5.CONTACT TYPE:  
B=Female
- 6.CONTACT PLATING:  
C=15u" Gold
- 7.SOLDER TAILS AREA PLATING:  
T=Tin plated
- 8.TYPE OPTION:  
02=SFP+ Conn.
- 9.SHELL PLATING/TYPE:  
0=Non Function
- 10.PROCESS OPTION:  
0=Non Function
- 11.PACKAGE OPTION:  
C=Tape & Reel
- 12.INSULATOR COLOR:  
3=Black

$\phi 1.55 \pm 0.05$   
2PLC

RECOMMENDED PCB CONFIGURATION  
 SCALE 2:1

UNLESS OTHERWISE  
 SPECIFIED TOLERANCE  
 .X±0.20 .X±1\*  
 .XX±0.15 .XX±5\*  
 .XXX±0.10

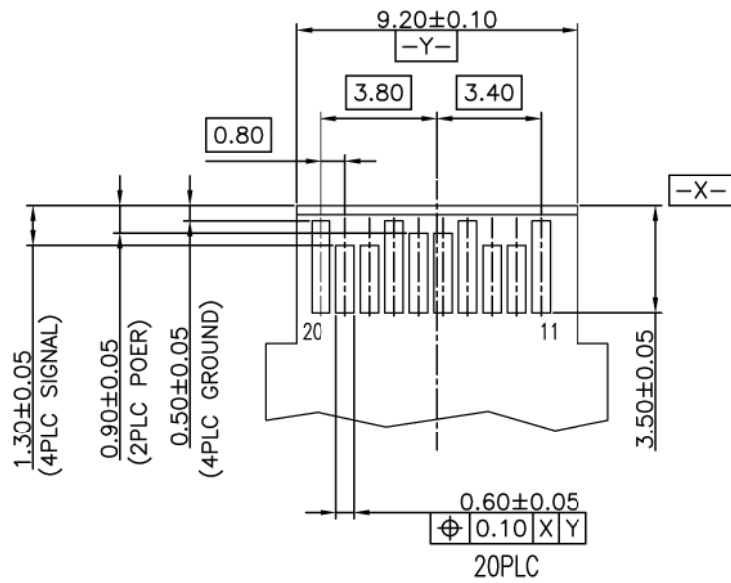


CHANT SINCERE CO.,LTD  
 TEL:886-02-86471251 FAX:886-02-86472962

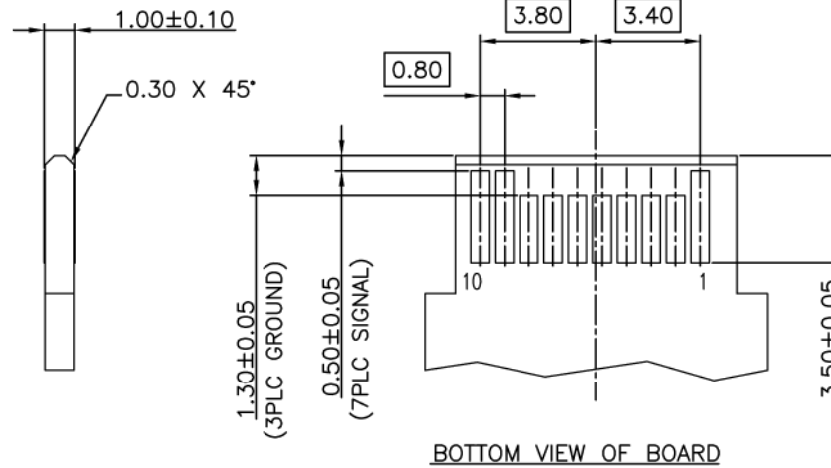
|          |          |           |            |
|----------|----------|-----------|------------|
| SCALE:   | AS SHOWN | UNIT:     | mm         |
| DRAWN:   | PEARL    | DATE:     | 07/09/2019 |
| CHECKED: |          | APPROVED: |            |
| REV.     |          | SIZE      | A4         |

|             |                       |
|-------------|-----------------------|
| DRAWN NAME: | SFP+ 1X1 CONNECTOR    |
| PRODUCT NO. | 902DH20BCT0200C3      |
| FILE NAME:  | 902DH20BCT0200C3(X07) |

| REV. | DESCRIPTION | DATE | SIZE | REV. |
|------|-------------|------|------|------|
|------|-------------|------|------|------|



TOP VIEW OF BOARD



BOTTOM VIEW OF BOARD

RECOMMENDED LAYOUT DETAIL MATING TRANSCEIVER PCB

UNLESS OTHERWISE SPECIFIED TOLERANCE  
 .X±0.20 .X±1°  
 .XX±0.15 .XX±5°  
 .XXX±0.10



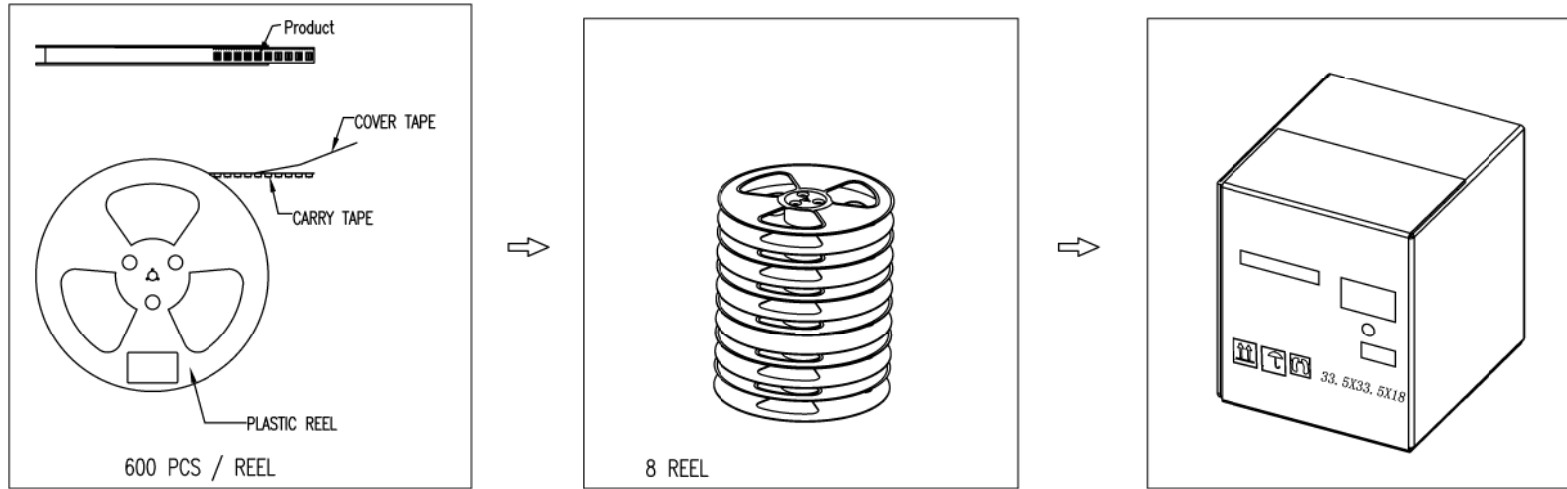
CHANT SINCERE CO.,LTD  
 TEL:886-02-86471251 FAX:886-02-86472962

|           |          |       |            |
|-----------|----------|-------|------------|
| SCALE:    | AS SHOWN | UNIT: | mm         |
| DRAWN:    | PEARL    | DATE: | 07/09/2019 |
| CHECKED:  |          |       |            |
| APPROVED: |          |       |            |
| REV.      |          | SIZE  | A4         |
|           |          | REV.  | X1         |

|             |                       |     |
|-------------|-----------------------|-----|
| DRAWN NAME: | SFP+ 1X1 CONNECTOR    | 2/3 |
| PRODUCT NO. | 902DH20BCT0200C3      |     |
| FILE NAME:  | 902DH20BCT0200C3(X07) |     |


| REV. | DESCRIPTION | DATE |
|------|-------------|------|
|      |             |      |

PACKAGE INFORMATION AND LABEL



PACKING QUANTITY : 600 PCS FINISHED GOODS PER REEL.

8 REEL (4800 PCS FINISHED GOODS) PER CARTON BOX.

|  |            |  |                       |
|--|------------|--|-----------------------|
| UNLESS OTHERWISE SPECIFIED TOLERANCE<br>X±0.20 X±1°<br>XX±0.15 XX±5°<br>XXX±0.10 |            | <br><b>CHANT SINCERE CO.,LTD</b><br>TEL:886-02-86471251 FAX:886-02-86472962 |                       |
| SCALE: AS SHOWN  | UNIT: mm   |  |                       |
| DRAWN: PEARL   | 07/09/2019 | DRAWN NAME: SFP+ 1X1 CONNECTOR   |                       |
| CHECKED:   |            | 3/3  |                       |
| APPROVED:  |            | PRODUCT NO.  | 902DH20BCT0200C3      |
| REV.   |            | FILE NAME:   | 902DH20BCT0200C3(X07) |

| REV. | DESCRIPTION | DATE | SIZE | A4 | REV. | X1 |
|------|-------------|------|------|----|------|----|
|------|-------------|------|------|----|------|----|