

NOTES:
 1.MATERIAL: NICKEL SILVER, THICKNESS 0.25mm
 2.PACKAGING: TRAY PACKAGING
 3.TEMPERATURE RANGE: -55°C TO +85°C

PART NUMBER:

902 A E A1 S 0 0 C2 N 0 A 0
 1 2 3 4 5 6 7 8 9 10 11 12

- | | |
|---|---|
| 1.SERIES NO. | 8.TYPE OPTION:
C2=SFP+ Cage |
| 2.TYPE: A=Solder | 9.SHELL PLATING:
N=Ni Plating/Spring |
| 3.GREEN OPTION:
E=RoHS | 10.PROCESS OPTION:
0=Standard |
| 4.PORT NO:
A1=1x1 | 11.PACKAGE OPTION:
A=Tray |
| 5.CONTACT TYPE:
S=Non Distribution | 12.INSULATOR COLOR:
0=Non Function |
| 6.LIGHT PIPE OPTION:
0=W/O Light Pipe | |
| 7.LIGHT PIPE DIM. OPTION:
0=W/O Light Pipe | |

UNLESS OTHERWISE SPECIFIED TOLERANCE	
X ±0.20	X ±1°
XX ±0.15	XX ±5°
XXX ±0.10	
SCALE: AS SHOWN	UNIT: mm
DRAWN: PEARL	07/09/2019
CHECKED:	
APPROVED:	



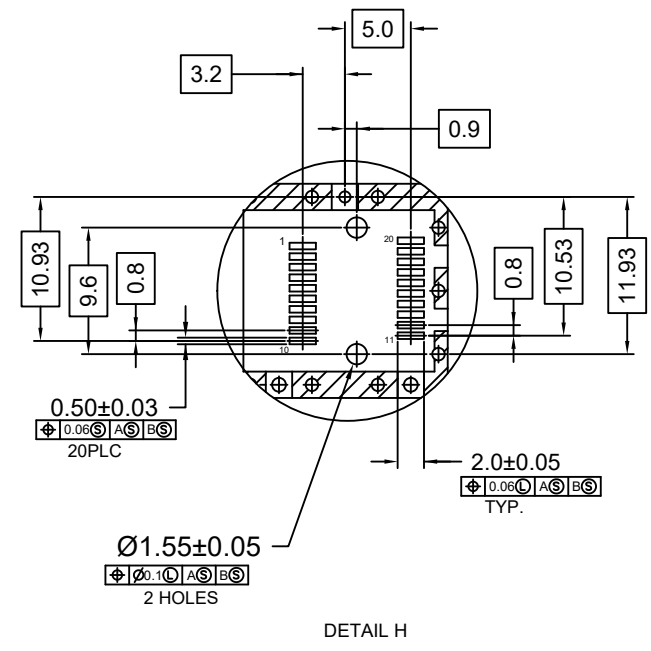
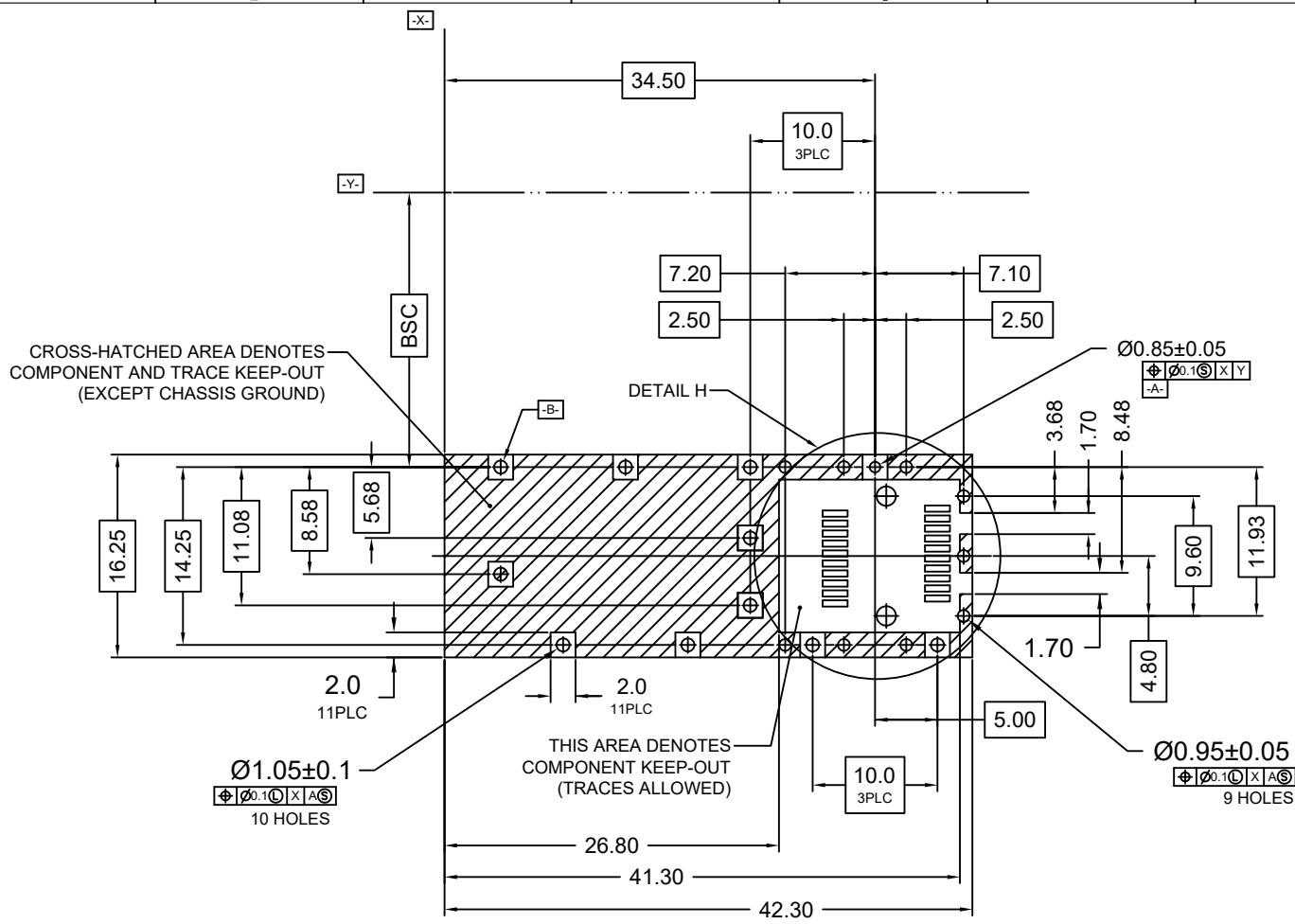
CHANT SINCERE CO.,LTD
 TEL:886-02-86471251 FAX:886-02-86472962

DRAWN NAME:
SFP+ 1X1 CAGE WITH GROUNDING PIN 1/3

PRODUCT NO. 902AEA1S00C2NOAO

FILE NAME: 902AEA1S00C2NOAO(X07)

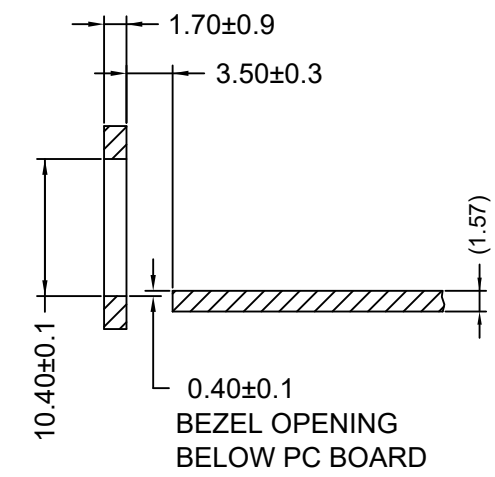
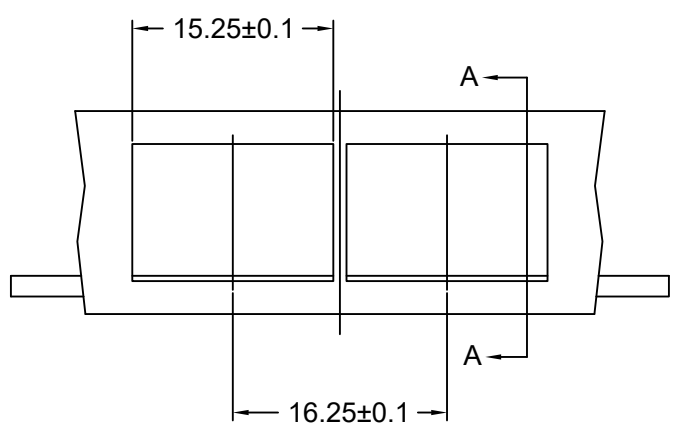
REV.	DESCRIPTION	DATE



ECOMMENDED PCB CONFIGURATION

UNLESS OTHERWISE SPECIFIED TOLERANCE		 CHANT SINCERE CO.,LTD TEL:886-02-86471251 FAX:886-02-86472962	
X ±0.20	X ±1°		
XX ±0.15	XX ±5°	SCALE: AS SHOWN	UNIT: mm
XXX ±0.10		DRAWN: PEARL	07/09/2019
		CHECKED:	
		APPROVED:	
		PRODUCT NO.	902AEA1S00C2N0A0
		FILE NAME:	902AEA1S00C2N0A0(X07)


REV.	DESCRIPTION	DATE	SIZE A4	REV. X1
1				
2				
3				
4				
5				
6				
7				
8				
9				
10				



BEZEL OPENING
BELOW PC BOARD

SECTION A-A

RECOMMENDED BEZEL DESIGN

UNLESS OTHERWISE SPECIFIED TOLERANCE		 CHANT SINCERE CO.,LTD TEL:886-02-86471251 FAX:886-02-86472962
X ±0.20	X ±1°	
.XX ±0.15	.XX ±5°	SCALE: AS SHOWN UNIT: mm
.XXX ±0.10		DRAWN: PEARL 07/09/2019
		CHECKED:
		APPROVED:
		PRODUCT NO. 902AEA1S00C2NOAO
		FILE NAME: 902AEA1S00C2NOAO(X07)

REV.	DESCRIPTION	DATE
1		
2		
3		
4		
5		
6		
7		
8		
9		
10		