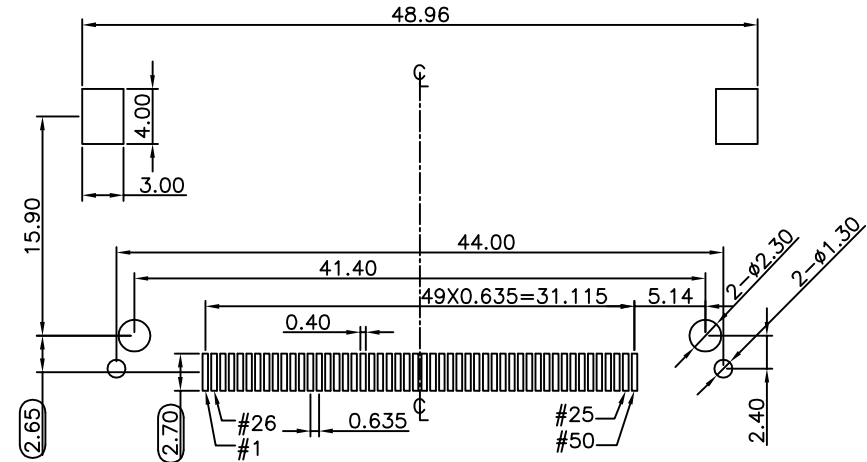
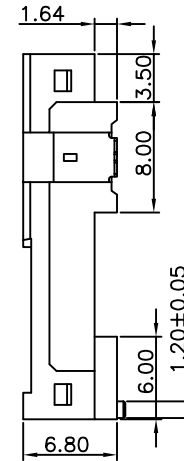
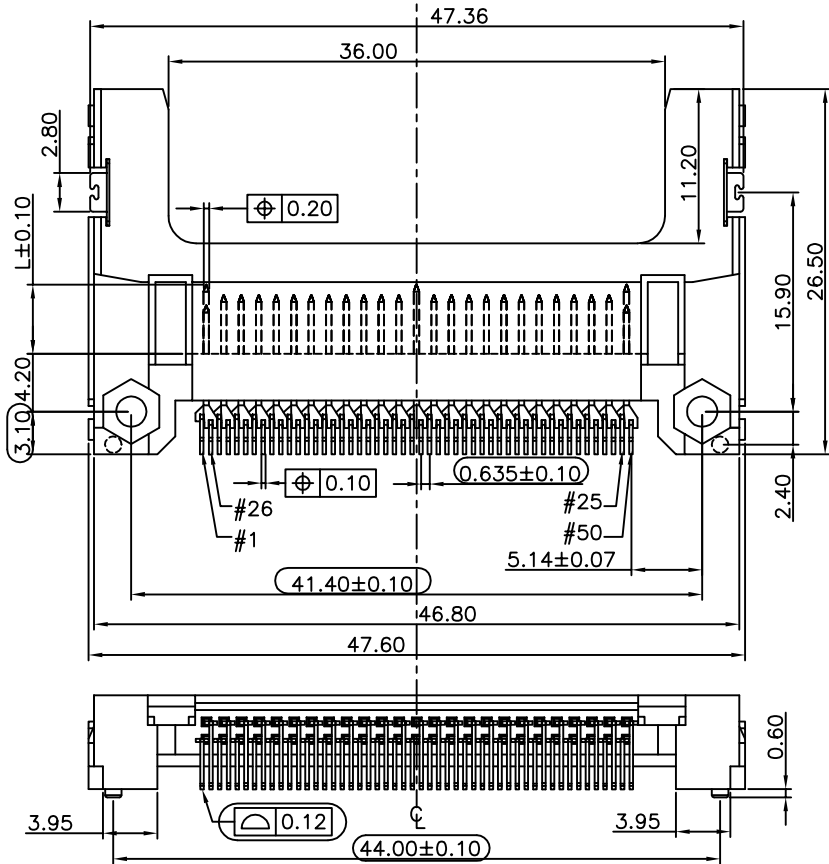


POWER	5.00mm	1,13,38,50
GENERAL	4.25mm	all other pins
DETECT	3.50mm	25,26
Pin type	Interface	Pin No.
	Dim. L	

NOTES  
 MATERIAL  
 Insulator: Thermal Plastic UL94V-0  
 Contacts: Copper Alloy  
 Mount ear: Copper Alloy;  
 CONTACT PLATING  
 Underplated: 50u"~100u" Nickel  
 Contact area: 1u"~30u" Selective gold  
 Solder tails area: 100u"~200u" Tin/Lead Free(Brighten Tin/Matte Tin)  
 Part no.

752 D X 50 N X 0 1 X 0 1  
 1 2 3 4 5 6 7 8 9 10 11

- |                                    |                              |
|------------------------------------|------------------------------|
| 1.SERIES NO: 752=C.F.A.            | 6.CONTACT PLATING            |
| 2.TYPE: D=SMT TYPE                 | C=15u" Gold (Selective)      |
| 3.ENCIRONMENT PROTECTION MATERIAL. | 7.STAND OFF DISTANCE         |
| F=RoHS(Matte Tin)                  | 0=1.64 mm                    |
| 4.CONTACT NUMBER: 50               | 8.CARD KEY ORIENTATION STYLE |
| 5.CONTACT TYPE                     | 1=REVERSE                    |
| N=TYPE1                            | 9.LOCK OPTION                |
|                                    | 0=WITHOUT                    |
|                                    | 10.FILL IT WITH "0"          |
|                                    | 11.INSULATOR COLOR           |
|                                    | 1=WHITE                      |



RECOMMENDED P.C.B LAYOUT  
 TOLERANCES: ±0.05mm

UNLESS OTHERWISE SPECIFIED TOLERANCE	
ANG.	±5°
0.	±0.5
.0	±0.3
.00	±0.2

**OXOC**  
**CHANT SINCERE CO., LTD**  
 TEL:886-02-86471251 FAX:886-02-86472962

SCALE: AS SHOWN	UNIT: mm
DRAWN: CHERRY	DATE: 08/27/07
CHECKED: / /	
APPROVED: / /	

DRAWN NAME:  
 CFA TYPE 1 (STAND OFF 1.64mm)  
 SLOT HEADER(REVERSE)  
 PRODUCT NO. 752DX50NX01X01

REV.	DESCRIPTION	DATE	SIZE A4	REV. B	FILE NAME: 752DK50NX01X01(GA)
------	-------------	------	---------	--------	-------------------------------