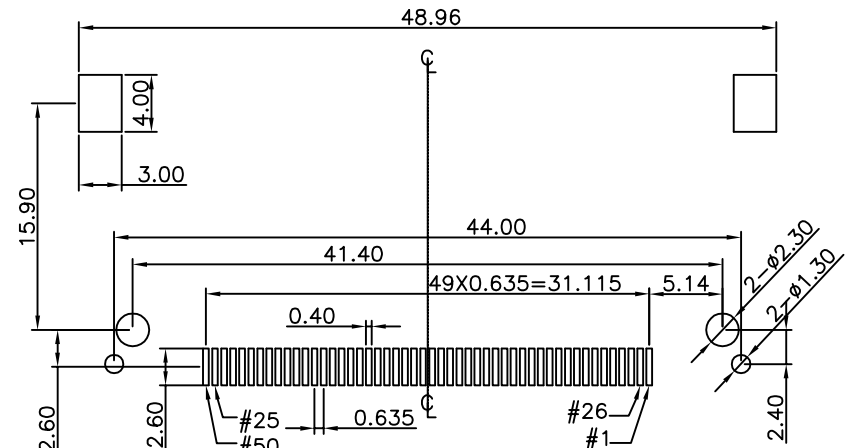
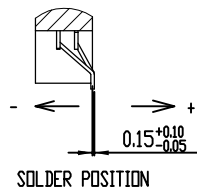
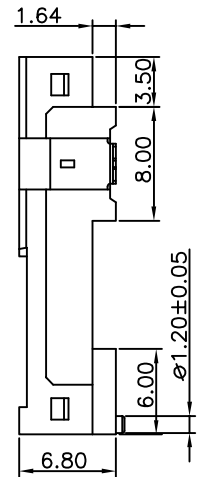
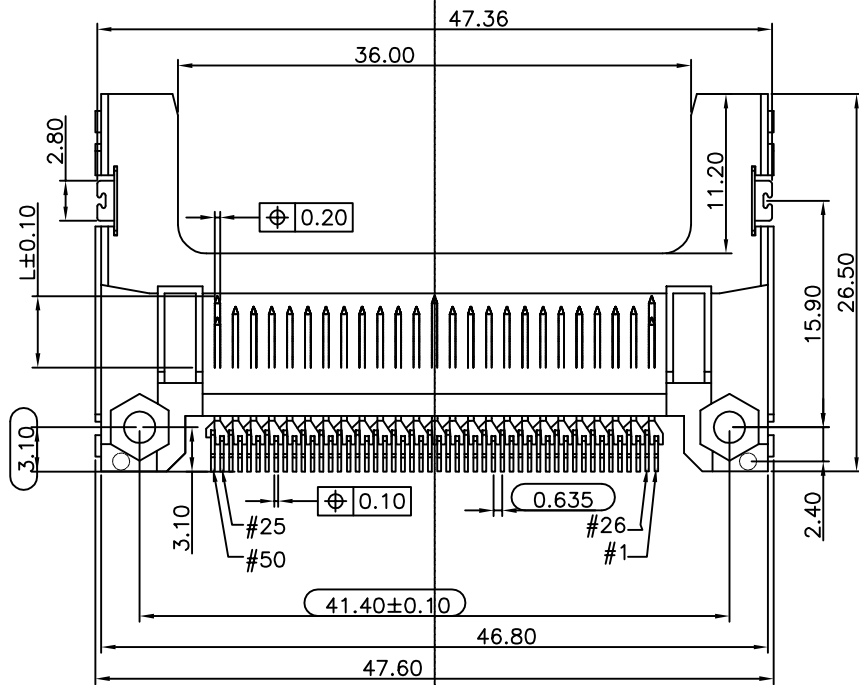


POWER	5.00mm	1,13,38,50
GENERAL	4.25mm	all other pins
DETECT	3.50mm	25,26
Pin type	Interface	Pin No.
	Dim. L	

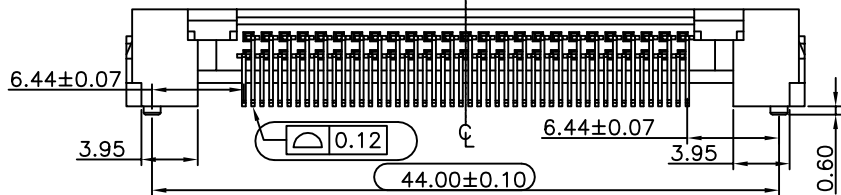
SPECIFICATION
MATERIAL
 Insulator: Thermal Plastic UL94V-0
 Contacts: Copper Alloy
 Shell: Steel
 Rivet,Boardlock: Copper Alloy
CONTACT PLATING
 Underplated: 50u"~100u" Nickel
 Contact area: 1u"~30u" Selective Gold
 Solder tails area: 100u"~200u" Tin/Lead Free(Brighten Tin/Matte Tin)
 Rated Voltage: 35V/AC Max.
PART NO.

752 D X 50 N X 0 0 X 0 X
 1 2 3 4 5 6 7 8 9 10 11

- | | |
|--|--|
| 1.SERIES NO
752=C.F.A. | 6.CONTACT PLATING
C=15u" Gold (Selective) |
| 2.TYPE
D=SMT Type | 7.STAND OFF DISTANCE
0=1.64 mm |
| 3.ENVIRONMENT PROTECTION
MATERIAL:
F=RoHS(Matte Tin) | 8.CARD KEY ORIENTATION STYLE
0=Standard |
| 4.CONTACT NUMBER
50 | 9.LOCK OPTION
0=Without |
| 5.CONTACT TYPE
N=(TYPE 1)Preform | 10.FILL IT WITH "0" |
| | 11.INSULATOR COLOR:
1=White |



RECOMMENDED P.C.B LAYOUT
 TOLERANCES: ±0.05mm



UNLESS OTHERWISE SPECIFIED TOLERANCE	
ANG.	±5°
0.	±0.5
.0	±0.3
.00	±0.2

SCALE: AS SHOWN	UNIT: mm
DRAWN PEARL	10/26/2017
CHECKED / /	
APPROVED / /	



CHANT SINCERE CO.,LTD
 TEL:886-02-86471251 FAX:886-02-86472962

DRAWN NAME:
 CFA TYPE 1 (STAND OFF 1.64mm)
 SLOT HEADER(STANDARD)

PRODUCT NO. 752DX50NX00X0X

FILE NAME: 752DK50NX00X01(GA)

REV.	DESCRIPTION	DATE	SIZE A4	REV. D
1				
2				
3				
4				
5				
6				
7				
8				
9				
10				