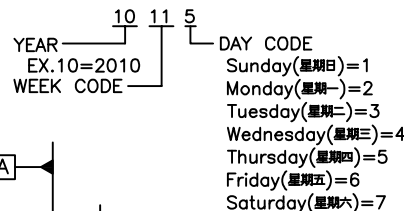


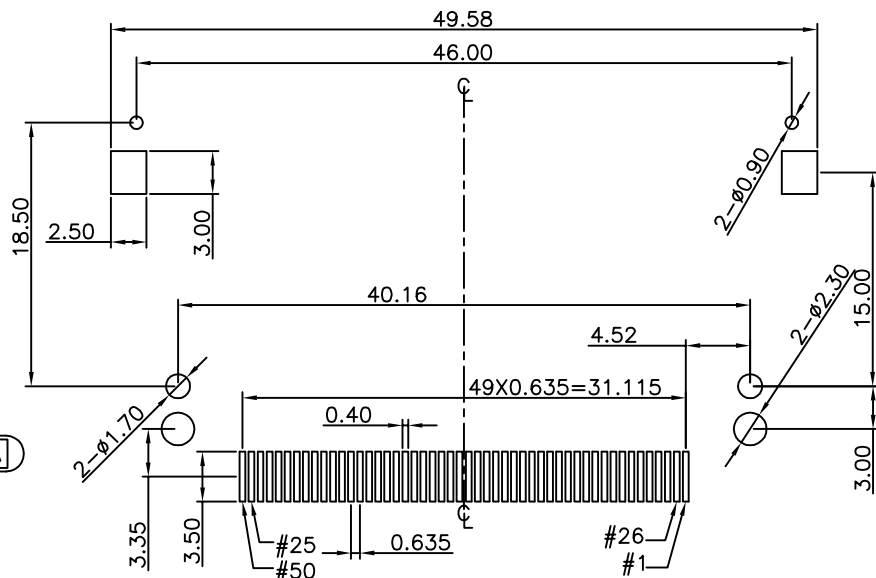
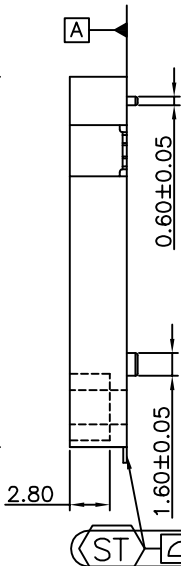
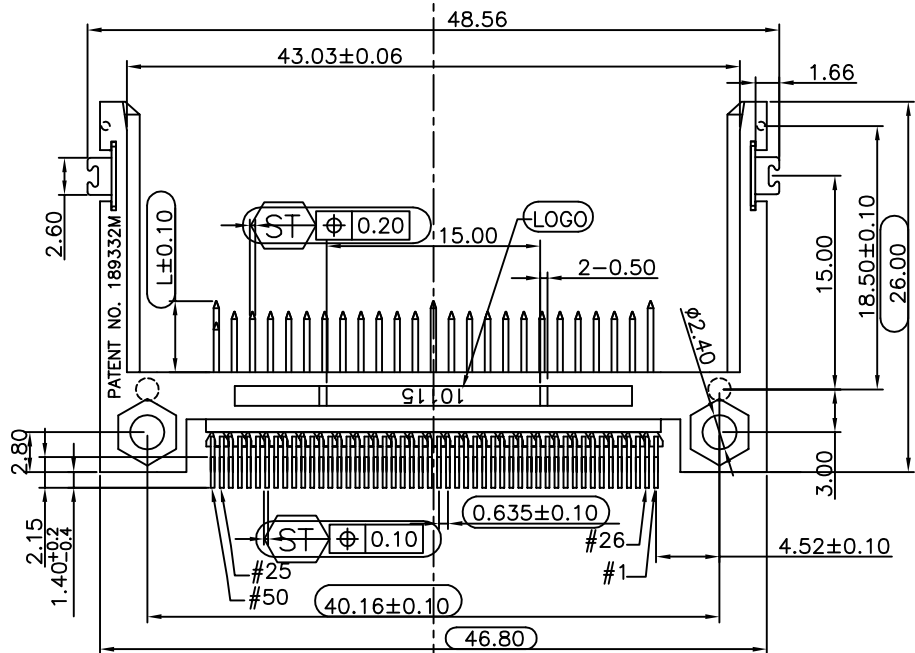
LOGO.



NOTES
 MATERIAL
 Insulator: Thermal Plastic UL94V-0
 Contacts: Copper Alloy
 Mount Ear: Copper Alloy
 CONTACT PLATING
 Underplate: 50u"~100u" Nickel
 Contact Area: 1u"~30u" Selective Gold
 Solder Tails Area: 100u"~200u" Tin/Lead Free
 PART NO.

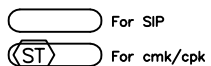
752 D07 X 50 X C 1 0 0 1
 1 2 3 4 5 6 7 8 9 10

- 1.SERIES NO. 752=C.F.A
- 2.TYPE D07=Slim Type
- 3.GREEN OPTION F=RoHS (Matte Tin)
- 4.CONTACT NUMBER. 50
- 5.CONTACT PLATING. S=Gold Flash (Selective)
- 6.CARD KEY ORIENTATION STYLE: C=Standard(POS. Distance=40.16)
- 7.STAND OFF DISTANCE. 1=0 mm
- 8.LOCK OPTION: 0=W/O NUT
- 9.Z SHAPE TYPE: 0=Without Tap
- 10.INSULATOR COLOR. 1=White



RECOMMENDED P.C.B. LAYOUT
 TOLERANCES: ±0.05mm

POWER	5.00mm	1,13,38,50
GENERAL	4.25mm	all other pins
DETECT	3.50mm	25,26
Pin type	Interface Dim. L	Pin No.



UNLESS OTHERWISE SPECIFIED TOLERANCE	
ANG.	±5°
0.	±0.5
.0	±0.3
.00	±0.2

SCALE:	AS SHOWN	UNIT:	mm
DRAWN	PEARL	DATE:	06/24/10
CHECKED	/ /		
APPROVED	/ /		



CHANT SINCERE CO., LTD
 TEL:886-02-86471251 FAX:886-02-86472962

DRAWN NAME:
 CFA TYPE 1,2 (POS. DIST.=40.16)
 SLIM TYPE SLOT HEADER(STANDARD)
 PRODUCT NO. 752D07X50XC100X

FILE NAME: 752D07K50XC100X(GA)

REV.	DESCRIPTION	DATE	REV.	DESCRIPTION	DATE
------	-------------	------	------	-------------	------

SIZE	A4	REV.	N
------	----	------	---