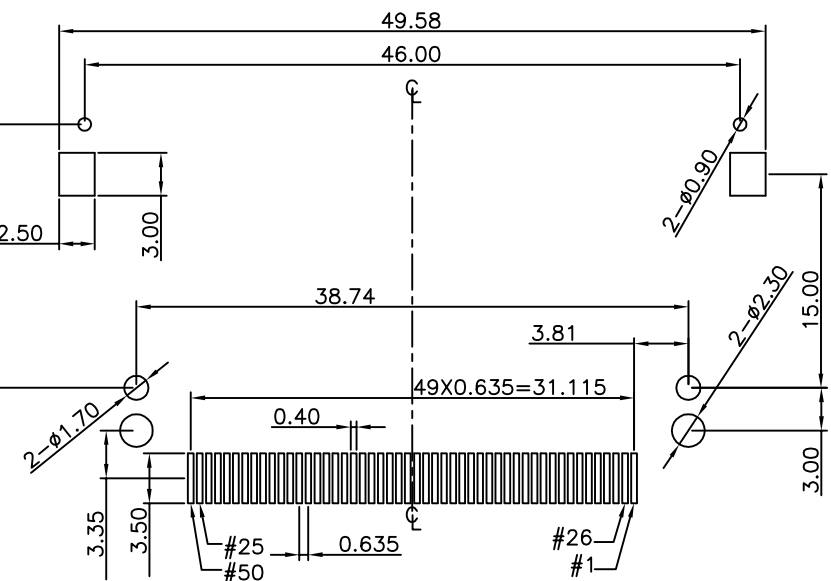
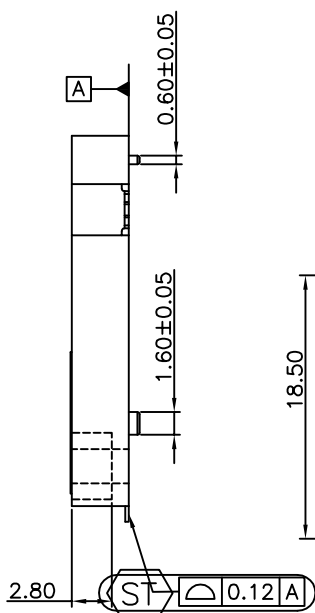
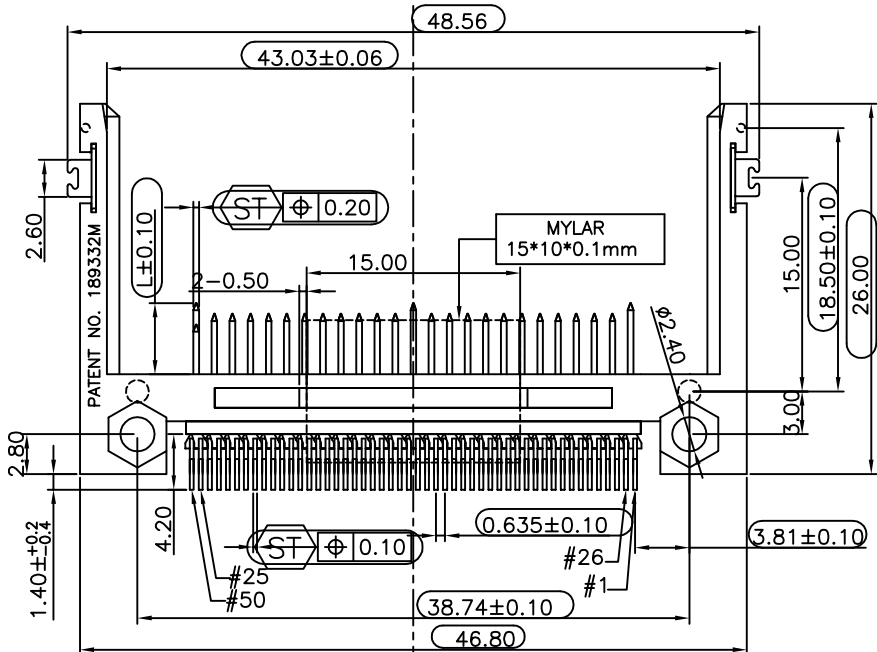


NOTES
 MATERIAL
 Insulator: Thermal Plastic UL94V-0
 Contacts: Copper Alloy
 Mount Ear: Copper Alloy
 CONTACT PLATING
 Underplate: 50u"~100u" Nickel
 Contact Area: 1u"~30u" Selective Gold
 Solder Tail Area: 100u"~200u" Tin/Lead (Brighten Tin) or
 100u"~200u" Tin/Lead Free (Brighten Tin/Matten Tin)

PART NO.
 752 D07 X 50 X A 1 X 0 X
 2 3 4 5 6 7 8 9 10

- | | |
|--|--|
| 1.SERIES NO.
752=C.F.A | 6.CARD KEY ORIENTATION STYLE:
A=Standard
(Pos. Distance=38.74) |
| 2.TYPE
D07=SLIM TYPE | 7.STAND OFF DISTANCE.
1=0 mm |
| 3.ENVIRONMENT PROTECTION MATERIAL.
F=RoHS (Matte Tin) | 8.LOCK OPTION:
0=Without Nuts |
| 4.CONTACT NUMBER. 50 | 9.Z SHAPE TYPE:
0=Without Tap |
| 5.CONTACT PLATING.
S=Gold Flash (Selective) | 10.INSULATOR COLOR.
1=White |



RECOMMENDED P.C.B. LAYOUT
 TOLERANCES: ±0.05mm

POWER	5.00mm	1,13,38,50
GENERAL	4.25mm	all other pins
DETECT	3.50mm	25,26
Pin type	Interface Dim. L	Pin No.

For SIP
 For cmk/cpk

UNLESS OTHERWISE SPECIFIED TOLERANCE	
ANG.	±5°
0.	±0.5
.0	±0.3
.00	±0.2



CHANT SINCERE CO., LTD
 TEL:886-02-86471251 FAX:886-02-86472962

SCALE: AS SHOWN	UNIT: mm
DRAWN Vicky	05/22/15
CHECKED / /	
APPROVED / /	

DRAWN NAME:
 CFA TYPE 1,2 (POS. DIST.=38.74)
 SLIM TYPE SLOT HEADER (STANDARD)
 PRODUCT NO. 752D07X50XA1X0X

REV.	DESCRIPTION	DATE	SIZE A4	REV. Q	FILE NAME: 752D07K50XA1X0X(GA)
------	-------------	------	---------	--------	--------------------------------