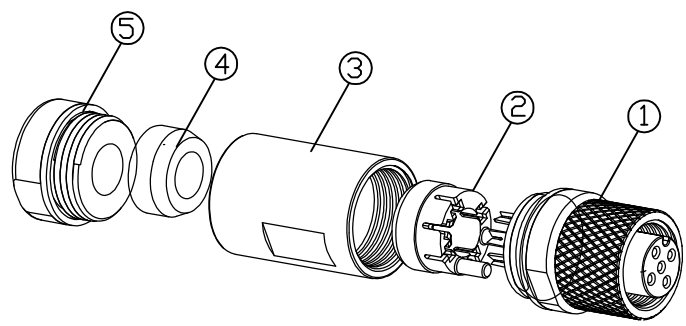
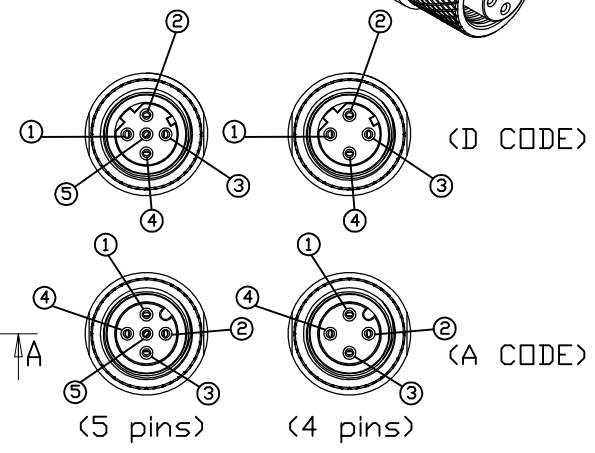
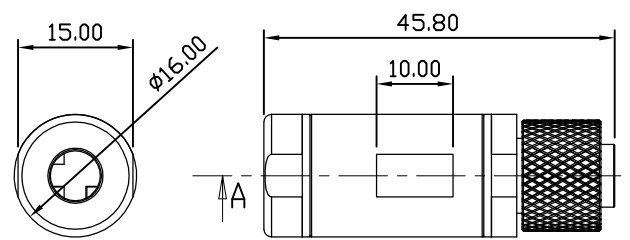
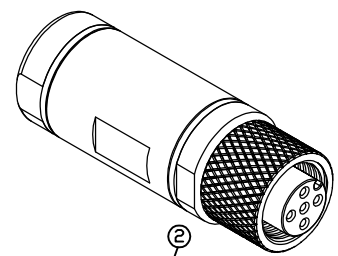


剖面圖 A-A

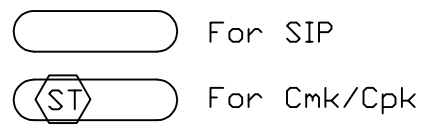


**SPECIFICATION**  
**MATERIAL**  
 Insulator: PA66, rated UL94V-0  
 Contacts: Copper Alloy  
 Contacts type: IDC type  
 metal parts : steel with Ni plating  
 Contacts plating  
 Underplate: 50u"~100u" Nickel  
 Contact area: 1u"~15u" gold  
 Solder tails area: 100u"~200u" Ni  
**General Data**  
 standard/Regulation: M12 connector IEC 61076-2-101  
 coding: A-standard  
 Number of position: 4,5  
 AWG Signal line: 22  
 Current rating: 4 Amps max.  
 Insulation resistance: 100 Mohms min @ 500 VDC  
 Degree of protection: IP 67  
 Temperature range: -20°C TO +85°C  
 Mating cycles: 100 insertions

649 I E X X F X N D I N X A 3  
 1 2 3 4 5 6 7 8 9 10 11 12

- |   |  |
|---|--|
| 1.SERIES NO:<br>649=M12 circular conn. Series | 6.CONTACT AREA PLATING:<br>S=1u" GOLD            |
| 2.I=IDC Type                                  | 7.SOLDER TAILS AREA PLATING:<br>N=100u"~200u" Ni |
| 3.GREEN OPTION:<br>E=RoHS (Bright)            | 8.APPLY TYPE:<br>D1=CABLE END                    |
| 4.CONTACT NUMBER:<br>04=4 PINS<br>05=5 PINS   | 9.SHELL PLATING:<br>N=100u"~200u" Ni PLATED      |
| 5.CONTACT TYPE:<br>F=FEMALE                   | 10.CODING:<br>A=A CODE<br>D=D CODE               |
|   | 11.PACKING STYLE:<br>A=TRAY                      |
|   | 12.INSULATOR COLOR:<br>3=Black                   |

5	S649IE00P00P1AA3	M12 Rear nut	PA66	1	
4	M1649AERCPD1303A	ø9.0mm cable seal ring	NBR	1	
3	M4649AE40ND1E01A	M12 M/F Clamping ring	steel with Ni plating	1	
2	M1649AEW2PD1303A	M12-4,5 Pin holder	PA66	1	
1	S649IF04FSND1AA3 S649IF05FSND1AA3	M12-4,5pin Female body IDC type(5pin 公頭主體)	PA66,Copper alloy	1	
No.	P/N	Parts Name	Material	Q'ty	Remark



UNLESS OTHERWISE SPECIFIED TOLERANCE		
ANG.	± 5°	
0.	± 0.5	<b>CHANT SINCERE CO.,LTD</b> TEL:886-02-86471251 FAX:886-02-86472962
.0	± 0.3	
.00	± 0.2	
SCALE: AS SHOWN	UNIT: mm	
DRAWN: Shian	12/15/2017	DRAWN NAME: M12-5PIN Female connector IDC type
CHECKED:		PRODUCT NO. 649IEXXFXND1NXA3
APPROVED:		FILE NAME: 649IEXXFXND1NXA3
REV.	DESCRIPTION	DATE

REV.	DESCRIPTION	DATE
1	2	3
4	5	6
7	8	9
10		