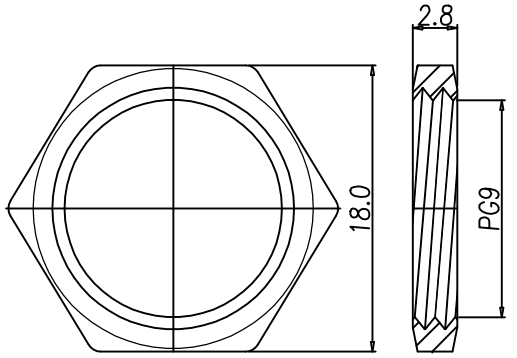
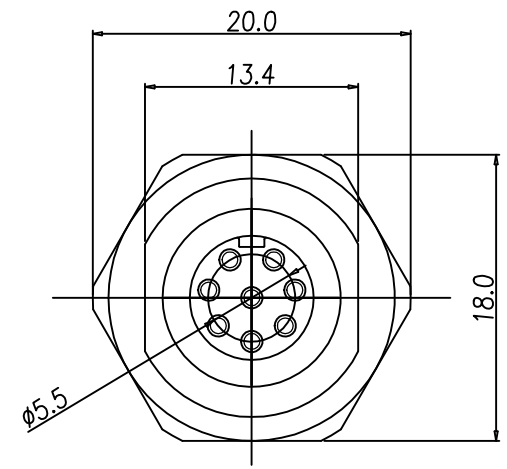
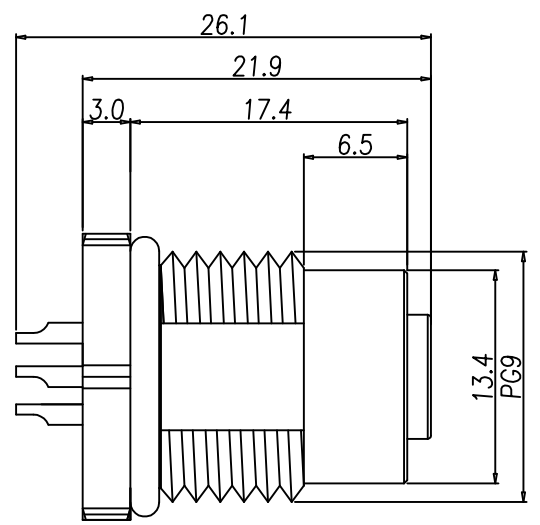


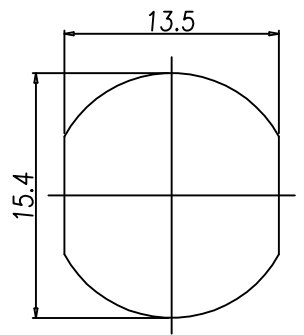
1. MATERIAL :
- 1-1. HOUSING : PBT UL94V-0 ; COLOR : BLACK
  - 1-2. CONTACT : BRASS
  - 1-3. NUT : BRASS
  - 1-4. SHELL : BRASS
  - 1-5. O-RING : EPDM
2. FINISH :
- 2-1. CONTACT : 10 MICRO INCHES MIN. GOLD PLATED UNDER PLATE : NICKEL
  - 2-2. NUT : NICKEL PLATED
  - 2-3. SHELL : NICKEL PLATED
3. ELECTRICAL SPECIFICATION :
- 3-1. Rated current : 5A
  - 3-2. Rated Voltage :125V
  - 3-3. Water proof: IPX7
4. Environmental :
- 4-1. Operation Temperature : -40℃~85℃

Part no. 649 A E 08 F B B D4 N A X 3  
 1 2 3 4 5 6 7 8 9 10 11 12

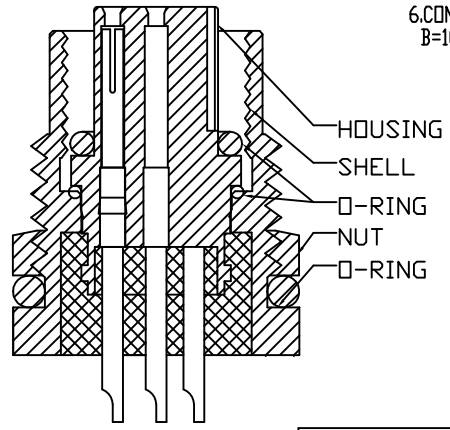
- 1.SERIES NO.  
 649=Water Proof CONN.  
 2.A=Standard Type  
 3.GREEN OPTION:  
 E=RoHS (Bright Plated)  
 4.CONTACT NUMBER:  
 08=8 PINS  
 5.CONTACT TYPE:  
 F=FEMALE  
 6.CONTACT AREA PLATING:  
 B=10u' GOLD
- 7.SOLDER TAILS AREA PLATING:  
 B=10u' GOLD  
 8.APPLY TYPE:  
 D4=Panel Mount PG9  
 9.SHELL PLATING:  
 N=Nickel  
 10.TYPE:  
 A=A-Code  
 11.PACKING STYLE:  
 A=TRAY  
 D=BAG  
 12.INSULATOR COLOR:  
 3=Black



NUT



RECOMMEND PANEL CUT-OUT



UNLESS OTHERWISE SPECIFIED TOLERANCE

ANGULAR ±1°  
 .x ±0.20  
 .xx ±0.10  
 .xxx ±0.05



CHANT SINCERE CO.,LTD  
 TEL:886-02-86471251 FAX:886-02-86472962

SCALE: AS SHOWN UNIT: mm  
 DRAWN PEARL 06/28/2017  
 CHECKED  
 APPROVED

DRAWN NAME:  
 M12 Panel Mount Female Conn.

PRODUCT NO. 649AE08FBBD4NAX3

REV.	DESCRIPTION	DATE	SIZE	A4	REV.	FILE NAME
1					X1	649AE08FBBD4NAX3(Z06)