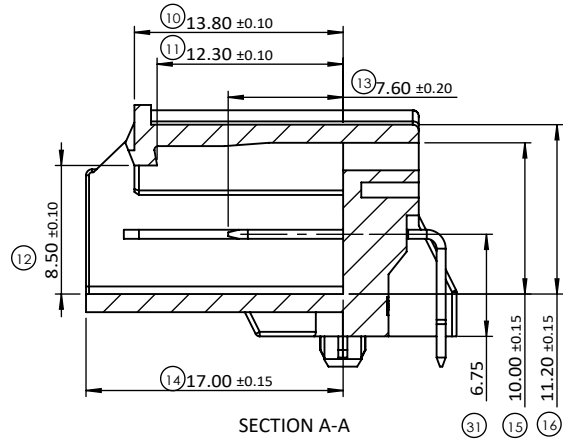
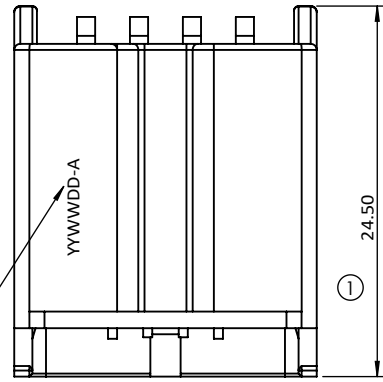


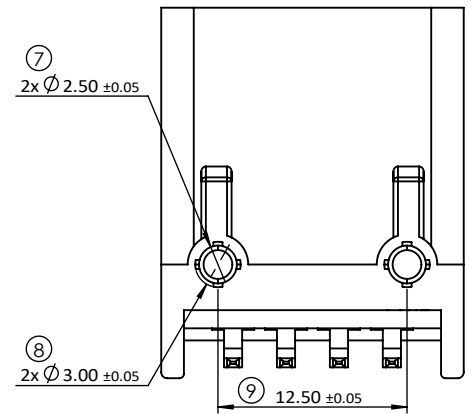
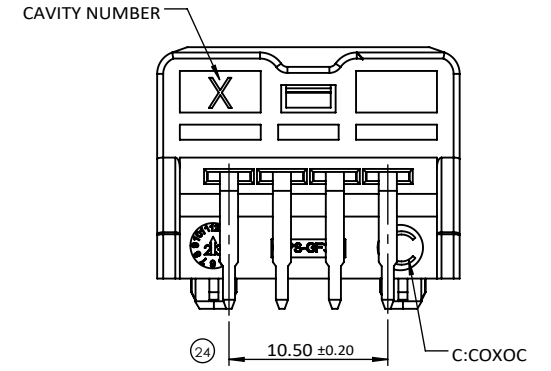
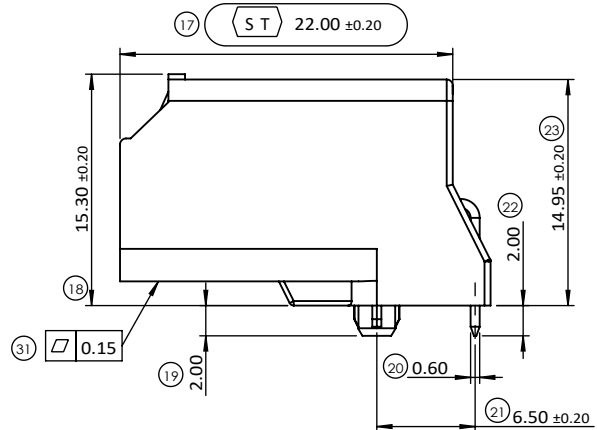
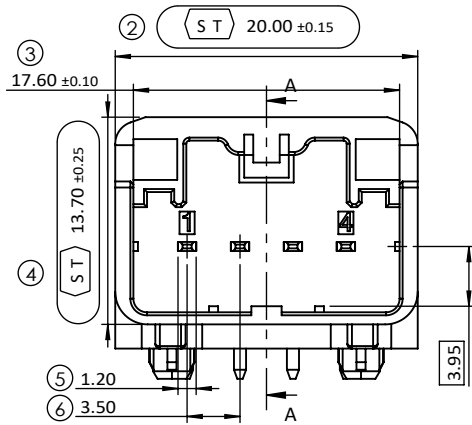
**RoHS**  
compliant



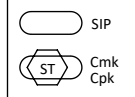
LASER MARKING:  
YY: YEAR (19: 2019)  
WW: WEEK (25: THE 25TH WEEK)  
DD: (D1~D7: SUNDAY~SATURDAY)  
A: MECHANICAL NUMBER



- SPECIFICATION  
MATERIAL AND FINISH:
1. CODING HOUSING: SPS GF 30% UL94-V0 ; COLOR BLACK
  2. CONTACT: COPPER ALLOY
  3. PLATING: 1~3μm Sn(MATTE) OVER 1~2.2μm Ni
  4. THE CAVITY , LOGO MAX HEIGHT 0.20mm ABOVE SURFACE
  5. IF ANY DIMENSIONS OR DRAFT ANGLES WEREN'T MARKED.
  6. REFLOW SOLDER CAPABLE TO 260°C/10s



UNLESS OTHERWISE SPECIFIED TOLERANCE	
ANG.	+5°
0.	+0.50
.0	+0.30
.00	+0.15



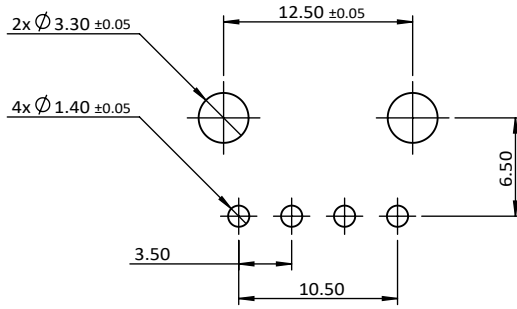
SCALE: 2:1	UNIT: mm
DRAWN: ANDY_GAU	21 Jun 2025
CHECKED: RITA_CHANG	01 Jul 2025
APPROVED: MARK_YEN	01 Jul 2025

TITLE: PDR-23063	
LEO 4PIN CONN.	
PART NO.	5450301001A
CODE: GB	CUSTOMER:

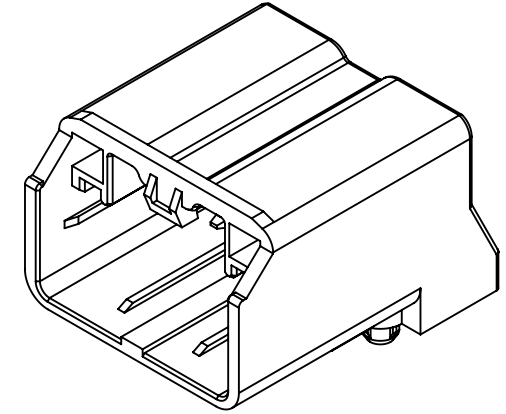
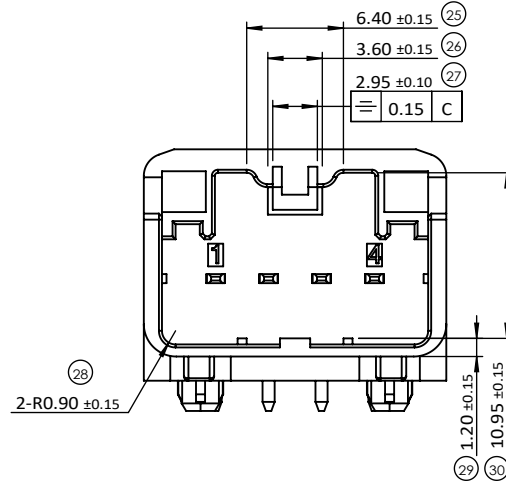
ZONE	REVISION	DESCRIPTION	DATE
1	A	ECN-2509020(ANDY)X10 CHANGE TO A	03SEP2025

1	2	3	4	5	6	7	8	9	10
---	---	---	---	---	---	---	---	---	----

RoHS  
compliant



PCB TOP VIEW  
RECOMMEND PCB LAYOUT  
PCB THICKNESS:1.6±0.15



UNLESS OTHERWISE SPECIFIED TOLERANCE		SIP Crnk Cpk		 <b>CHANT SINCERE CO.,LTD</b>	
ANG.	+5°	SCALE:	2:1		
0.	+0.50	DRAWN:	ANDY_GAU	21 Jun 2025	TITLE: PDR-23063
.0	+0.30	CHECKED:	RITA_CHANG	01 Jul 2025	LEO 4PIN CONN.
.00	+0.15	APPROVED:	MARK_YEN	01 Jul 2025	PART NO. 5450301001A
		SIZE	A4	SHEET	2/2
REV. A		CODE:	GB	CUSTOMER:	

A		ECN-2509020(ANDY)X10 CHANGE TO A		03SEP2025	
ZONE	REVISION	DESCRIPTION		DATE	
1	2	3	4	5	6