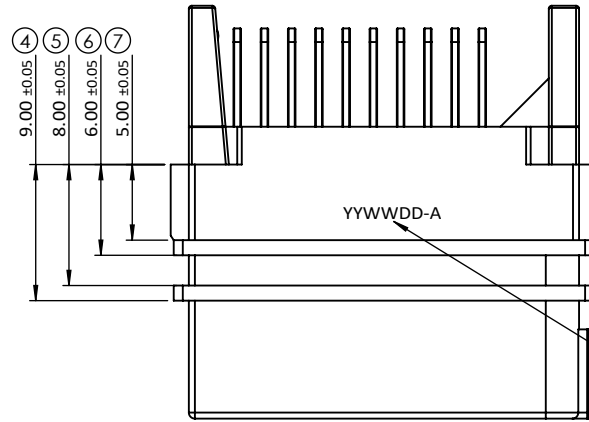
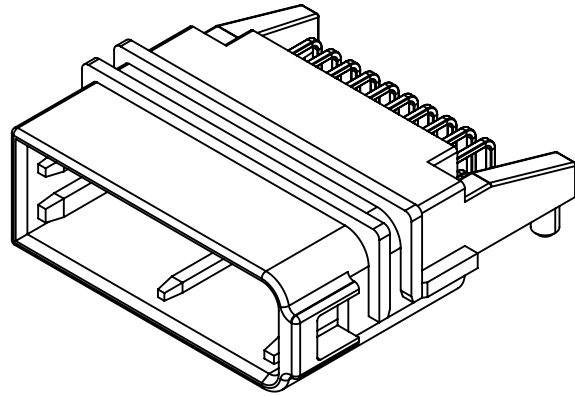


RoHS
compliant



SPECIFICATION

MATERIAL AND FINISH:

1. CODING HOUSING: LCP E130i GF30% UL94-V0 ; COLOR BLACK
2. CONTACT: COPPER ALLOY
PLATING: 3~6μm Sn(MATTE) OVER 1~3μm Ni

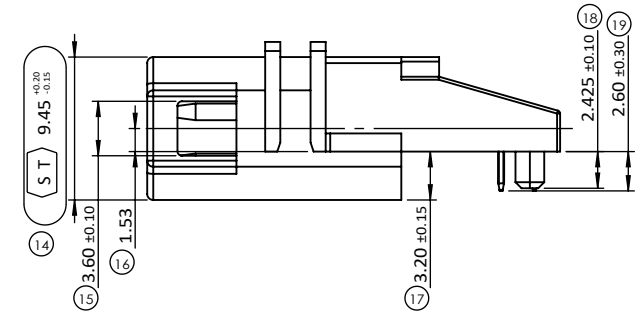
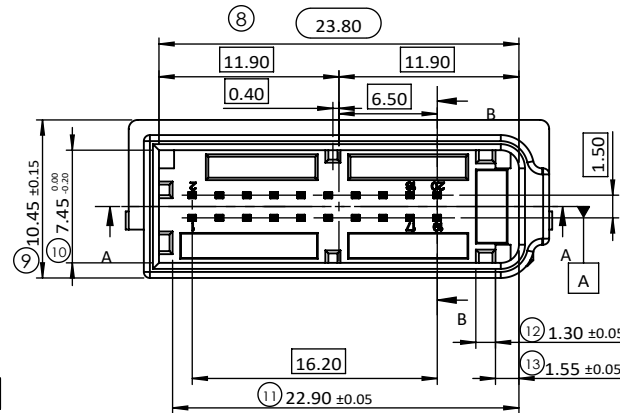
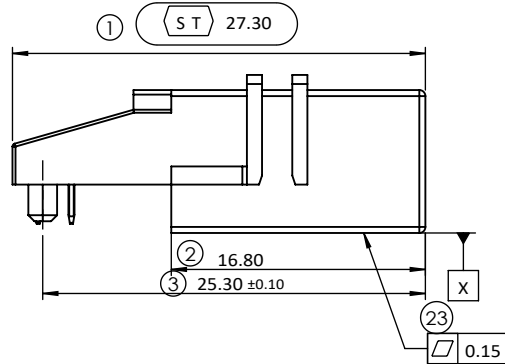
ELECTRICAL CHARACTERISTIC

1. CURRENT RATING: 2.54A (PER PIN)
2. INSULATION RESISTANCE: 100MΩ MIN.
3. DIELECTRIC WITHSTANDING VOLTAGE: 1000V AC
4. TERMINAL RESISTANCE: 30mΩ MAX.

MECHANICAL CHARACTERISTIC

REFLOW SOLDER CAPABLE TO 260°C/20s

LASER MARKING:
YY: YEAR (19: 2019)
WW: WEEK (25: THE 25TH WEEK)
DD: (D1~D7: SUNDAY~SATURDAY)
A: MECHANICAL NUMBER



UNLESS OTHERWISE SPECIFIED TOLERANCE	
ANG.	+2°
0.	+0.30
.0	+0.20
.00	+0.10



SCALE: 2:1 UNIT: mm

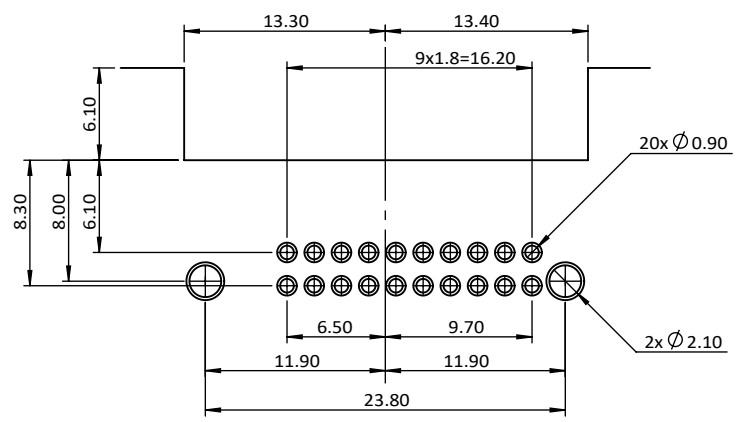
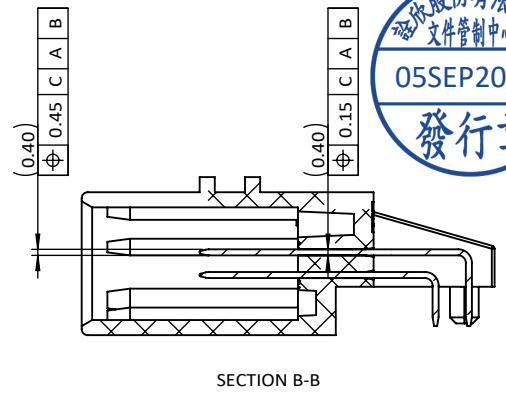
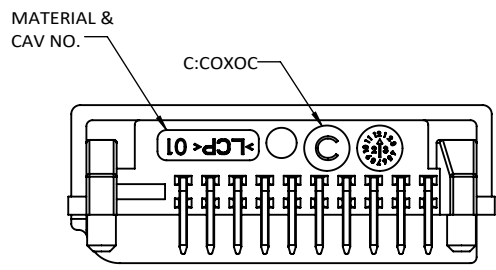
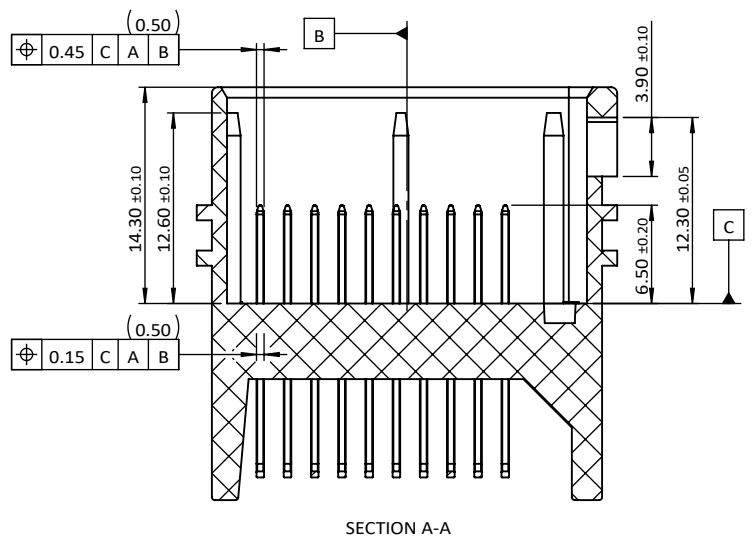
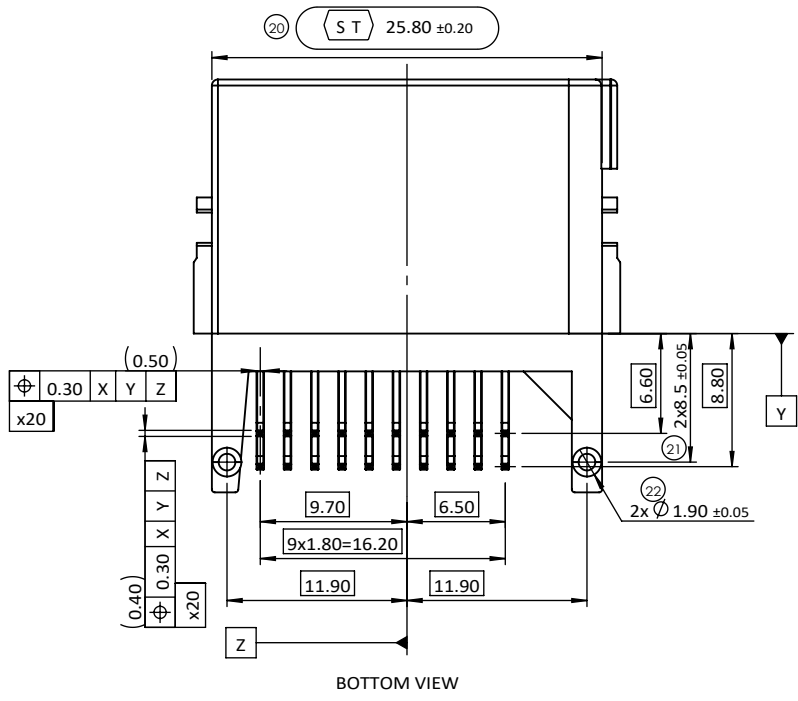
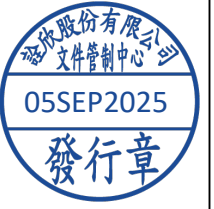


DRAWN: ANDY_GAU 01 Jul 2025
CHECKED: RITA_CHANG 01 Jul 2025
APPROVED: MARK_YEN 01 Jul 2025

TITLE: PDR-23052
LEO_20P CONNECTOR
PART NO. 5450101001A
CODE: CUSTOMER:

ZONE	REVISION	DESCRIPTION	DATE
1	A	ECN-2508078(ANDY) X5 CHANGE TO A	18AUG2025

RoHS
compliant



RECOMMENDED PCB LAYOUT
GENERAL TOLERANCE ±0.05
TOP VIEW

UNLESS OTHERWISE SPECIFIED TOLERANCE	SIP
ANG. +2°	Crnk Cpk
0. +0.30	
.0 +0.20	
.00 ±0.10	



SCALE: 2:1	UNIT: mm
DRAWN: ANDY_GAU	01 Jul 2025
CHECKED: RITA_CHANG	01 Jul 2025
APPROVED: MARK_YEN	01 Jul 2025
SIZE A4	SHEET 2/2
REV. A	

TITLE: PDR-23052	
LEO_20P CONNECTOR	
PART NO. 5450101001A	C
CODE:	CUSTOMER:

ZONE	REVISION	DESCRIPTION	DATE
1	A	ECN-2508078(ANDY) X5 CHANGE TO A	18AUG2025