

HF compliant



SPECIFICATION

MATERIAL AND FINISH:

1. INSULATOR: PA9T OR PA6T
2. CONTACTS: BRASS
CONTACT AREA: 6u" AU
SOLDER TAILS AREA: 80~160u" SN MATTE
3. SHELL: PHOSPHOR BRONZE, 120~240u" SN MATTE

ELECTRICAL CHARACTERISTIC:

1. IMPEDANCE, DIFFERENTIAL MODE: 100 Ω DIFFERENTIAL SIGNALLING, FOR ONE PAIR OR QUAD CABLE SHIELDED
2. FREQUENCY: DC TO 2.0 GHz
3. RETURN LOSS: ≥ 20 dB TO 1.0 GHz
≥ 17 dB TO 2.0 GHz
4. INSERTION LOSS: ≤ 0.1 dB @ 1.0 GHz
5. INSULATION RESISTANCE: ≥ 1000MΩ
6. SIGNAL CONTACT RESISTANCE: ≤ 10mΩ

MECHANICAL CHARACTERISTIC:

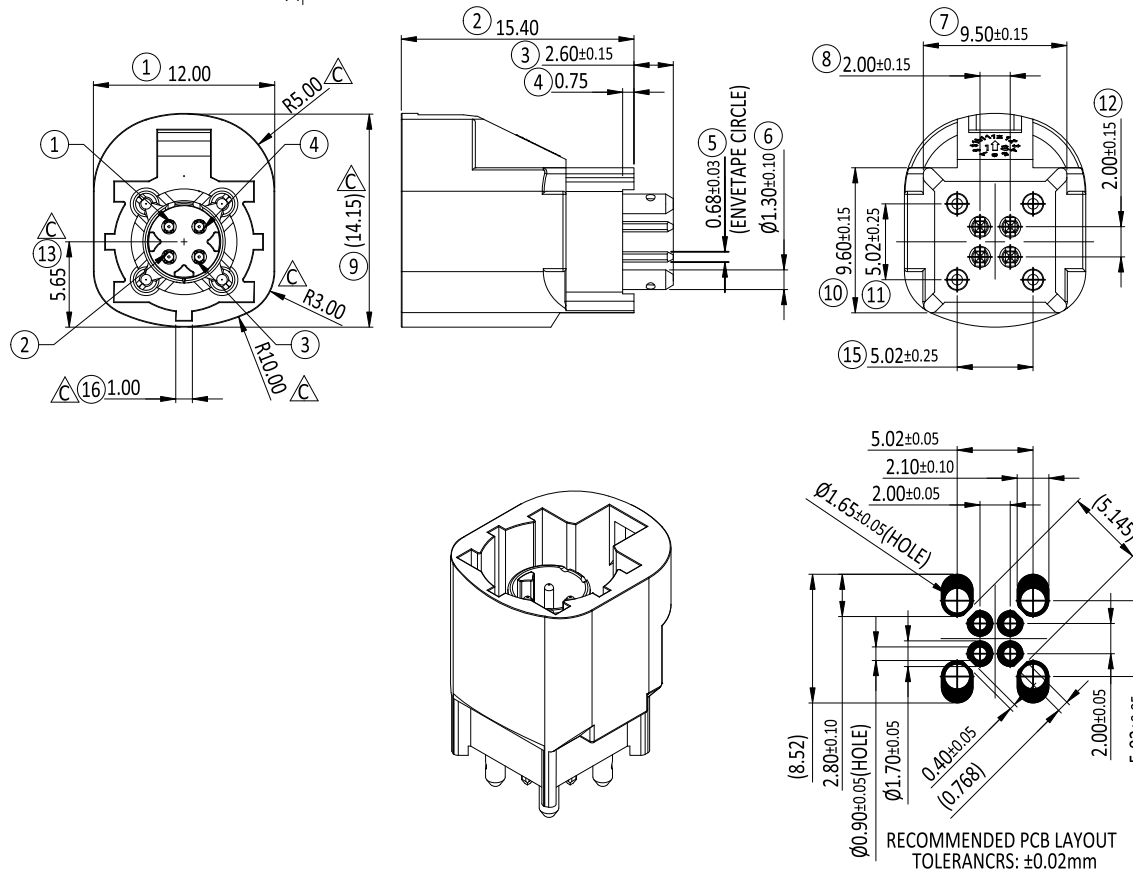
1. MATING CYCLES: ≥ 25 CYCLES
2. ENGAGEMENT FORCE: ≤ 30N
3. DISENGAGEMENT FORCE: ≥ 5N
4. RETENTION FORCE LATCH: ≥ 110N
5. CODING EFFICIENCY: ≥ 80N

ENVIRONMENT:

1. OPERATING TEMPERATURE RANGE: -40°C TO +105°C

PACKING STYLE:

1. REEL+CAP



X-CODING(EX. Z=Z CODE)SEE PAGE 2/2

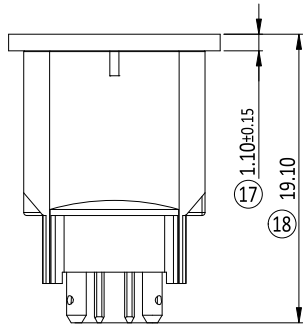
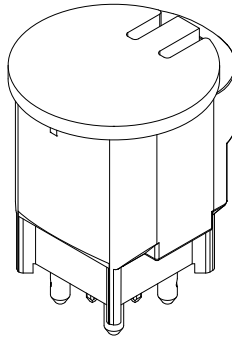
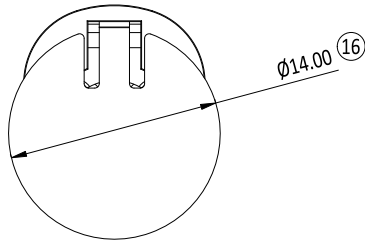
2	5430201002X	N/A	PA6T(HF)
1	5430201001X	410AF04N6TS2T13X	PA9T
ITEM	NEW P/N	OLD P/N	INSULATOR
UNLESS OTHERWISE SPECIFIED TOLERANCE		SIP Cmk Cpk	
ANG. ±2°		CHANT SINCERE CO.,LTD	
0. ±0.50			
.0 ±0.30			
.00 ±0.20			
SCALE:	1:1	UNIT:	mm
DRAWN:	PEARL_HUNG	04 Aug 2025	TITLE: PDR-18035
CHECKED:	JERRY_CHOU	04 Aug 2025	HSD STRAIGHT PLUG
APPROVED:	MARK_YEN	05 Aug 2025	PART NO. 5430201XXXX
SIZE A4 SHEET 1/2		REV. E	CODE: GC CUSTOMER:

B6	E	ECN-2508007(ADA)NEW P/N	01AUG2025
	D	ECN-2308048(JOLIN)NEW P/N	23AUG2023
F1, E1, F2, E2	C	ECN-215056(TERESA)ADD R角及 Δ 尺寸	28MAY2021
ZONE	REVISION	DESCRIPTION	DATE

HF
compliant



A	B	C	D	E	F	Z
JET BLACK SIM. 9005	CREAM SIM. 9001	SIGNAL BLUE SIM. 5005	CLARET VIOLET SIM. 4004	LEAF GREEN SIM. 6002	NUT BROWN SIM. 8011	WATER BLUE SIM. 5021



STRAIGHT PLUG WITH CAP

UNLESS OTHERWISE SPECIFIED TOLERANCE		SIP Crk Cpk	 CHANT SINCERE CO.,LTD
ANG.	±2°		
0.	±0.50	SCALE: 2:1 UNIT: mm	
.0	±0.30	DRAWN: PEARL_HUNG 04 Aug 2025	
.00	±0.20	CHECKED: JERRY_CHOU 04 Aug 2025	
APPROVED: MARK_YEN 05 Aug 2025		TITLE: PDR-18035	
DATE		PART NO. 5430201XXXX	
DESCRIPTION		CODE: GC CUSTOMER:	
SIZE A4	SHEET 2/2	REV. E	

ZONE	REVISION	DESCRIPTION	DATE
E	ECN-2508007(ADA)SEE PAGE 1/2	01AUG2025	
D	ECN-2308048(JOLIN)SEE PAGE 1/2	23AUG2023	
F1, E1, F2, E2	ECN-215056(TERESA)SEE PAGE 1/2	28MAY2021	