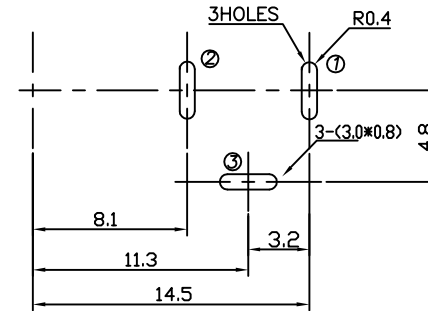
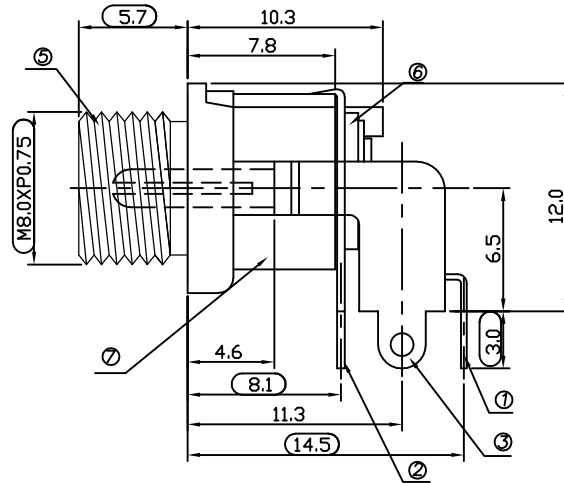
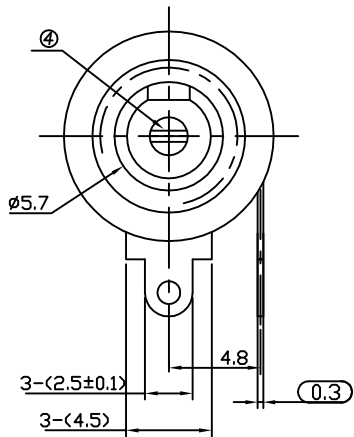
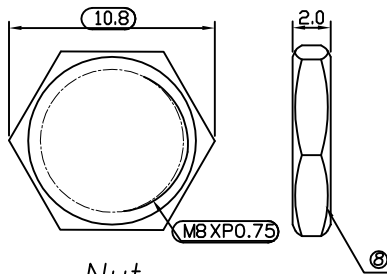


PIN	SCHEMATIC
ø2.5	1
	3
	2

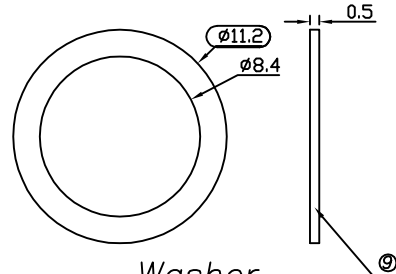
Part No.  
**416A X DCD02066 XX**  
 1 2 3  
 1.Series No.  
 416A=DC Power Jack  
 2.Green Option.  
 E=RoHS  
 3.Plated Option.  
 MB=Cu/Sn(W/Accessories)



T:1.6 Dimensions of PC board holes  
 Tolerance : ±0.05(Printed-Top view)



**Nut**  
 M40000E62N03G02A



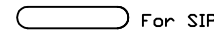
**Washer**  
 M40000E63N01101A

UNLESS OTHERWISE SPECIFIED, TOLERANCE ON DECIMAL:±0.3

9	WASHER	1	H59(COPPER ALLOY)	Ni(20u" min)	PLATED
8	NUT	1	H59(COPPER ALLOY)	Ni(20u" min)	PLATED
7	HOUSING	1	PBT 4815		UL-94V0(BLACK)
6	INSULATOR	1	PF		
5	AXIS SUPPORT	1	H59(COPPER ALLOY)	Ni(20u" min)	PLATED
4	PIN(Contact)	1	H59(COPPER ALLOY)	MB:Cu/Bright Sn(40u"min) Bright Sn(8u"min) PLATED MG:Ni(20u"min) Au(0.5u"min) PLATED	
3	SHUNT TERMIANL(Solder)	1	C2680		
2	TIP SPRING(Solder)	1	C5191		Cu/Bright Sn(40u"min) Bright Sn(8u"min) PLATED
1	CENTER PIN TERMINAL(Solder)	1	C2680		
LTR	PART NAME	QTY	MATERIAL	REMARK	

UNLESS OTHERWISE SPECIFIED TOLERANCE

±0.3



For SIP

SCALE: AS SHOWN

UNIT: mm

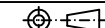
DRAWN PEARL

06/02/2016

CHECKED

APPROVED

DATE



SIZE A4

REV. X7

**OXOC**  
**CHANT SINCERE CO.,LTD**  
 TEL:886-02-86471251 FAX:886-02-86472962

DRAWN NAME:

DC POWER JACK 1/2

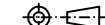
PRODUCT NO. 416AXDCD02066XX

FILE NAME: 416AXDCD02066XX(J11)

REV.

DESCRIPTION

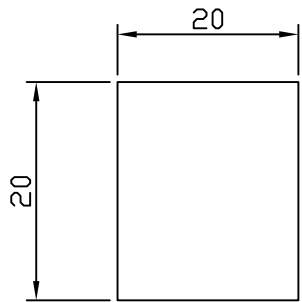
DATE



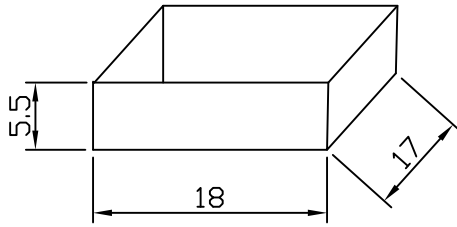
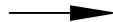
SIZE A4

REV. X7

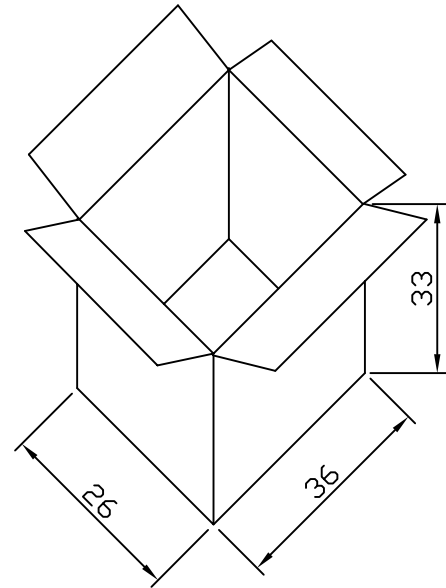
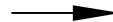
FILE NAME: 416AXDCD02066XX(J11)




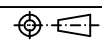
PE袋(500pcs)



內箱(1x500=500pcs)



外箱(14x500=7000pcs)

UNLESS OTHERWISE SPECIFIED TOLERANCE		 <b>CHANT SINCERE CO., LTD</b> TEL:886-02-86471251 FAX:886-02-86472962	
±0.3			
SCALE: AS SHOWN	UNIT: mm	DRAWN NAME: <b>DC POWER JACK 2/2</b> PRODUCT NO. 416AXDCD02066XX FILE NAME: 416AXDCD02066XX(J11)	
DRAWN PEARL	06/02/2016		
CHECKED			
APPROVED			
REV.	DESCRIPTION	DATE	 SIZE A4 REV. X7

