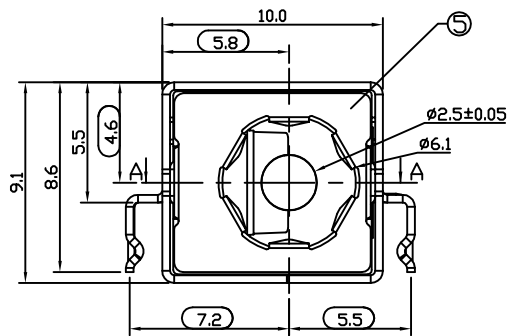


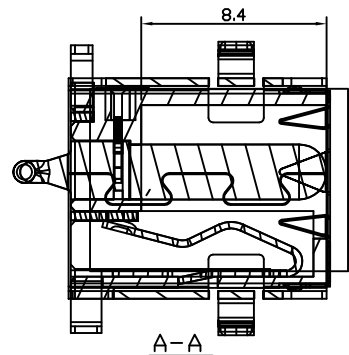
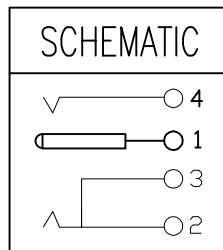
T:1.6 Dimensions of PC board holes
Tolerance : ± 0.05 (Printed-top view)



Part No.
416A E DCD02071B
1 2

1.SERIES NO.
416A=DC POWER JACK
2.GREEN OPTION.
E=RoHS

QTY	PART NAME	MATERIAL	REMARK
1	HOUSING	PA9T	UL-94V0(BLACK)
1	SHIELD	SUS301 t=0.10	
1	CONTACT FOOT	C2680 t=0.35	Ni PLATED
1	CURVE PIECE	C2680 t=0.40	Ag PLATED
1	SPRING PIECE	C5191 t=0.30	Ag PLATED
1	PIN	H59(COPPER ALLOY)	Ni PLATED



SCALE	AS SHOWN	UNIT	mm
DRAWN	PEARL	11/09/2015	DRAWN NAME:
CHECKED			DC POWER JACK
APPROVED			PRODUCT NO. 416AEDCD02071B
DATE			FILE NAME: 416AEDCD02071B(J11)

REV.	DESCRIPTION	DATE	SIZE	REV.
1			A4	X1



CHANT SINCERE CO., LTD
TEL:886-02-86471251 FAX:886-02-86472962