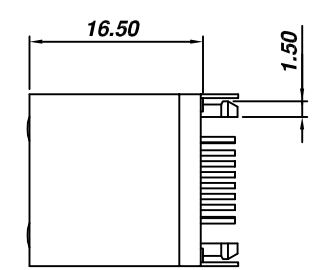


PCB LAYOUT
(Top View)
TOLERANCES: ±0.05mm



SPECIFICATION :

1. Electrical Char.

- Insulation Resistance : 500M-Ohm Min.
- Contact Resistance : 20M-Ohm Max.
- Rating Current : 1.5A Max.
- Rating Voltage : 120V AC
- Dielectric Voltage : 1,000 Vrms 60 Sec. Min.

2. Physical char.

- Housing : PBT Glass Filled (UL 94V-0)
- Color : Black Color
- Spring Wire : 0.35mm Thickness Phosphor Bronze
Gold Plating Over Nickel
- Temperature Range : - 40°C /+85°C
- Durability : 500 Mating cycles Min.

Part no.

415 C E 4 5 B 6 2 A 0 1 9 A 3
1 2 3 4 5 6 7 8 9 10 11 12 13 14

- | | |
|--|--|
| 1.SERIES NO. | 8.CONTACT TYPE: |
| 2.TYPE: C=Single Port | 2=Flat Pin |
| 3.GREEN OPTION:
E=RoHS(Bright) | 9.SHELL OPTION:
A=W/Shell(Post=3.2mm) |
| 4.CONTACT NO.:
4=8P8C | 10.SHRAPNEL OPTION:
0=W/O Shrapnel |
| 5.PORT NO:
5=DIP(Standard)180° | 11.TAB ORIENTATION:
1=Upward |
| 6.TYPE OPTION:
B=W/LED
(Yellow Left,Green Right) | 12.POST DIMENSION:
9=4=3.85mm(Behind) |
| 7.CONTACT PLATING:
6=Selective Gold 4u" | 13.PACKAGE OPTION:
A=Tray |
| | 14.INSULATOR COLOR:
3=Black |

OLD P/N:415CE12SH9F4N1YG

UNLESS OTHERWISE SPECIFIED TOLERANCE		
ANG.	±0.30'	
.00	±0.25	CHANT SINCERE CO.,LTD TEL:886-02-86471251 FAX:886-02-86472962
.000	±0.13	
SCALE: AS SHOWN	UNIT: mm	DRAWN NAME: RJ45 TOP ENTRY SHIELDED PCB JACK 1/2
DRAWN PEARL	07/19/2017	PRODUCT NO. 415CE45B62A019A3
CHECKED		FILE NAME: 415CE45B62A019A3(32)
APPROVED		

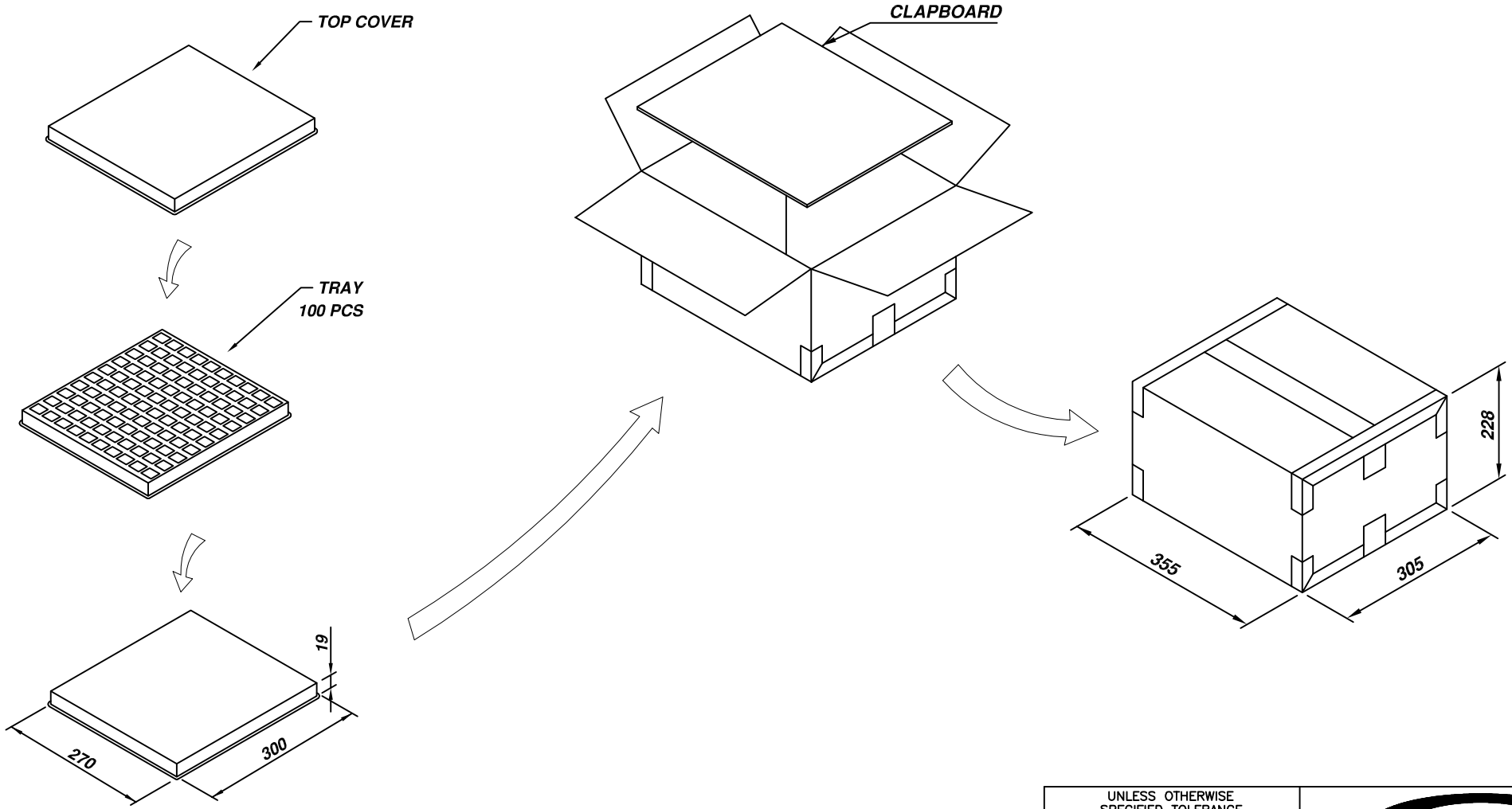
For SIP


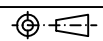
REV.	DESCRIPTION	DATE

1 2 3 4 5 6 7 8 9 10

G
F
E
D
C
B
A

	<i>Tray</i>	<i>Total</i>
<i>8P</i>	<i>100</i>	<i>1200</i>



UNLESS OTHERWISE SPECIFIED TOLERANCE		 CHANT SINCERE CO., LTD TEL:886-02-86471251 FAX:886-02-86472962	
.00	±0.25		
.000	±0.13		
.0000	±0.05		
SCALE: AS SHOWN	UNIT: mm	DRAWN NAME:	
DRAWN PEARL	07/19/2017	RJ45 TOP ENTRY SHIELDED PCB JACK(Tray Packing) 2/2	
CHECKED	/ /	PRODUCT NO. 415CE45B62A019A3	
APPROVED	/ /	FILE NAME: 415CE45B62A019A3(32)	
REV.	DESCRIPTION	DATE	 SIZE A4 REV. X1

1 2 3 4 5 6 7 8 9 10