

SPECIFICATION :

1. Electrical Char.

Insulation Resistance : 500M-Ohm Min. 500V DC. for 1 minute.
Contact Resistance : 30milli-Ohm Max.
Rating Current : 1.5A Max.
Rating Voltage : 150V AC.
Dielectric Voltage : 1,000 Vrms at 1MA 60 Sec. Min.


2. Physical char.

Housing : Nylon PA9T (Insert PA46) (UL 94V-0),Soldering Temperature:260°C for 5 Sec
Color : Black Color
Spring Wire :
0.35mm Thickness Phosphor bronze Gold Plating Over Nickel
Shielded : Brass Plating Nickel
Temperature Range : - 40°C / +85°C
Durability : 750 Mating cycles Min.

Part no.

415 C E 4 3 A X 2 A 0 1 0 A 3
 1 2 3 4 5 6 7 8 9 10 11 12 13 14

- | | |
|--|--|
| 1.SERIES NO. | 8.CONTACT TYPE: |
| 2.TYPE: C=Single Port | 2=Flat Pin |
| 3.GREEN OPTION:
E=RoHS(Bright) | 9.SHELL OPTION:
A=W/Shell(Post=3.2mm) |
| 4.CONTACT NO. :
4=8P8C | 10.SHRAPNEL OPTION:
0=W/O Shrapnel |
| 5.PORT NO:
3=SMT(Standard) | 11.TAB ORIENTATION:
1=Upward |
| 6.TYPE OPTION:
A=W/O LED | 12.POST DIMENSION:
0=Non Function |
| 7.CONTACT PLATING:
6=Selective Gold 6u"
S=Selective Gold 1u" | 13.PACKAGE OPTION:
A=Tray |
| | 14.INSULATOR COLOR:
3=Black |

 For SIP

 For cmk/cpk

UNLESS OTHERWISE SPECIFIED TOLERANCE	
.00	±0.25
.000	±0.13
.0000	±0.05

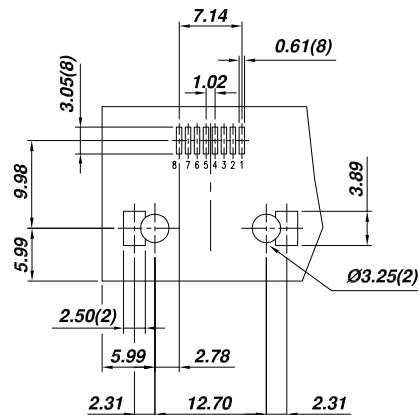
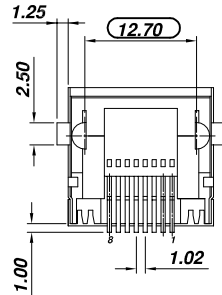
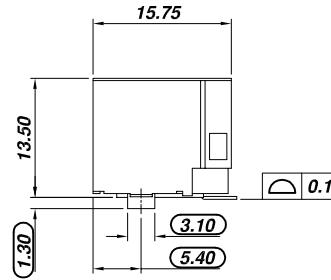
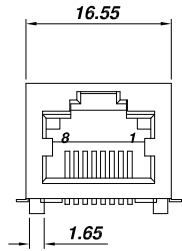
SCALE: AS SHOWN	UNIT: mm
DRAWN PEARL	08/11/2014
CHECKED	
APPROVED	
SIZE A4	REV. A

OXOC

CHANT SINCERE CO.,LTD
 TEL: 886-02-86471251 FAX: 886-02-86472962

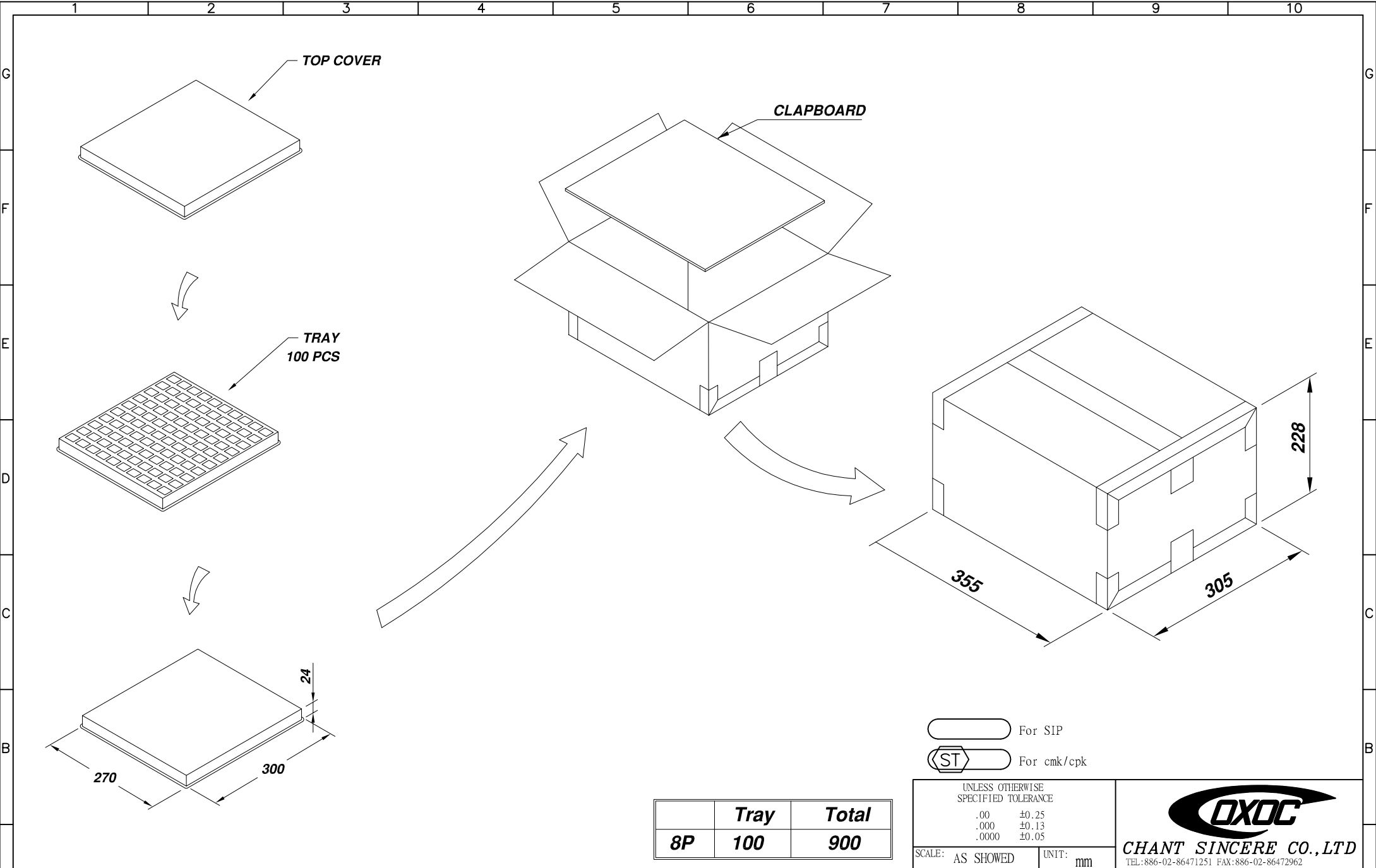
DRAWN NAME: RJ45扁針 SMT(Standard) 8P8C
 腳柱3.2 (1/3)

PRODUCT NO. 415CE43AX2A010A3
 FILE NAME: 415CE43AX2A010A3(32)

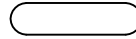
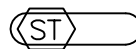


PCB LAYOUT
(Top View)


REV.	DESCRIPTION	DATE	SIZE	REV.	FILE NAME
			A4	A	415CE43AX2A010A3(32)



	Tray	Total
8P	100	900

 For SIP
 For cmk/cpk

UNLESS OTHERWISE SPECIFIED TOLERANCE	
.00	±0.25
.000	±0.13
.0000	±0.05
SCALE: AS SHOWN	UNIT: mm
DRAWN PEARL	08/11/2014
CHECKED	
APPROVED	


CHANT SINCERE CO., LTD
 TEL: 886-02-86471251 FAX: 886-02-86472962

DRAWN NAME: RJ45扁針 SMT(Standard) 8P8C 腳柱3.2 (2/3)	PRODUCT NO. 415CE43AX2A010A3
FILE NAME: 415CE43AX2A010C3(32)	

REV.	DESCRIPTION	DATE