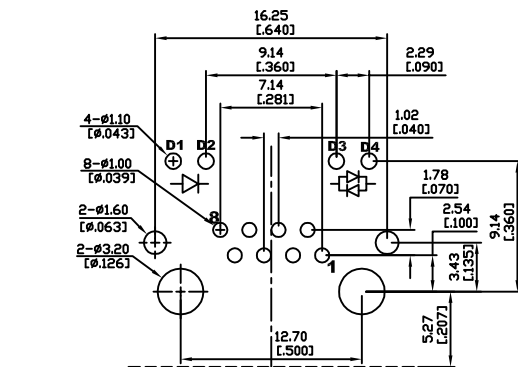
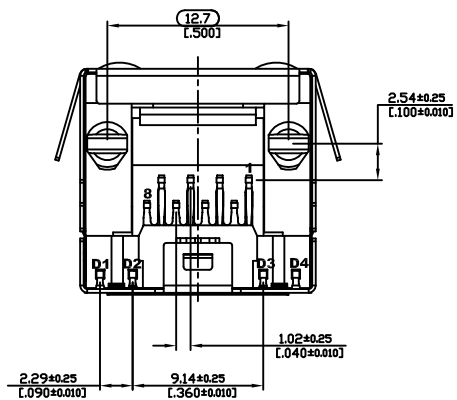
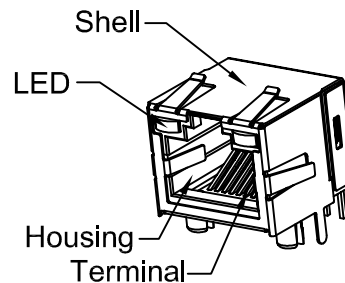


DET.A
SCALE 2:1



RECOMMENDED PCB LAYOUT
TOP VIEW
TOLERANCE: ±0.05mm
PCB THICKNESS: 1.60±0.05mm

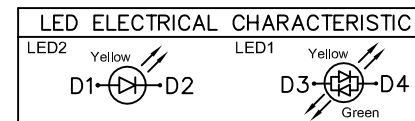
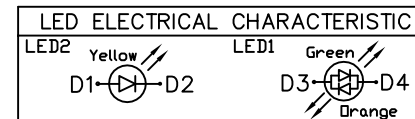


Electrical Characteristics :
Insulation Resistance : 500MΩ Min.
Contact Resistance : 50mΩ Max.
Withstand Voltage : 1000 VAC 1 minute.
Current Rating : 1.5A
Operation Temperature:-40~80°C

Material:
Housing: Thermoplastic UL94V-0
Contact : Selective Gold Plating
Terminal: 0.35mm Thickness Copper Alloy
Plated With Gold And Tin In Solder Area.
Shell: Copper Alloy ,Nickel Plating

Part no. 415CE41 XX2A214A3
1 2 3 4 5 6 7 8 9 10 11 12 13 14

- SERIES NO.
- TYPE: C=Single Port
- GREEN OPTION:
E=RoHS(Bright)
- CONTACT NO.:
4=8P8C
- PORT NO:
1=DIP(Standard)
- TYPE OPTION:
B=W/LED
(Ye Left,Gr Right)
J=W/LED
(Ye Left,Gr/Or Right)
N =W/LED
(Ye Left,Ye /Gr Right)
- CONTACT PLATING:
4=Gold 6u"
S=Selective Gold lu"
- CONTACT TYPE:
2=Flat Pin
- SHELL OPTION:
A=W/Shell
- SHRAPNEL OPTION:
2=Open Backward
- TAB ORIENTATION:
1=Upward
- POST DIMENSION:
4=3.43mm(Behind)
- PACKAGE OPTION:
A=Tray
- INSULATOR COLOR:
3=Black



UNLESS OTHERWISE SPECIFIED TOLERANCE	
0.0	±0.25
.00	±0.15
.000	±0.075



CHANT SINCERE CO.,LTD
TEL:886-02-86471251 FAX:886-02-86472962

For SIP

SCALE: AS SHOWN	UNIT: mm
DRAWN Shian	09/27/2017
CHECKED	
APPROVED	

DRAWN NAME:
RJ45,Shielded,Receptacle,
Horizontal,Single Port,Tht,With Led

PRODUCT NO. 415CE41XX2A214A3

REV.

DESCRIPTION

DATE

SIZE A4 REV: X3

FILE NAME: 415CE41XX2A214A3(ZH)