

Electrical Characteristics :

Insulation Resistance : 500MΩ Min.
 Contact Resistance : 50mΩ Max.
 Withstand Voltage : 1000 VAC 1 minute.
 Current Rating : 1.5A
 Operation Temperature:-40~80°C

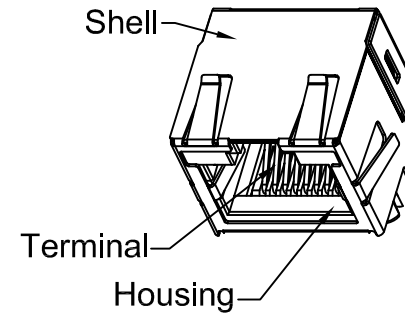
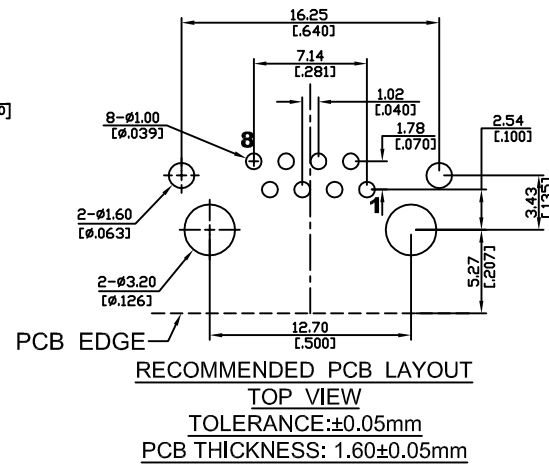
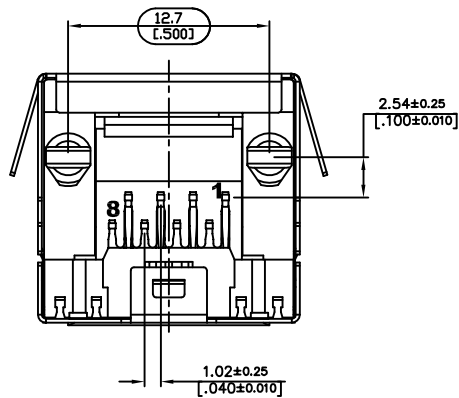
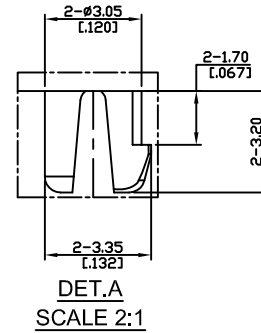
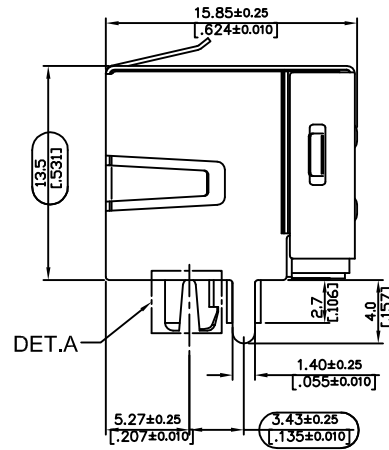
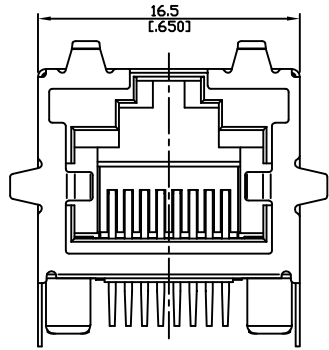
Material:

Housing: Thermoplastic UL94V-0
 Contact : Selective Gold Plating
 Terminal: 0.35mm Thickness Copper Alloy
 Plated With Gold And Tin In Solder Area.
 Shell: Copper Alloy ,Nickel Plating

Part no.

415 C E 4 1 A X 2 A 2 1 4 A 3
 1 2 3 4 5 6 7 8 9 10 11 12 13 14

- | | |
|------------------------|-----------------------|
| 1. SERIES NO. | 8. CONTACT TYPE: |
| 2. TYPE: C=Single Port | 2=Flat Pin |
| 3. GREEN OPTION: | 9. SHELL OPTION: |
| E=RoHS(Bright) | A=W/Shell |
| 4. CONTACT NO.: | 10. SHRAPHNEL OPTION: |
| 4=8P8C | 2=Open Backward |
| 5. PORT NO: | 11. TAB ORIENTATION: |
| 1=DIP(Standard) | 1=Upward |
| 6. TYPE OPTION: | 12. POST DIMENSION: |
| A=W/O LED | 4=3.43mm(Behind) |
| 7. CONTACT PLATING: | 13. PACKAGE OPTION: |
| 4=Gold 6u" | A=Tray |
| S=Selective Gold 1u" | 14. INSULATOR COLOR: |
| | 3=Black |



UNLESS OTHERWISE SPECIFIED TOLERANCE	
0.0	±0.25
.00	±0.15
.000	±0.075



CHANT SINCERE CO., LTD
 TEL: 886-02-86471251 FAX: 886-02-86472962

For SIP

SCALE: AS SHOWN	UNIT: mm
DRAWN Vicky	02/18/2016
CHECKED	
APPROVED	

DRAWN NAME: RJ45,Shielded,Receptacle, Horizontal,Single Port,Tht, (PDR-16015)
 PRODUCT NO. 415CE41AX2A214A3

REV.	DESCRIPTION	DATE	SIZE	REV.	FILE NAME:
			A4	A	415CE41AX2A214A3(ZH)