

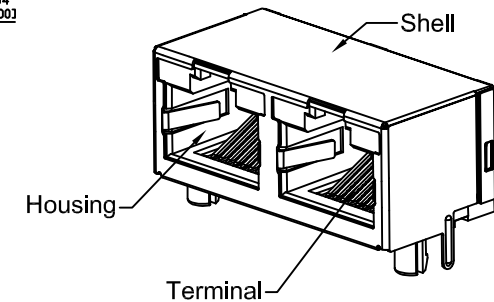
RECOMMENDED PCB LAYOUT
TOP VIEW
TOLERANCE: ±0.05mm
PCB THICKNESS: 1.60±0.05mm

Electrical Characteristics :
Insulation Resistance : 500MΩ Min.
Contact Resistance : 50mΩ Max.
Withstand Voltage : 1000 VAC 1 minute.
Current Rating : 1.5A
Operation Temperature: -40~80°C

Material:
Housing: Thermoplastic UL94V-0
Contact : Selective Gold Plating
Terminal: 0.35mm Thickness Copper Alloy
Plated With Gold And Tin In Solder Area.
Shell: Copper Alloy ,Nickel Plating
Part no.

415 B E 4 A X 2 A 0 1 4 A 3
1 2 3 4 5 6 7 8 9 10 11 12 13 14

- | | |
|--|--|
| 1.SERIES NO. | 8.CONTACT TYPE: |
| 2.TYPE: B=Single Row | 2=Flat Pin |
| 3.GREEN OPTION:
E=RoHS(Bright) | 9.SHELL OPTION:
A=W/Shell |
| 4.CONTACT NO.:
4=8P8C | 10.SHRAPNEL OPTION:
0=W/O Shrapnel |
| 5.PORT NO:
2=1*2 | 11.TAB ORIENTATION:
1=Upward |
| 6.TYPE OPTION:
A=W/O LED | 12.POST DIMENSION:
4=3.43mm(Behind) |
| 7.CONTACT PLATING:
S=Selective Gold 1u"
6=Selective Gold 6u" | 13.PACKAGE OPTION:
A=Tray |
| | 14.INSULATOR COLOR:
3=Black |



UNLESS OTHERWISE SPECIFIED TOLERANCE	
0.0	±0.25
.00	±0.15
.000	±0.075



CHANT SINCERE CO., LTD
TEL:886-02-86471251 FAX:886-02-86472962

For SIP

SCALE: AS SHOWN	UNIT: mm
DRAWN PEARL	05/31/2016
CHECKED	
APPROVED	

DRAWN NAME:
RJ45,Shielded,Receptacle,
Horizontal,1x2 Ports,Tht
PRODUCT NO. 415BE42AX2A014A3
FILE NAME: 415BE42AX2A014A3(ZH)

REV.	DESCRIPTION	DATE	SIZE A4	REV. X1