

SPECIFICATION AND PERFORMANCE

- Scope  
This specification covers the requirements for product performance, tests and quality assurance provisions for side entry PCB jack
- Applicable document  
The following documents form a part of this specification to the extent specified herein. In the event of conflict between the requirements of this specification and the product drawing, the drawing shall take precedence
- Materials  
Housing: Thermoplastic PA46 Flammability Rating: UL94V-0.  
(Color: pantone Black)  
Contacts: phosphor bronze = 0.46mm Round Pin  
Shielded: 0.20 thickness brass with nickel plated.  
Plating: Gold plating over nickel  
PCB retention fre-solder: 1LB min.
- Mechanical characteristics:  
Durability: 750 (modular jack) insertion/plug dimension cycles  
Mates with modular plug conforming to FCCI 168 subpart.F
- Electrical  
Current rating: 1.5AMP  
Voltage rating: 125VAC max.  
Contact resistance: 30 milliohms max.  
Insulation resistance: 500 megohms min. @ 500 VDC.  
Dielectric strength: 2250 VDC.
- Environmental:  
Operating temperature: 0°C ~ +70°C  
Storage temperature: -40°C ~ +85°C
- Applicable printed circuit board  
The product is designed to meet the electrical, mechanical and environmental performance requirements specified in product drawing

Part no.

415 A E 4 2 J X 1 C 2 0 3 A 3  
1 2 3 4 5 6 7 8 9 10 11 12 13 14

- |                                  |                        |
|----------------------------------|------------------------|
| 1. SERIES NO.                    | 8. CONTACT TYPE:       |
| 2. TYPE: A= Dual Row             | 1= Round Pin           |
| 3. GREEN OPTION:                 | 9. SHELL OPTION:       |
| E= RoHS (Bright)                 | C= W/Shell (Post=3.35) |
| 4. CONTACT NO.:                  | 10. SHRAPNEL OPTION:   |
| 4= 8P8C                          | 2= Open Backward       |
| 5. PORT NO:                      | 11. TAB ORIENTATION:   |
| 2= 2*2                           | 0= Standard            |
| 6. TYPE OPTION:                  | 12. POST DIMENSION:    |
| J= W/LED                         | 3= 7.11mm (Behind)     |
| (Yellow LED1, Green/Orange LED2) | 13. PACKAGE OPTION:    |
| 7. CONTACT PLATING:              | A= Tray                |
| G= Gold 1u"                      | 14. INSULATOR COLOR:   |
| 4= Gold 6u"                      | 3= Black               |

UNLESS OTHERWISE SPECIFIED TOLERANCE .X ± 1" .X ± 0.25 .XX ± 0.15 .XXX ± 0.10	
SCALE: AS SHOWN	UNIT: mm
DRAWN PEARL	04/26/2016
CHECKED	
APPROVED	

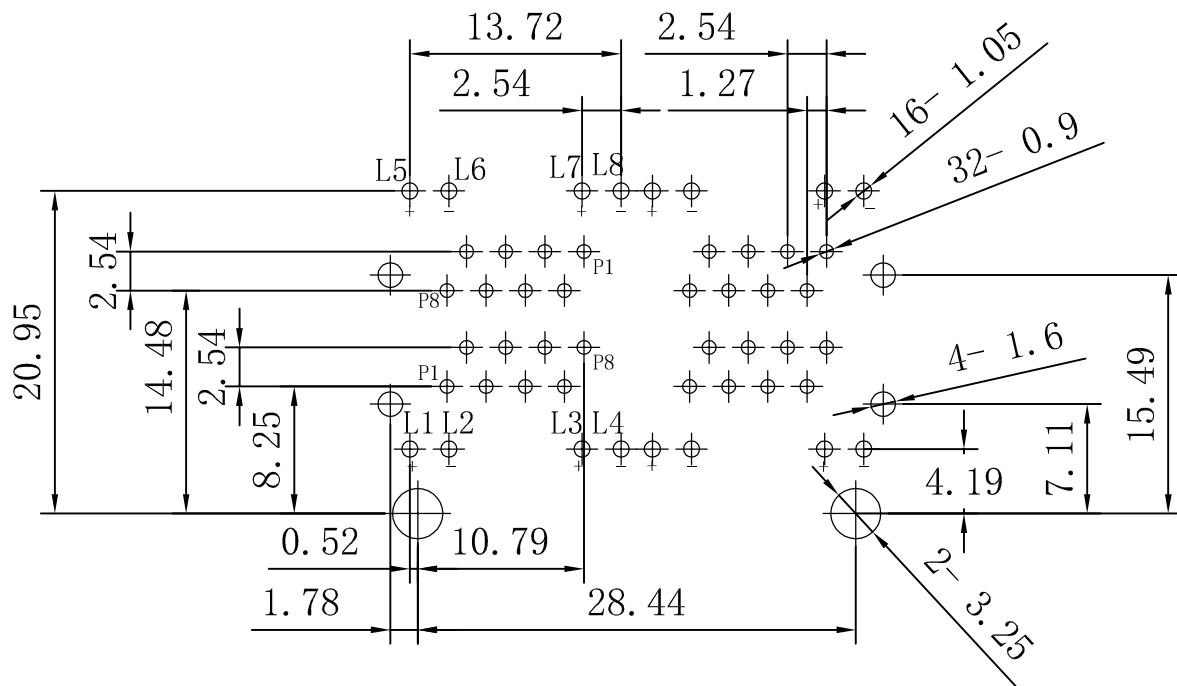


CHANT SINCERE CO., LTD  
TEL: 886-02-86471251 FAX: 886-02-86472962

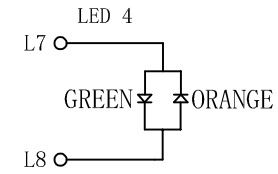
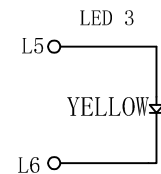
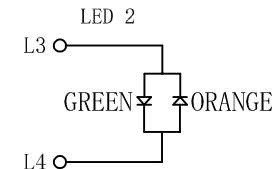
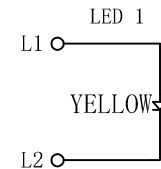
DRAWN NAME:  
2X2 RJ45 8P8C SIDE ENTRY JACK WITH LED  
PRODUCT NO. 415AE42JX1C203A3  
FILE NAME: 415AE42JX1C203A3(D13)

For SIP

REV.	DESCRIPTION	DATE	SIZE	REV.
1			A4	X1



RECOMMENDED PCB LAYOUT  
(COMPONENT SIDE VIEW)



LED 1&3 POLARITY			LED 2&4 POLARITY		
L1&L5	L2&L6	COLOR	L3&L7	L4&L8	COLOR
+	-	YELLOW	+	-	GREEN
			-	+	ORANGE

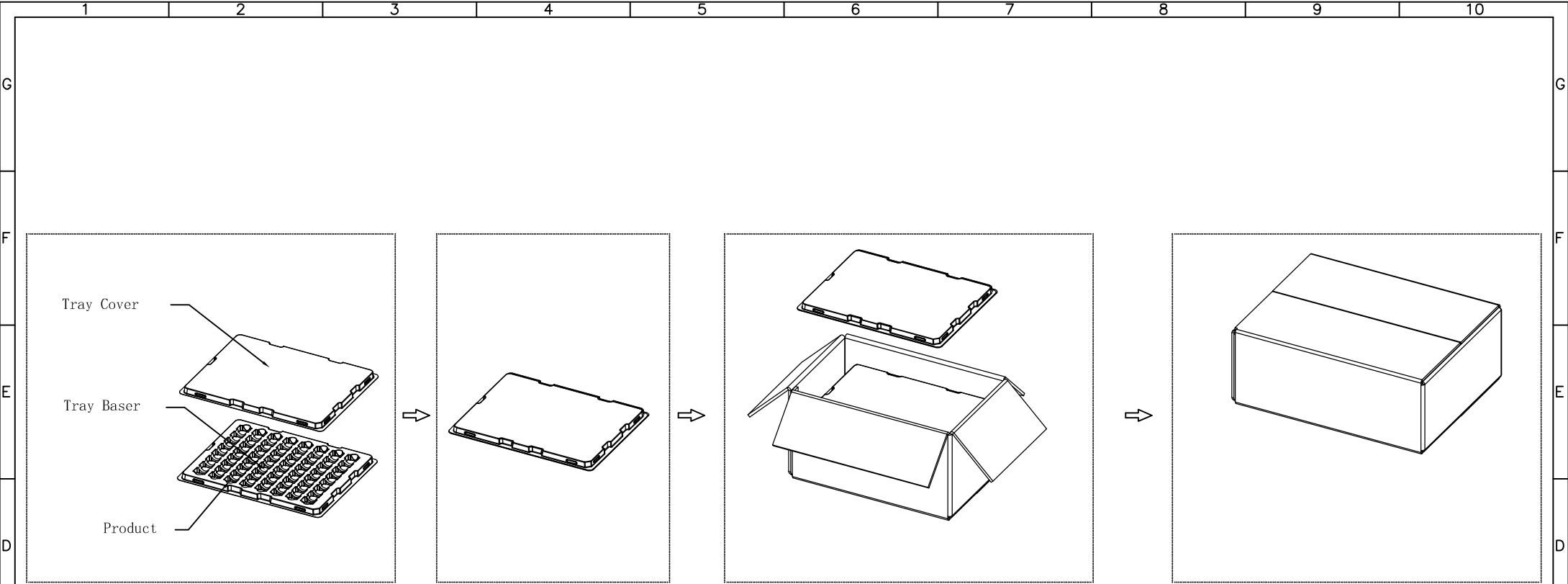
LED ELECTRICAL / OPTICAL CHARACTERISTICS

COLOR	IF	VF (FORWARD VOLTAGE)	λ D DOMINANT WAVELENGTH
GREEN	20mA	2.2 V	565nm
YELLOW	20mA	2.1 V	590nm
YELLOW	20mA	2.2 V	610nm


UNLESS OTHERWISE SPECIFIED TOLERANCE .X ± 1° .X ± 0.25 .XX ± 0.15 .XXX ± 0.10		 <b>CHANT SINCERE CO., LTD</b> TEL:886-02-86471251 FAX:886-02-86472962	
SCALE: AS SHOWN	UNIT: mm		
DRAWN PEARL	04/26/2016	DRAWN NAME: 2X2 RJ45 8P8C SIDE ENTRY JACK WITH LED	
CHECKED		2/3	
APPROVED		PRODUCT NO. 415AE42JX1C203A3	
REV.	DESCRIPTION	DATE	FILE NAME: 415AE42JX1C203A3(D13)

REV.	DESCRIPTION	DATE
1		
2		
3		
4		
5		
6		
7		

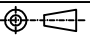
SIZE A4	REV. X1
---------	---------



PACKING QUANTITY : 30 PCS FINISHED GOODS PER TRAY  
 8 TRAYS (240 PCS FINISHED GOODS) PER CARTON BOX

UNLESS OTHERWISE SPECIFIED TOLERANCE .X ± 1° .X ± 0.25 .XX ± 0.15 .XXX ± 0.10		 <b>CHANT SINCERE CO., LTD</b> TEL:886-02-86471251 FAX:886-02-86472962	
SCALE: AS SHOWN	UNIT: mm		
DRAWN	PEARL	04/26/2016	DRAWN NAME: 2X2 RJ45 8P8C SIDE ENTRY JACK WITH LED 3/3
CHECKED			PRODUCT NO. 415AE42JX1C203A3
APPROVED			FILE NAME: 415AE42JX1C203A3(D13)

REV.	DESCRIPTION	DATE
1		
2		
3		
4		
5		
6		
7		

	SIZE A4	REV. X1
---	---------	---------