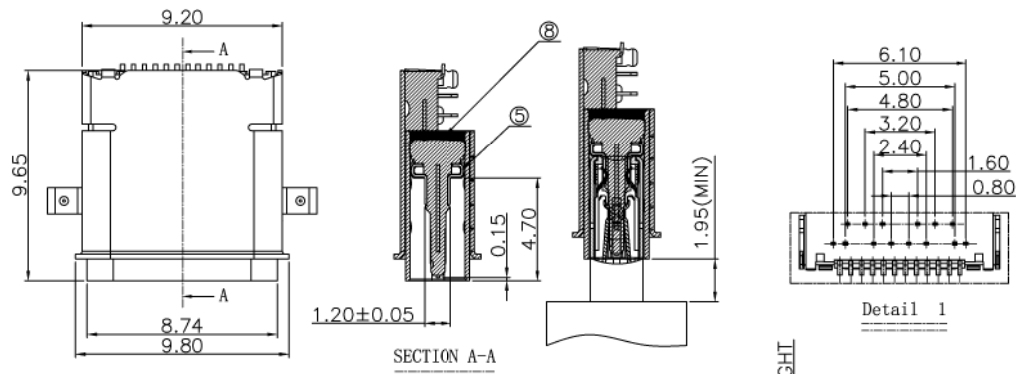


30 Min/1m  
IP-67



Pin	Signal Name	Mating Sequence	Pin	Signal Name	Mating Sequence
A1	GND	First	B12	GND	First
A2	SSTXp1	Second	B11	SSRXp1	Second
A3	SSTXn1	Second	B10	SSRXn1	Second
A4	V <sub>BS</sub>	First	B9	V <sub>BS</sub>	First
A5	CC1	Second	B8	SBU2	Second
A6	Dp1	Second	B7	Dn2	Second
A7	Dn1	Second	B6	Dp2	Second
A8	SBU1	Second	B5	CC2	Second
A9	V <sub>BS</sub>	First	B4	V <sub>BS</sub>	First
A10	SSRXn2	Second	B3	SSTXn2	Second
A11	SSRXp2	Second	B2	SSTXp2	Second
A12	GND	First	B1	GND	First
SHELL	GND		SHELL	GND	

- NOTES:  
 1. MATERIAL: SEE "TABLE 1";  
 2. FINISH: SEE "TABLE 1";  
 3. ELECTRICAL :  
 3-1.CONTACT CURRENT RATING :  
 5A(VBUS PIN 1.5A/PIN),  
 5A(GND PIN 1.25A/PIN MAX),0.25A/PIN(OTHER PIN).  
 3-2.INSULATION RESISTANCE :  
 100 MEGAOHMS MIN. AT 250VDC.  
 3-3.DIELECTRIC WITHSTANDING VOLTAGE :  
 100VAC MIN.  
 3-4.LOW LEVEL CONTACT RESISTANCE :  
 INITIAL 40mΩ MAX.  
 AFTER 50mΩ MAX.  
 4.MECHANICAL CHARACTERISTICS :  
 4-1. MATING FORCE: 5~20N;  
 4-2. UNMATING FORCE: 8~20N(INITIAL),6~20N(AFTER 10000 CYCLES);  
 4-3.DURABILITY : 10,000 MATING CYCLES.  
 4-4.OPERATING TEMPERATURE : -40°C TO +80°C

Part no.

349 A G 24 B C I A5 N 1 C 3  
 1 2 3 4 5 6 7 8 9 10 1112

- |   |                                    |
|---|------------------------------------|
| 1.SERIES NO.                                | 8.APPLY TYPE:                      |
| 2.TYPE:A=Standard                           | A5=USB 3.1 CF                      |
| 3.GREEN OPTION:<br>G=RoHS+HF(Bright Plated) | 9.SHELL PLATING:<br>N=Nickel       |
| 4.CONTACT NUMBER:<br>24=24 Pin              | 10.TYPE.<br>1=Center Height 0.3mm  |
| 5.CONTACT TYPE<br>B=Female(LCP)             | 11.PACKING STYLE:<br>C=Type & Reel |
| 6.CONTACT AREA PLATING:<br>C=15u" Gold      | 12.INSULATOR COLOR:<br>3=Black     |
| 7.SOLDER TAILS AREA PLATING:<br>T=TIN       |                                    |

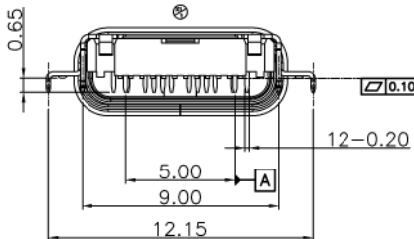
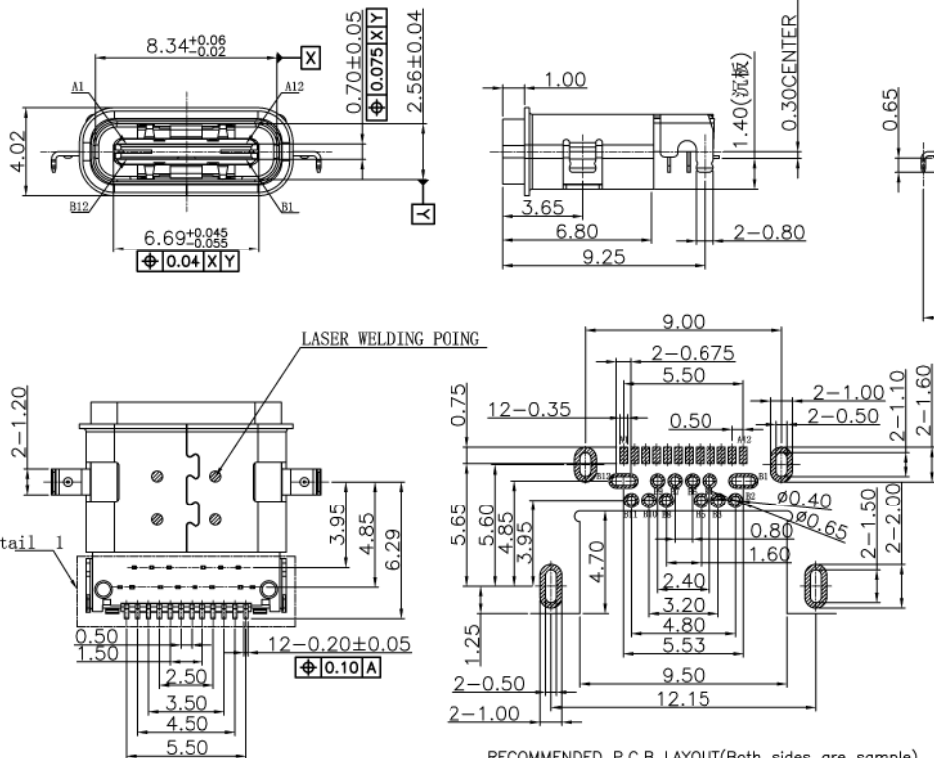
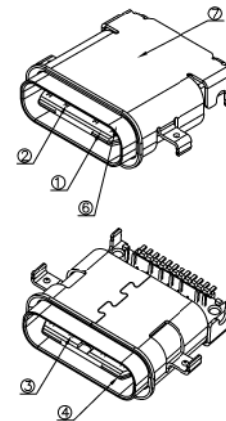


TABLE 1:

NO.	PART NAME	QTY	MATERIAL	DESCRIPTION	REMARK
⑧	GLUE WATER	1	EPOXY	BLACK;	
⑦	Shell-2	1	Stainless steel	NI PLATING;	T=0.20mm
⑥	Shell-1	1	Stainless steel	NI PLATING;	T=0.20mm
⑤	GND PLATE	1	Stainless steel	NI PLATING;	T=0.10mm
④	MID PLATE	1	Stainless steel		T=0.15mm
③	Terminal-B	12	Copper Alloy	Au:15u" PLATING;	T=0.12mm
②	Terminal-A	12		Au:15u" PLATING;	T=0.12mm
①	Housing	1	LCP	Black UL94V-0	

UNLESS OTHERWISE SPECIFIED TOLERANCE  
 X. ±5°  
 X. ±0.38  
 X.x ±0.30  
 X.xx ±0.20

SCALE: AS SHOWN UNIT: mm  
 DRAWN: PEARL 11/01/2017  
 CHECKED:  
 APPROVED:



CHANT SINCERE CO.,LTD  
 TEL:886-02-86471251 FAX:886-02-86472962

DRAWN NAME:  
 USB 3.1 CF WATERPROOF  
 CL=0.30 沉板1.40mm DIP TYPE

PRODUCT NO. 349AG24BCTA5N1C3

FILE NAME: 349AG24BCTA5N1C3(R07)

REV.	DESCRIPTION	DATE	SIZE	REV.
			A4	A