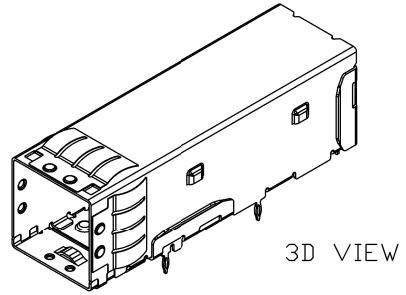
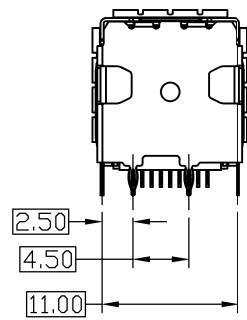
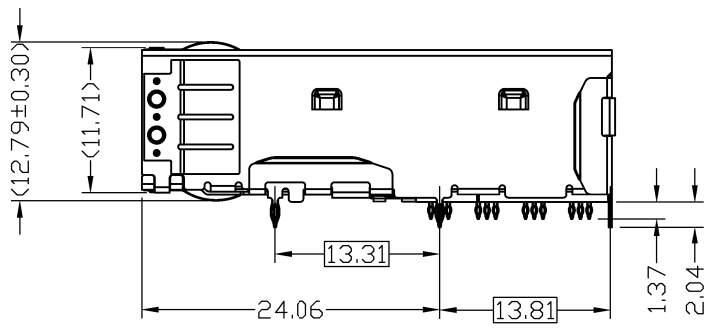
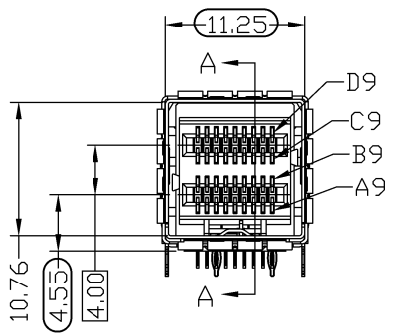


SECTION A-A



NOTES:
 1.MATERIALS
 HOUSING: HIGH TEMPERATURE THERMOPLASTIC,
 UL 94V-0, COLOR BLACK.
 TERMINAL: COPPER ALLOY
 CAGE: STAINLESS STEEL or NICKEL SILVER C7701
 EMI FINGERS: STAINLESS STEEL
 2.FINISHES
 CONTACT AREA: GOLD FINISHED OVER NICKEL
 TAIL AREA: TIN FINISHED OVER NICKEL
 CAGE: NICKEL
 3.ELECTRICAL CHARACTERISTICS:
 CONTACT CURRENT RATING: 0.5A MAX PER CONTACT.
 VOLTAGE RATING: 30V DC MAX PER CONTACT.
 DIELECTRIC WITHSTANDING VOLTAGE: 300V DC FOR 1 MINUTE.
 4.DURABILITY: 250 CYCLES.
 5.CONNECTORS ARE ROHS COMPLIANT PER ROHS DIRECTIVE
 2011/65/EU.

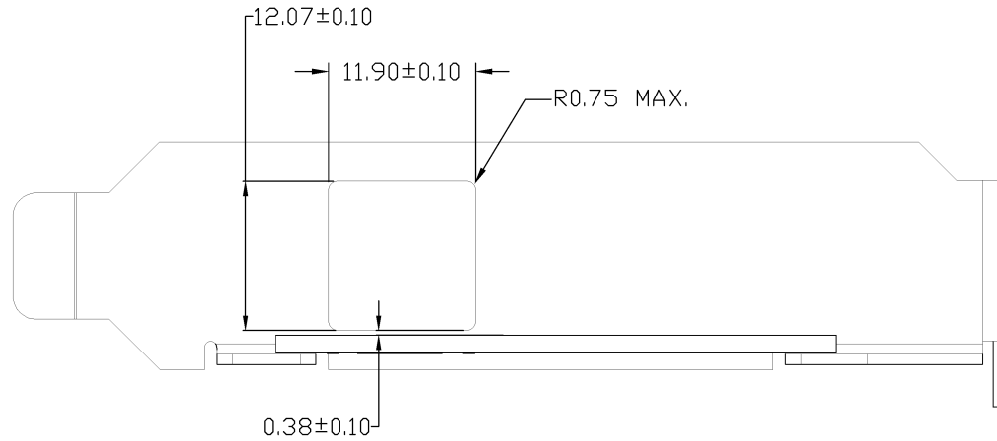
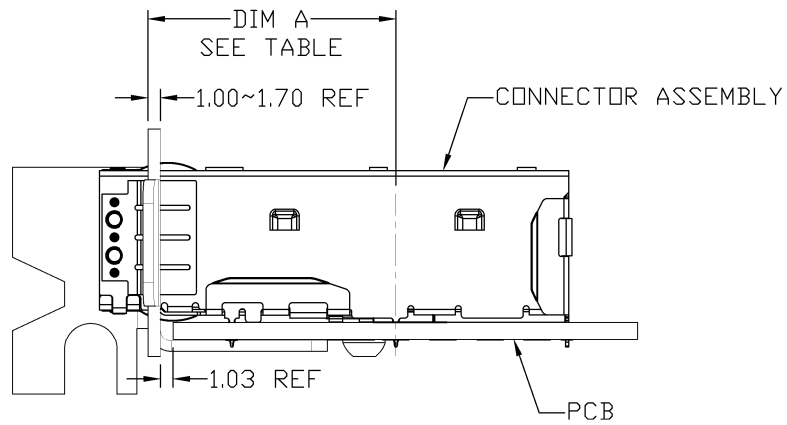
Part no. **334 G H A1 B D I C1 X 1 X 3**
 1 2 3 4 5 6 7 8 9 10 11 12

- | | |
|------------------------------|-------------------------------|
| 1.SERIES NO. | 8.TYPE OPTION: |
| 2.TYPE: G=PressFit | C1=Mini SAS HD R/A |
| 3.GREEN OPTION: | 9.SHELL PLATING |
| H=RoHS+HF(Matte Plated) | 7=Nickel(STAINLESS STEEL) |
| 4.CONTACT NUMBER: | N=Nickel(NICKEL SILVER C7701) |
| A1=1*1 | 10.PROCESS OPTION: |
| 5.CONTACT TYPE: | 1=W/Cage |
| B=Female | 11.PACKAGE OPTION: |
| 6.CONTACT PLATING: | A=TRAY |
| D=30u" Gold | C=Tape & Reel |
| 7.SOLDER TAILS AREA PLATING: | 12.INSULATOR COLOR: |
| T=Tin plated | 3=Black |

For SIP

UNLESS OTHERWISE SPECIFIED TOLERANCE 2 PLACE ±0.15 1 PLACE ±0.25 ANGULAR: X°±2°		 CHANT SINCERE CO.,LTD TEL:886-02-86471251 FAX:886-02-86472962	
SCALE: AS SHOWN	UNIT: mm		
DRAWN PEARL	08/11/2016	DRAWN NAME: MINI SAS HD R/A 1X1 WITH CAGE ASSY 1/4	
CHECKED	/ /	PRODUCT NO. 334GHA1BDTC171A3	
APPROVED	/ /	FILE NAME: 334GHA1BDTC171A3(X8)	

REV.	DESCRIPTION	DATE
1		
2		
3		
4		
5		
6		
7		



APPLICATION	DIM A
PCI ADD-IN CARD	19.00±0.15
ALL OTHER APPLICATIONS	20.08±0.15

UNLESS OTHERWISE SPECIFIED TOLERANCE 2 PLACE ±0.15 1 PLACE ±0.25 ANGULAR: X°±2°	
SCALE: AS SHOWN	UNIT: mm
DRAWN PEARL	08/11/2016
CHECKED	/ /
APPROVED	/ /
SIZE A4	REV. X2

OXOC

CHANT SINCERE CO., LTD
TEL:886-02-86471251 FAX:886-02-86472962

DRAWN NAME: MINI SAS HD R/A
1X1 WITH CAGE ASSY 2/4

PRODUCT NO. 334GHA1BDTC171A3

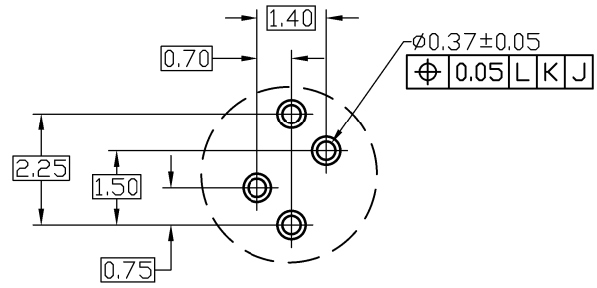
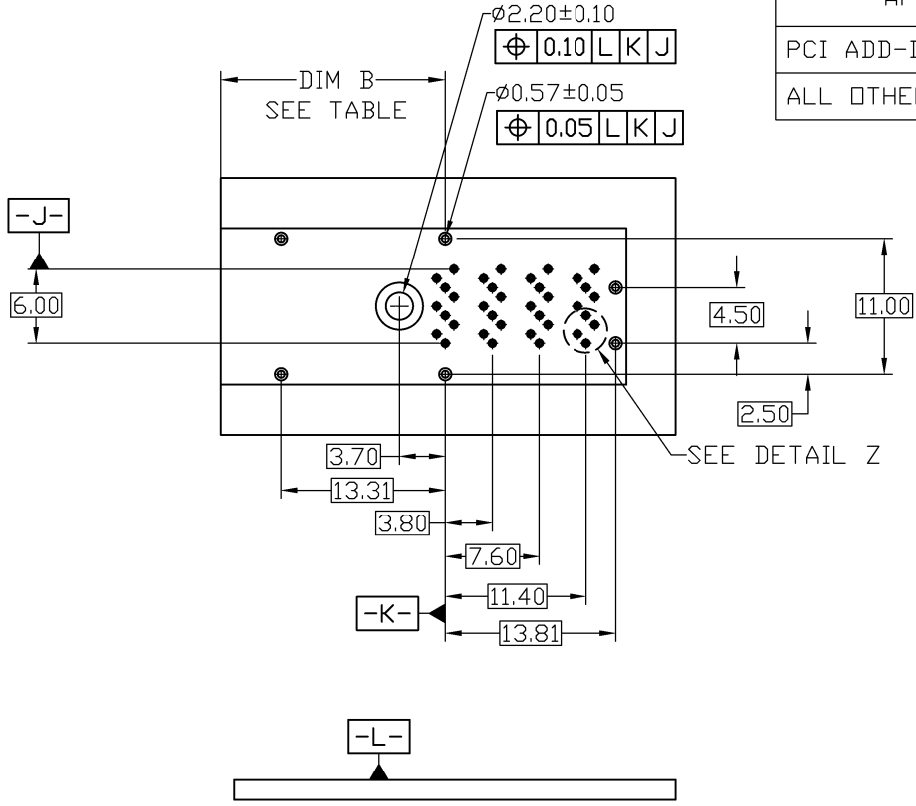
FILE NAME: 334GHA1BDTC171A3(X8)

REV.	DESCRIPTION	DATE
1		
2		
3		
4		
5		
6		
7		

1 2 3 4 5 6 7 8 9 10

G F E D C B A


APPLICATION	DIM B
PCI ADD-IN CARD	17.10±0.15
ALL OTHER APPLICATIONS	18.19±0.15



DETAIL Z
SCALE 4:1

DATUM K --DEFINED BY FIRST & LAST HOLE
IN ROW $\varnothing 0.37$
DATUM J --CENTERLINE OF OUTER HOLES
DATUM L --PCB SURFACE

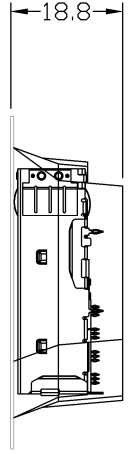
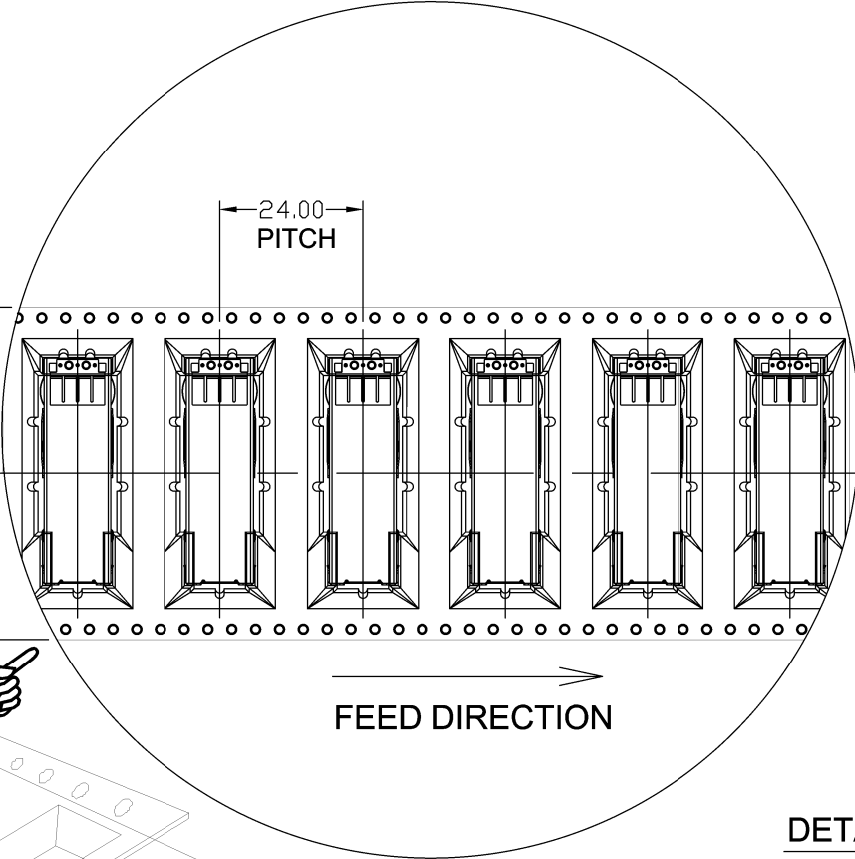
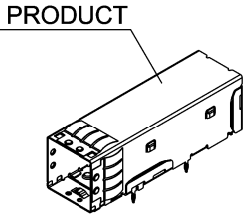
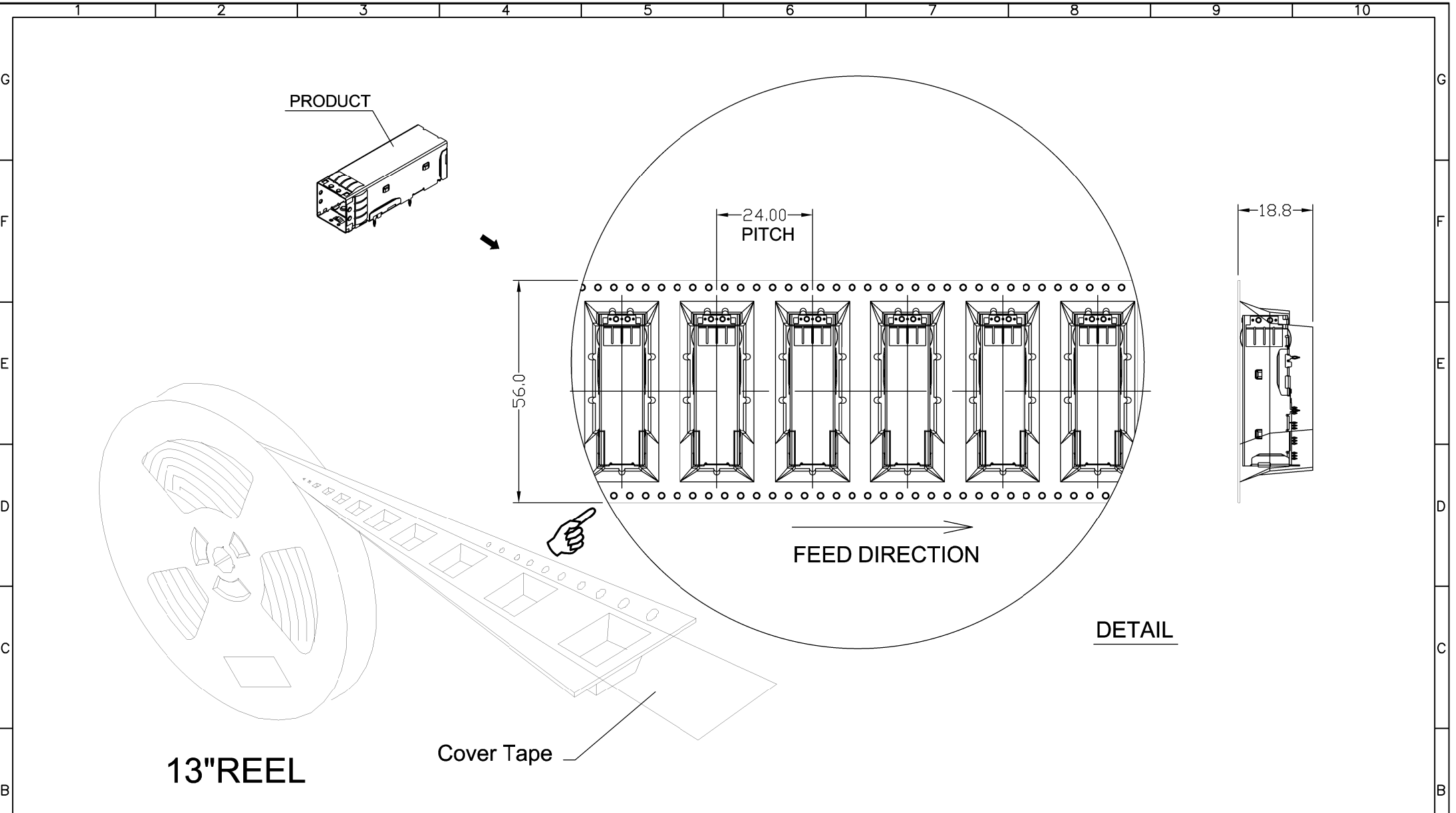
RECOMMENDED PCB LAYOUT<1X1>

UNLESS OTHERWISE SPECIFIED TOLERANCE 2 PLACE ±0.15 1 PLACE ±0.25 ANGULAR: X°±2°		 CHANT SINCERE CO., LTD TEL:886-02-86471251 FAX:886-02-86472962	
SCALE: AS SHOWN	UNIT: mm		
DRAWN PEARL	08/11/2016	DRAWN NAME: MINI SAS HD R/A 1X1 WITH CAGE ASSY 3/4	
CHECKED	/ /	PRODUCT NO. 334GHA1BDTC171A3	
APPROVED	/ /	FILE NAME: 334GHA1BDTC171A3(X8)	

REV.	DESCRIPTION	DATE
1		
2		
3		
4		
5		
6		
7		

SIZE A4 REV. X2


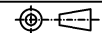
1 2 3 4 5 6 7 8 9 10



13" REEL

Cover Tape

Packing: Tape Reel

UNLESS OTHERWISE SPECIFIED TOLERANCE 2 PLACE ±0.15 1 PLACE ±0.25 ANGULAR: X°±2°		 CHANT SINCERE CO., LTD TEL: 886-02-86471251 FAX: 886-02-86472962	
SCALE: AS SHOWN	UNIT: mm		
DRAWN PEARL	08/11/2016	DRAWN NAME: MINI SAS HD R/A 1X1 WITH CAGE ASSY 4/4	
CHECKED	/ /	PRODUCT NO. 334GHA1BDTC171A3	
APPROVED	/ /	FILE NAME: 334GHA1BDTC171A3(X8)	
REV.	DESCRIPTION	DATE	 SIZE A4 REV. X2

REV.	DESCRIPTION	DATE
1		
2		
3		
4		
5		
6		
7		