

Features:

- Material: UL 94V-0 nylon 66
- Standard color: White
- Accepts 313A(B100) terminal
- Mates with 311A(B1S3), 311A(B1R3) headers

Specification:

- Current rating: 3A AC, DC
- Voltage rating: 250V AC, DC
- Insulation resistance: 1000M Ω Max.
- Dielectric withstanding voltage: 800V AC/minute
- Temperature range: -25°C ~ 85°C
(Including temperature rise)

PART NO.

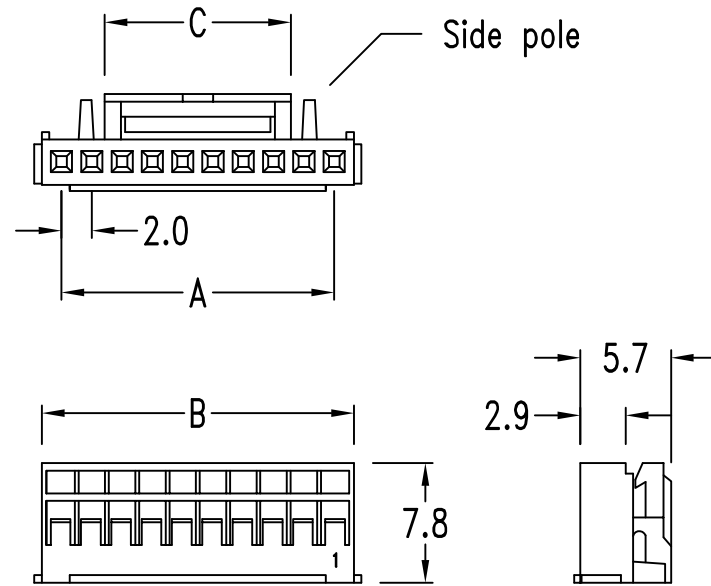
$\frac{312}{1} \frac{A}{2} \frac{E}{3} \frac{XX}{4} \frac{F}{5} \frac{A}{6} \frac{0}{7} \frac{B1}{8} \frac{0}{9} \frac{X}{10} \frac{D}{11} \frac{1}{12}$

- | | |
|--------------------|--------------------|
| 1.SERIES NO. | 8.PITCH OPTION |
| 2.TYPE A=Standard | B1=2.0mm |
| 3.GREEN OPTION | 9.FILL IT WITH "0" |
| E=RoHS | 10.PROCESS OPTION |
| 4.CONTACT NO. | 0=W/O Side Pole |
| 02~16 | 1=W/Side Pole |
| 5.CONTACT TYPE | 11.PACKAGE OPTION |
| F=Female | D=Bag |
| 6.ROW TYPE | 12.INSULATOR COLOR |
| A=Single Row | 1=White |
| 7.FILL IT WITH "0" | |

Ordering Information

Part No.	Feature
312AEXXFA0B100D1	Without side pole
312AEXXFA0B101D1	With side pole

xx = 02 ~ 16



Dimensional Information (mm)

POSITION	Dim. A	Dim. B	Dim. C	POSITION	Dim. A	Dim. B	Dim. C	POSITION	Dim. A	Dim. B	Dim. C	POSITION	Dim. A	Dim. B	Dim. C
2	2.0	4.6	2.3	6	10.0	12.6	8.3	10	18.0	20.6	12.3	14	26.0	28.6	16.2
3	4.0	6.6	2.3	7	12.0	14.6	10.3	11	20.0	22.6	16.2	15	28.0	30.6	16.2
4	6.0	8.6	4.3	8	14.0	16.6	12.3	12	22.0	24.6	16.2	16	30.0	32.6	16.2
5	8.0	10.6	4.3	9	16.0	18.6	12.3	13	24.0	26.6	16.2				

UNLESS OTHERWISE SPECIFIED TOLERANCE	
.0	±0.25
.00	±0.15
.000	±0.05

SCALE: AS SHOWN UNIT: mm

DRAWN PEARL 10/04/13

CHECKED / /

APPROVED / /

SIZE A4 REV. X1



CHANT SINCERE CO., LTD
TEL:886-02-86471251 FAX:886-02-86472962

DRAWN NAME: Wafer Hasing Pitch
2.0mm

PRODUCT No. 312AEXXFA0B10XD1

FILE NAME: 312AEXXFA0B10XD1(W3)

REV.	DESCRIPTION	DATE
1		
2		
3		
4		
5		
6		
7		