

Features:

- Integrally molded polarization
- Material: UL 94V-0
- Accepts 313A(F101~03) terminals
- Friction lock
- Standard color: Nature
- Recommended panel thickness: .030" ~ .090"(0.762 ~ 2.286mm)

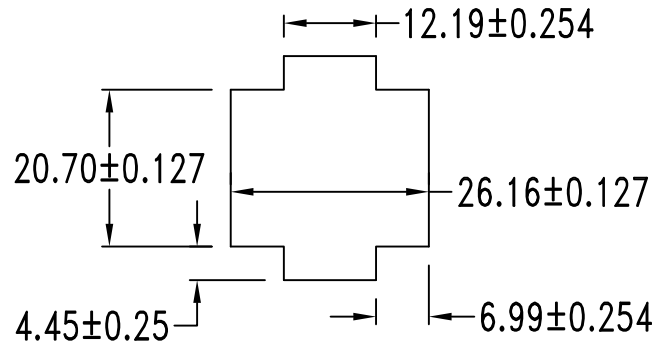
Specifications:

- Current rating: 11A
- Voltage rating: 600V
- Insulation resistance: 1000MΩ min.
- Dielectric withstanding voltage: 5000V AC/minute
- Ambient temperature range: -55°C ~ 105°C

PART NO.

312 A E 09 X C 0 F1 0 0 D 9
1 2 3 4 5 6 7 8 9 10 11 12

- | | |
|--------------------------------------|---|
| 1.SERIES NO. | 8.PITCH OPTION |
| 2.TYPE A=Standard | F1=6.35mm |
| 3.GREEN OPTION
E=RoHS | 9.FILL IT WITH "0" |
| 4.CONTACT NO.
02 | 10.PROCESS OPTION
0=NON Distribution |
| 5.CONTACT TYPE
M=Male
F=Female | 11.PACKAGE OPTION
D=Bag |
| 6.ROW TYPE
C=Three Row | 12.INSULATOR COLOR
9=Transparency |
| 7.FILL IT WITH "0" | |



&& Panel must be punched so that housing enters panel in same direction as the punch.

UNLESS OTHERWISE SPECIFIED TOLERANCE		 CHANT SINCERE CO., LTD TEL:886-02-86471251 FAX:886-02-86472962
.0	±0.40	
.00	±0.25	
.000	±0.08	
SCALE: AS SHOWN	UNIT: mm	DRAWN NAME:
DRAWN PEARL	10/04/13	Wafer Hosing Pitch
CHECKED	/ /	6.35mm
APPROVED	/ /	PRODUCT NO:
		312AE09XC0F100D9
		FILE NAME:
		312AE09XC0F100D9(W3)

REV.	DESCRIPTION	DATE	SIZE	REV.
1			A4	X1