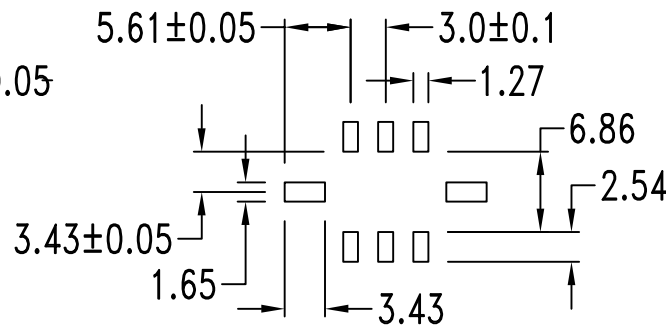


PCB Layout: Component side



PCB Layout: Component side

Dimensional Information

Circuits	Dim. A	Dim. B	Circuits	Dim. A	Dim. B	Circuits	Dim. A	Dim. B
2		6.65	6	6.0	12.65	10	12.0	18.65
4	3.0	9.65	8	9.0	15.65	12	15.0	21.65

Circuits	Dim. A	Dim. B	Circuits	Dim. A	Dim. B	Circuits	Dim. A	Dim. B
14	18.0	24.65	18	24.0	30.65	22	30.0	36.65
16	21.0	27.65	20	27.0	33.65	24	33.0	39.65

Features:

- 2 ~ 24 circuits available
- Material: LCP
- Tin-plated brass pin
- Mates with 312A(C103)Male housing

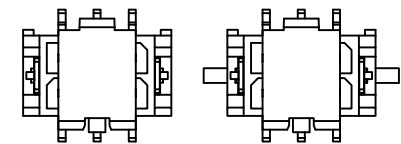
Specification:

- Current rating: 5A AC, DC
- Voltage rating: 250V AC, DC
- Contact resistance: 10mΩ Max.
- Dielectric withstanding voltage: 1500V AC/minute
- Ambient temperature range: -25°C ~ 85°C

PART NO.

$\frac{311}{1} \frac{D}{2} \frac{E}{3} \frac{XX}{4} \frac{M}{5} \frac{B}{6} \frac{T}{7} \frac{C1}{8} \frac{S}{9} \frac{X}{10} \frac{X}{11} \frac{3}{12}$

- | | |
|-------------------|-----------------------|
| 1.SERIES NO. | 8.PITCH OPTION |
| 2.TYPE D=SMT | C1=3.0mm |
| 3.GREEN OPTION | 9.CONTACT OPTION |
| E=RoHS | S=Straight |
| 4.CONTACT NO. | 10.PROCESS OPTION |
| 02~24 | 5=TYPE 2(W/SMT Pad) |
| 5.CONTACT TYPE | 6=TYPE 2(W/Boardlock) |
| M=Male | 11.PACKAGE OPTION |
| 6.ROW TYPE | C=Tape Reel |
| B=Dual Row | D=Bag |
| 7.CONTACT PLATING | 12.INSULATOR COLOR |
| T=Tin Plated | 3=Black |



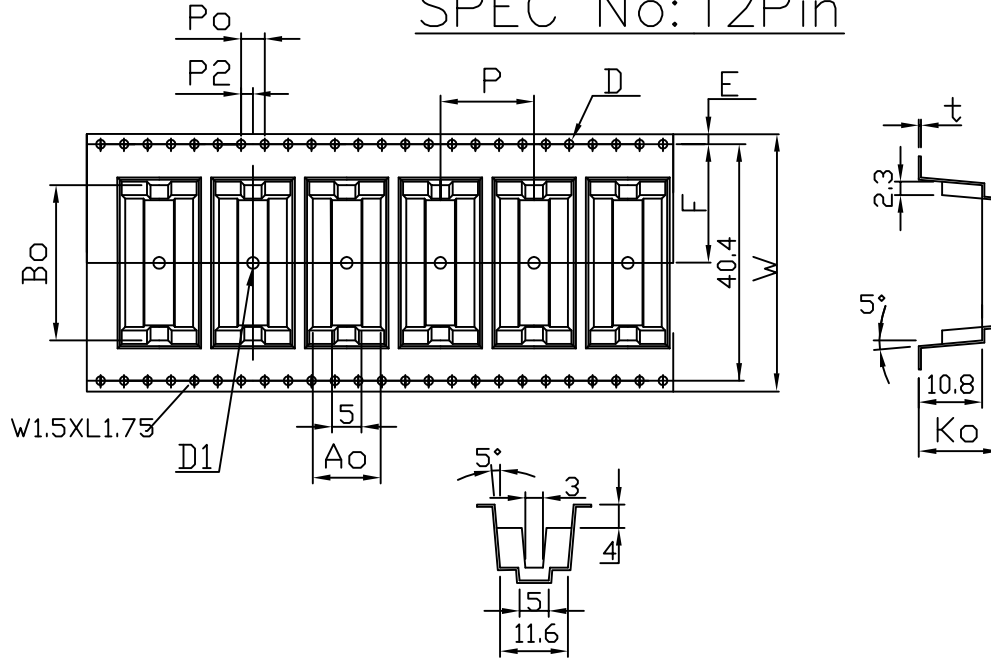
Shown with disposable cap

UNLESS OTHERWISE SPECIFIED TOLERANCE		
.0	±0.25	
.00	±0.15	CHANT SINCERE CO., LTD TEL:886-02-86471251 FAX:886-02-86472962
.000	±0.05	
SCALE: AS SHOWN	UNIT: mm	DRAWN NAME: WAFER SMT Pitch 3.0mm 1/4
DRAWN PEARL	10/11/2016	
CHECKED	/ /	PRODUCT NO. 311DEXXMBTC1SXX3
APPROVED	/ /	
REV.	SIZE A4	FILE NAME: 311DEXXMBTC1S5X3(W3)

REV.	DESCRIPTION	DATE	SIZE	REV.
1			A4	x4

SALES LEADS AND PRODUCT REQUEST FORM

SPEC No: 12Pin



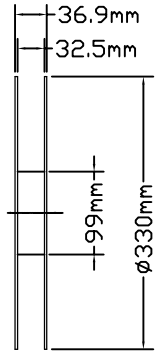
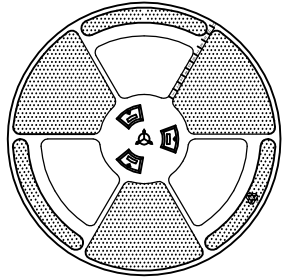
ITEM	SPEC
W	44.00 ^{+0.30} / _{-0.30}
Ao	11.60 ^{+0.10} / _{-0.10}
Bo	26.50 ^{+0.10} / _{-0.10}
Ko	14.00 ^{+0.10} / _{-0.10}
P	16.00 ^{+0.10} / _{-0.10}
F	20.20 ^{+0.10} / _{-0.10}
E	1.75 ^{+0.10} / _{-0.10}
D	1.50 ^{+0.10} / _{-0.00}
D1	2.00 ^{+0.25} / _{-0.00}
Po	4.00 ^{+0.10} / _{-0.10}
P2	2.00 ^{+0.10} / _{-0.10}
t	0.40 ^{+0.05} / _{-0.05}

NOTE:

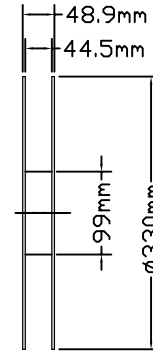
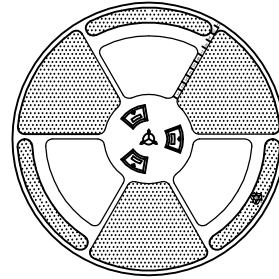
- 1.10 Sprocket hole pitch cumulative tolerance $\pm 0.2\text{mm}$.
2. Carrier camber is within 1mm in 250mm
3. Material: Black Conductive Polystyrene Alloy.
4. Ao and Bo measured on a plane 0.3mm above the bottom of the pocket.
5. Ko measured from a plane on the inside bottom of the pocket to the top surface of the carrier.
6. Pocket position relative to sprocket hole measured as true position of pocket, not pocket hole.

UNLESS OTHERWISE SPECIFIED TOLERANCE			
.0 ± 0.25		CHANT SINCERE CO., LTD	
.00 ± 0.15		TEL: 886-02-86471251 FAX: 886-02-86472962	
.000 ± 0.05			
SCALE: AS SHOWN	UNIT: mm	DRAWN NAME:	
DRAWN PEARL	10/11/2016	WAFER SMT Pitch 3.0mm	
CHECKED	/ /	12Pin Packing 3/4	
APPROVED	/ /	PRODUCT NO. 311DEXXMBTC1SXC3	
SIZE A4 REV. x4		FILE NAME: 311DE12MBTC1S5C3(W3)	

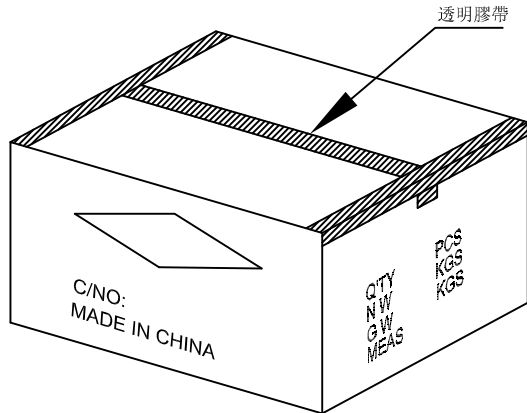
REV.	DESCRIPTION	DATE	SIZE	REV.
1			A4	x4




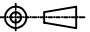
06P=300pcs/Reel, 5Reel/Carton



12P=300pcs/Reel, 4Reel/Carton



(Carton=355*285*370mm)

UNLESS OTHERWISE SPECIFIED TOLERANCE		 CHANT SINCERE CO., LTD TEL:886-02-86471251 FAX:886-02-86472962	
.0	±0.25		
.00	±0.15		
.000	±0.05		
SCALE: AS SHOWN	UNIT: mm	DRAWN NAME: WAFER SMT Pitch 3.0mm 06P & 12P Packing 4/4 PRODUCT NO. 311DEXXMBTC1SXC3 FILE NAME: 311DEXXMBTC1S5C3(W3)	
DRAWN PEARL	10/11/2016		
CHECKED	/ /		
APPROVED	/ /		
REV.	DESCRIPTION	DATE	 SIZE A4 REV. x4