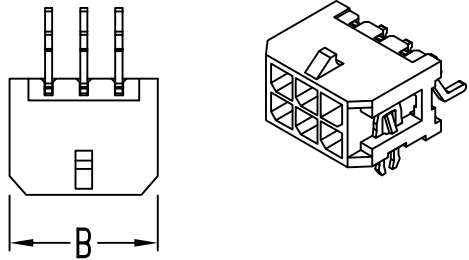
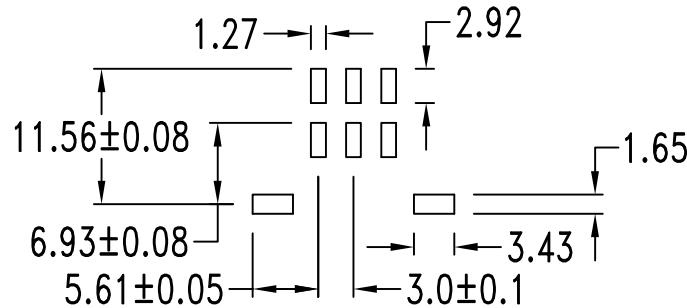
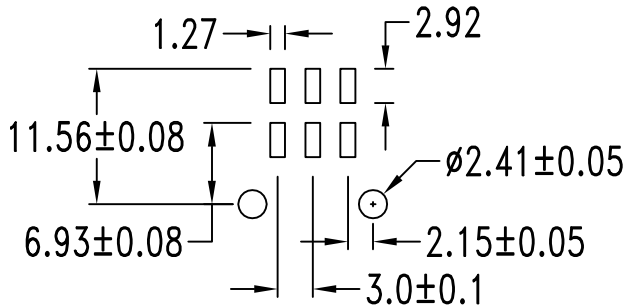
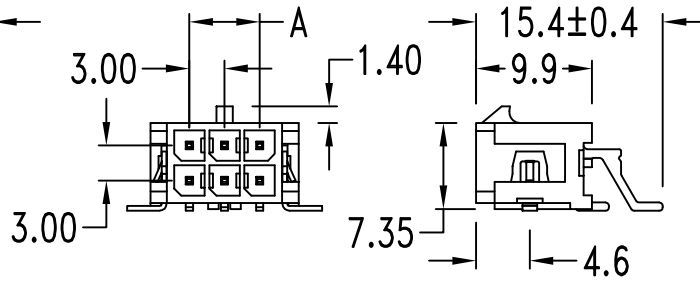
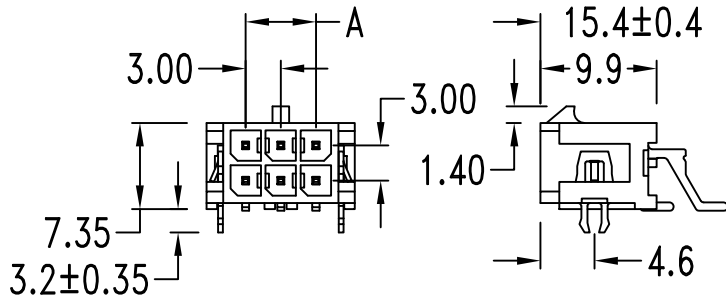
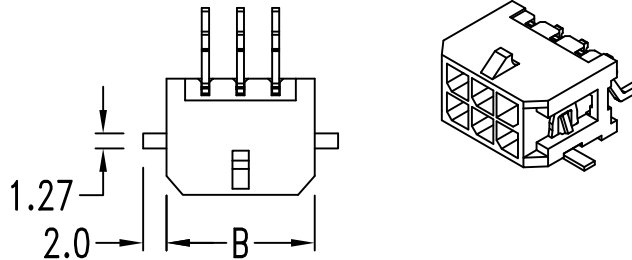


TYPE 2(W/Boardlock)



TYPE 2(W/SMT Pad)



PCB Layout: Component side

PCB Layout: Component side

Dimensional Information

Circuits	Dim. A	Dim. B	Circuits	Dim. A	Dim. B	Circuits	Dim. A	Dim. B
2		6.65	6	6.0	12.65	10	12.0	18.65
4	3.0	9.65	8	9.0	15.65	12	15.0	21.65

Circuits	Dim. A	Dim. B	Circuits	Dim. A	Dim. B	Circuits	Dim. A	Dim. B
14	18.0	24.65	18	24.0	30.65	22	30.0	36.65
16	21.0	27.65	20	27.0	33.65	24	33.0	39.65

Features:

- 2 ~ 24 circuits available
- Material: LCP
- Tin-plated brass pin
- Mates with 312A(C103)Male housing

Specification:

- Current rating: 5A AC, DC
- Voltage rating: 250V AC, DC
- Contact resistance: 10mΩ Max.
- Dielectric withstanding voltage: 1500V AC/minute
- Ambient temperature range: -25°C ~ 85°C

PART NO.

311 D E XX M B T C1 R X D 3
1 2 3 4 5 6 7 8 9 10 11 12

- | | |
|-------------------|-----------------------|
| 1.SERIES NO. | 8.PITCH OPTION |
| 2.TYPE D=SMT | C1=3.0mm |
| 3.GREEN OPTION | 9.CONTACT OPTION |
| E=RoHS | R=Right Angle |
| 4.CONTACT NO. | 10.PROCESS OPTION |
| 02~24 | 5=TYPE 2(W/SMT Pad) |
| 5.CONTACT TYPE | 6=TYPE 2(W/Boardlock) |
| M=Male | 11.PACKAGE OPTION |
| 6.ROW TYPE | D=Bag |
| B=Dual Row | 12.INSULATOR COLOR |
| 7.CONTACT PLATING | 3=Black |
| T=Tin Plated | |

UNLESS OTHERWISE SPECIFIED TOLERANCE		
.0	±0.25	
.00	±0.15	CHANT SINCERE CO., LTD TEL:886-02-86471251 FAX:886-02-86472962
.000	±0.05	
SCALE: AS SHOWN	UNIT: mm	DRAWN NAME:
DRAWN PEARL	08/11/2016	WAFER SMT Pitch 3.0mm
CHECKED		PRODUCT NO.
APPROVED		311DEXXMBTC1RXD3
		FILE NAME:
		311DEXXMBTC1R5D3(W3)

REV.	DESCRIPTION	DATE	SIZE	REV.
1			A4	X2