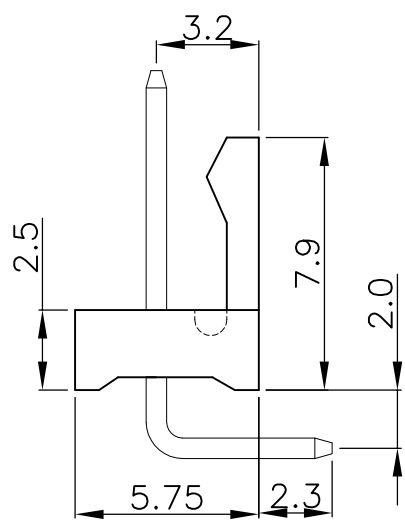
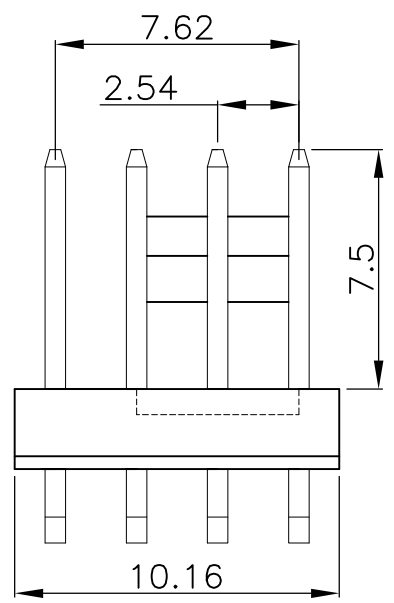


RECOMMENDED P.C. BOARD HOLE DIMM.



Material: Nylon 6/6, UL 94V-2, White  
 Conductor: SQ0.64\*16.9mm, Brass, Tin-Plated  
 Mate with 312A(B30X)

Voltage Rating: 250V AC/DC  
 Current Rating: 3.0A AC/DC  
 Withstand Voltage: 1000V AC/Minute  
 Contact Resistance: 20mΩ  
 Insulation Resistance: 1000MΩ

PART NO.

311 A E XX M A T B3 R 4 D 1  
 1 2 3 4 5 6 7 8 9 10 11 12

- |                   |                    |
|-------------------|--------------------|
| 1.SERIES NO.      | 8.PITCH OPTION     |
| 2.TYPE D=DIP      | B3=2.54mm          |
| 3.GREEN OPTION    | 9.CONTACT OPTION   |
| E=RoHS            | R=Right Angle      |
| 4.CONTACT NO.     | 10.PROCESS OPTION  |
| 02~04             | 4=TYPE 4           |
| 5.CONTACT TYPE    | 11.PACKAGE OPTION  |
| M=Male            | D=Bag              |
| 6.ROW TYPE        | 12.INSULATOR COLOR |
| A=Single Row      | 1=White            |
| 7.CONTACT PLATING |                    |
| T=Tin Plated      |                    |

UNLESS OTHERWISE SPECIFIED TOLERANCE	
X.	±2°
.0	±0.30
.00	±0.20
.000	±0.10

SCALE: AS SHOWN	UNIT: mm
DRAWN PEARL	10/17/13
CHECKED	/ /
APPROVED	/ /



CHANT SINCERE CO., LTD  
 TEL:886-02-86471251 FAX:886-02-86472962

DRAWN NAME:	WAFER Pitch 2.54mm
PRODUCT NO.	311AEXXMATB3R4D1
FILE NAME:	311AEXXMATB3R4D1(W3)

REV.	DESCRIPTION	DATE