

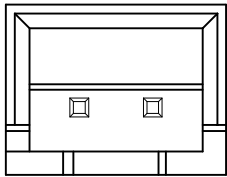
Material: Nylon 6/6, UL 94V-2, White
 Conductor: SQ0.64, Brass, Tin-Plated
 Mate with 312A(B20X)

PART NO.

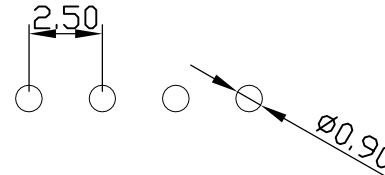
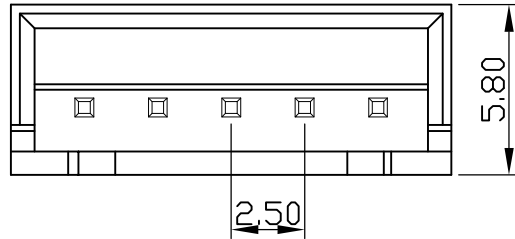
311 A E XX M A T B2 S 4 D 1
 1 2 3 4 5 6 7 8 9 10 11 12

- | | |
|-------------------|--------------------|
| 1.SERIES NO. | 8.PITCH OPTION |
| 2.TYPE D=DIP | B2=2.5mm |
| 3.GREEN OPTION | 9.CONTACT OPTION |
| E=RoHS | S=Straight |
| 4.CONTACT NO. | 10.PROCESS OPTION |
| 02~16 | 4=TYPE 4 |
| 5.CONTACT TYPE | 11.PACKAGE OPTION |
| M=Male | D=Bag |
| 6.ROW TYPE | 12.INSULATOR COLOR |
| A=Single Row | 1=White |
| 7.CONTACT PLATING | |
| T=Tin Plated | |

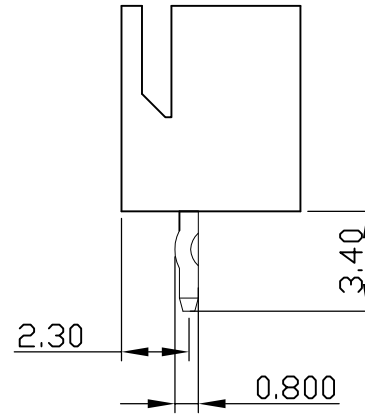
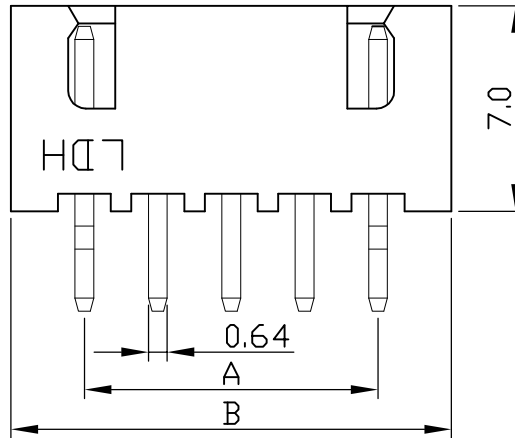
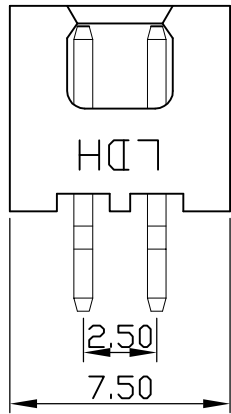
2P



3~16P



RECOMMENDED P.C.BOARD
 HOLE DIMM.



POSITION	Dim. A	Dim. B
2	2.50	7.50
3	5.00	10.00
4	7.50	12.50
5	10.00	15.00
6	12.50	17.50
7	15.00	20.00
8	17.50	22.50
9	20.00	25.00
10	22.50	27.50
11	25.00	30.00
12	27.50	32.50
13	30.00	35.00
14	32.50	37.50
15	35.00	40.00
16	37.50	42.50

UNLESS OTHERWISE SPECIFIED TOLERANCE	
X.	±2
.0	±0.30
.00	±0.20
.000	±0.10

SCALE: AS SHOWN UNIT: mm

DRAWN PEARL 10/17/13

CHECKED / /

APPROVED / /

DATE SIZE A4 REV. X1



CHANT SINCERE CO., LTD
 TEL:886-02-86471251 FAX:886-02-86472962

DRAWN NAME:
 WAFER Pitch 2.5mm

PRODUCT NO. 311AEXXMATB2S4D1

FILE NAME: 311AEXXMATB2S4D1(W3)

REV.

DESCRIPTION

DATE



SIZE

REV. X1

FILE NAME:

311AEXXMATB2S4D1(W3)