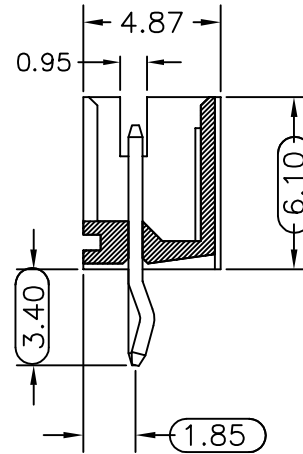


Recommended P.C.B Layout



**MATERIAL**

Insulator : NY66+30% Glass fiber  
 Contact Pin : Brass  
 Contact Plated : Tin Plated

**SPECIFICATION**

Current Rate : 2 AMP  
 Dielectric voltage : 800V AC for one minute  
 Insulation Resistance : 1000MΩMin.  
 Contact Resistance : 20mΩMax  
 Operation Temperature : -25°C to + 85°C

PART NO.

311 A E XX M A T B1 S 1 D 1 \_ \_  
 1 2 3 4 5 6 7 8 9 10 11 12

- |                   |                    |
|-------------------|--------------------|
| 1.SERIES NO.      | 8.PITCH OPTION     |
| 2.TYPE D=DIP      | B1=2.0mm           |
| 3.GREEN OPTION    | 9.CONTACT OPTION   |
| E=RoHS            | S=Strait           |
| 4.CONTACT NO.     | 10.PROCESS OPTION  |
| 02~16             | 1=Type 1           |
| 5.CONTACT TYPE    | 11.PACKAGE OPTION  |
| M=Male            | D=Bag              |
| 6.ROW TYPE        | 12.INSULATOR COLOR |
| A=Single Row      | 1=White            |
| 7.CONTACT PLATING |                    |
| T=Tin Plated      |                    |

POLES	DIM A	DIM B
2	2.00	6.00
3	4.00	8.00
4	6.00	10.00
5	8.00	12.00
6	10.00	14.00
7	12.00	16.00
8	14.00	18.00
9	16.00	20.00
10	18.00	22.00
11	20.00	24.00
12	22.00	26.00
13	24.00	28.00
14	26.00	30.00
15	28.00	32.00
16	30.00	34.00

UNLESS OTHERWISE SPECIFIED TOLERANCE  
 ANG.=±3°  
 .0 =±.30  
 .00 =±.20



**CHANT SINCERE CO.,LTD**  
 TEL: 886-02-86471251 FAX: 886-02-86472962

For SIP

SCALE: AS SHOWN UNIT: mm  
 DRAWN PEARL 03/14/2016  
 CHECKED / /  
 APPROVED / /

DRAWN NAME:  
 WAFER Pitch 2.0mm  
 PRODUCT NO. 311AEXXMATB1S1D1  
 FILE NAME: 311AEXXMATB1S1D1(P)

REV.	DESCRIPTION	DATE	SIZE	REV.
			A4	X1