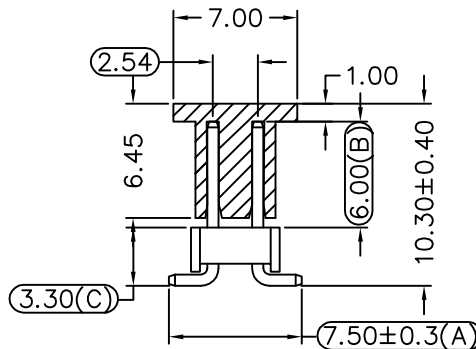


Recommended P.C.B Layout
TOLERANCES: ±0.05mm



MATERIAL

Contact Pin : Brass

SPECIFICATION

Current Rate : 3 AMP
Insulation Resistance : 5000MΩMin. at DC 500V
Contact Resistance : 20mΩMax. at DC 100mA
Dielectric Voltage : AC 500V for one minute

PART NO.

307 D X XX X X B S 01 X X 3
1 2 3 4 5 6 7 8 9 10 11 12

- | | |
|-------------------------|---------------------|
| 1.SERIES NO. | 7.ROW TYPE: |
| 2.TYPE: D=SMT | B=Dual Row |
| 3.GREEN OPTION: | 8.CONTACT OPTION: |
| E=RoHS(Bright) | S=Straight |
| 4.CONTACT NUMBER: | 9.CONTACT LENGTH: |
| 02~80 | 01=01 TYPE |
| 5.CONTACT TYPE: | 10.CONTACT OPTION: |
| R=Male(PA6T) | 0=W/O PAD,W/O PEG |
| 6.CONTACT AREA PLATING: | (Fully Loaded) |
| G=Gold Flash 1u" | 1=W/PAD,W/O PEG |
| | (Fully Loaded) |
| | 11.PACKAGE OPTION: |
| | B=Tube |
| | C=Tape Reel |
| | D=Bag |
| | 12.INSULATOR COLOR: |
| | 3=Black |

DIM A	DIM B	DIM C
7.50	6.00	3.30

UNLESS OTHERWISE SPECIFIED TOLERANCE	
ANG.	±3°
0.	±0.5
.0	±0.3
.00	±0.2

SCALE: AS SHOWN UNIT: mm

DRAWN PEARL 03/16/2017

CHECKED

APPROVED



CHANT SINCERE CO., LTD
TEL: 886-02-86471251 FAX: 886-02-86472962

DRAWN NAME:
PIN HEADER 2.54*2.54mm
SMT S/T TYPE, DUAL ROWS

PRODUCT NO. 307DXXXXXBS01XX3

FILE NAME: 307DFXXRXBS01XX3(P)

REV.	DESCRIPTION	DATE	SIZE	REV.
1			A4	C