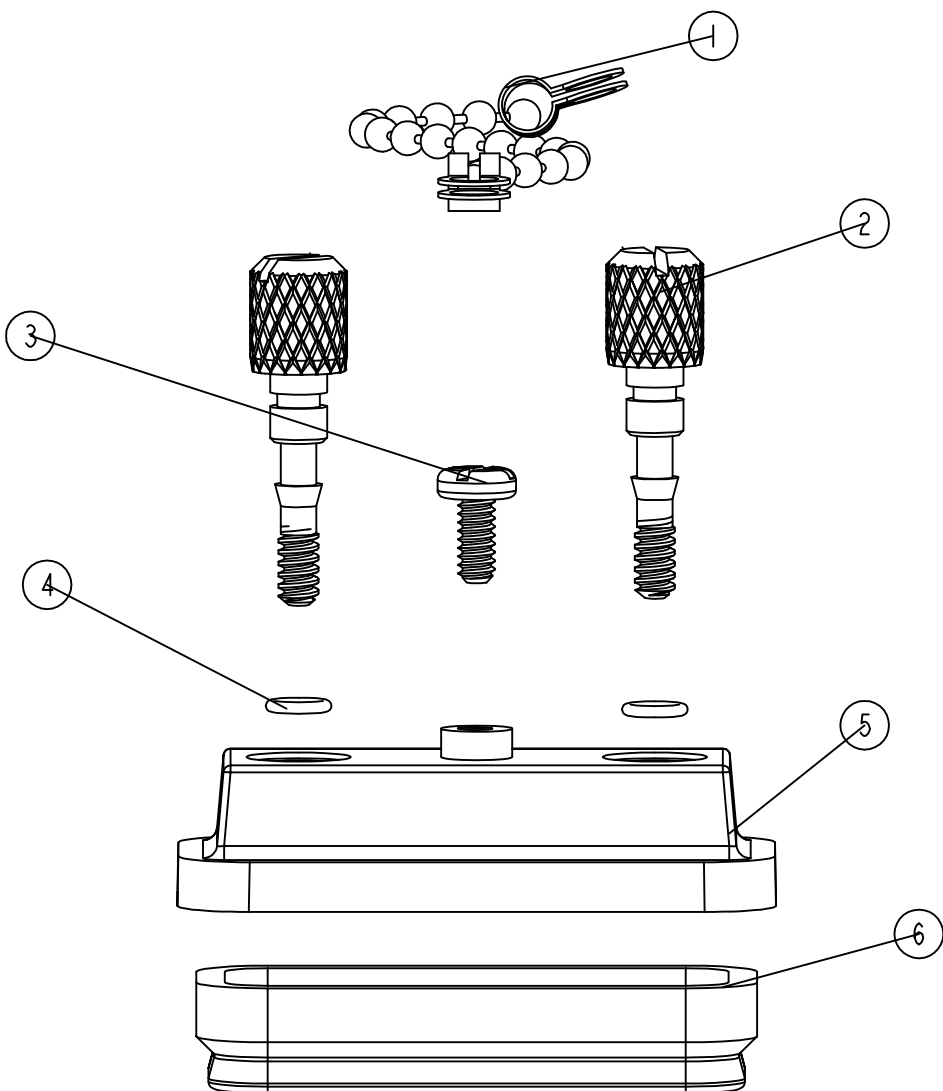
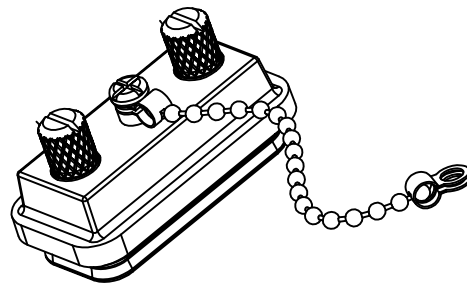


Part no.

249 A E 00 P 0 0 AG 0 2 D 3  
 1 2 3 4 5 6 7 8 9 10 11 12

- |                                       |                                 |
|---------------------------------------|---------------------------------|
| 1.SERIES NO.                          | 8.APPLY TYPE:<br>AG=D-SUB       |
| 2.TYPE: A=Standard                    | 9.SHELL PLATING:<br>0=W/O SHELL |
| 3.GREEN OPTION:<br>E=RoHS             | 10.TYPE:<br>2=DUST CAP          |
| 4.CONTACT NUMBER:<br>09 15 25 37      | 11.PACKING STYLE:<br>D=BAG      |
| 5.CONTACT TYPE:<br>P=NON DISTRIBUTION | 12.INSULATOR COLOR:<br>3=Black  |
| 6.FILL IT WITH "0"                    |                                 |
| 7.FILL IT WITH "0"                    |                                 |



編碼	品名	材質	Plating
1	珠鍊夾子	Stainless,Fe	2u" Nickel Plated
2	卡槽螺絲S	Fe	100u" Nickel Plated
3	螺絲	Fe	100u" Nickel Plated
4	軟膠4	Silicone	
5	上護蓋	PBT	
6	軟膠1	Silicone	

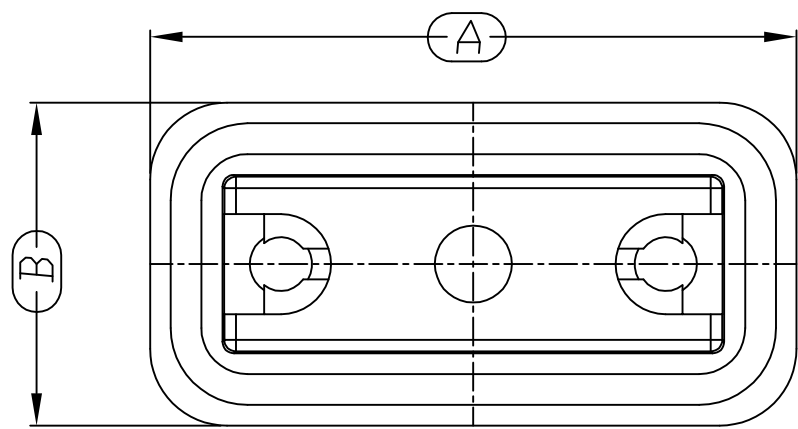
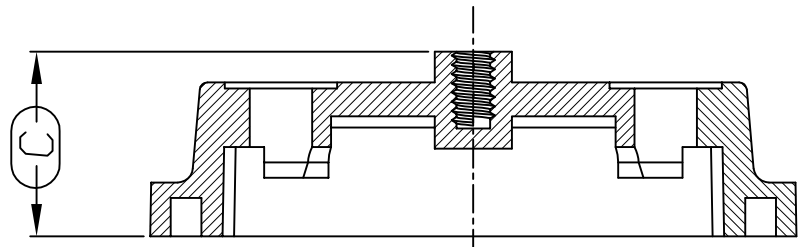
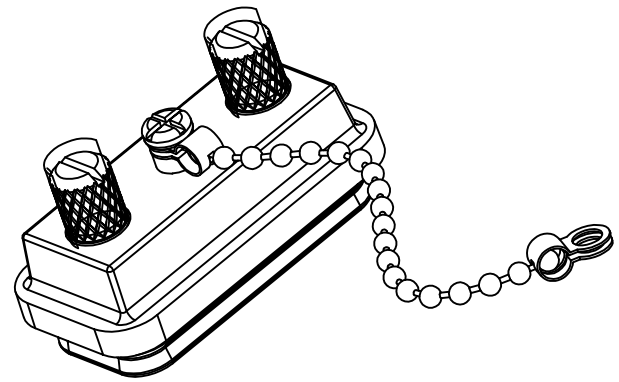
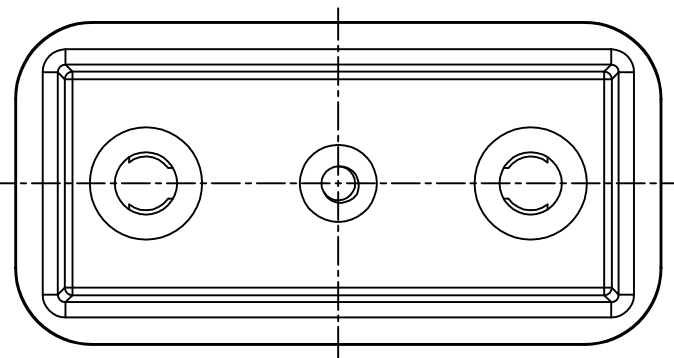
UNLESS OTHERWISE SPECIFIED TOLERANCE	
ANG.	±5°
0.	±0.5
.0	±0.3
.00	±0.2
SCALE: AS SHOWN	UNIT: mm



**CHANT SINCERE CO.,LTD**  
 TEL:886-02-86471251 FAX:886-02-86472962

DRAWN	PEARL	09/13/13	DRAWN NAME:
CHECKED	/ /		D-SUB WATER PROOF DUST CAP 1/2
APPROVED	/ /		PRODUCT NO. 249AEXXP00AG02D3
			FILE NAME: 249AEXXP00AG02D3(J01)

REV.	DESCRIPTION	DATE	SIZE	REV.
1			A4	B



PIN. NO	A	B	C
09 PIN	42.00	21.00	12.00
15 PIN	50.32	21.00	12.00
25 PIN	64.04	21.00	12.00
37 PIN	80.50	21.00	12.00
50 PIN	78.30	24.00	12.00

UNLESS OTHERWISE SPECIFIED TOLERANCE  
 ANG. ±5'  
 0. ±0.5  
 .0 ±0.3  
 .00 ±0.2



**CHANT SINCERE CO., LTD**  
 TEL:886-02-86471251 FAX:886-02-86472962

SCALE: AS SHOWN UNIT: mm  
 DRAWN PEARL 09/13/13  
 CHECKED / /  
 APPROVED / /

DRAWN NAME:  
 D-SUB WATER PROOF DUST CAP 2/2  
 PRODUCT NO. 249AEXXP00AG02D3  
 FILE NAME: 249AEXXP00AG02D3(J01)

REV.	DESCRIPTION	DATE



SIZE A4 REV. B